

## ASSEMBLY INSTRUCTION

VH1890 - INDUSTRIAL CHARMS NOOK TABLE

VH8090 - OZARKS NOOK TABLE

VH9090 - SANDY BEACH NOOK TABLE

### IMPORTANT SAFETY CONSTRUCTION

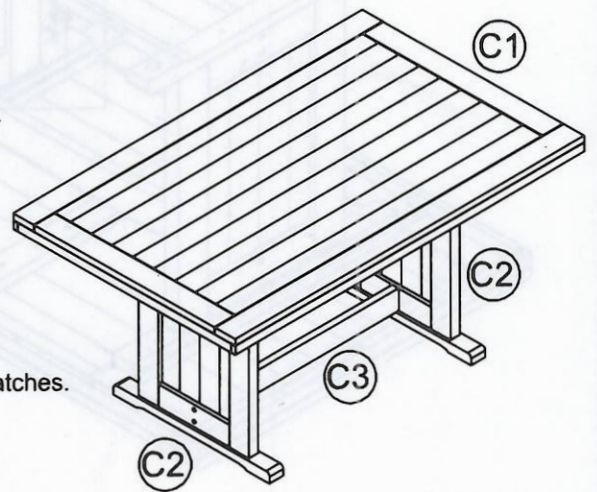
Thank you for purchasing this quality product. Be sure to check all packing material carefully for small parts that may have come loose inside the carton during shipment. Please read all instruction carefully before assembling. For your safety, assembly by two people is recommended.

#### PARTS INCLUDED:

- (1) Table Top (C1)
- (2) Side panel (C2)
- (2) Crossbar (C3)

#### HARDWARE ENCLOSED:

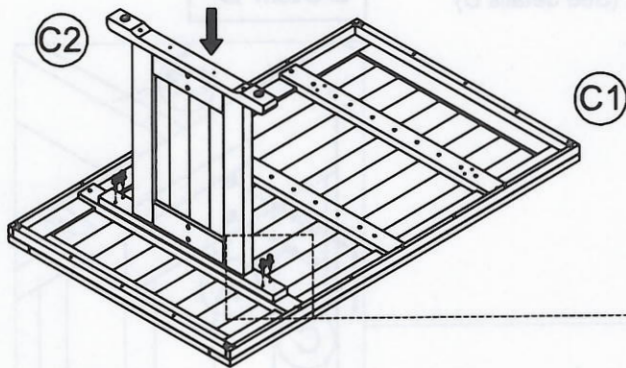
- A x 8  Ø6 x 60mm
- B x 8  Ø6 x 45mm
- C x 1  M4



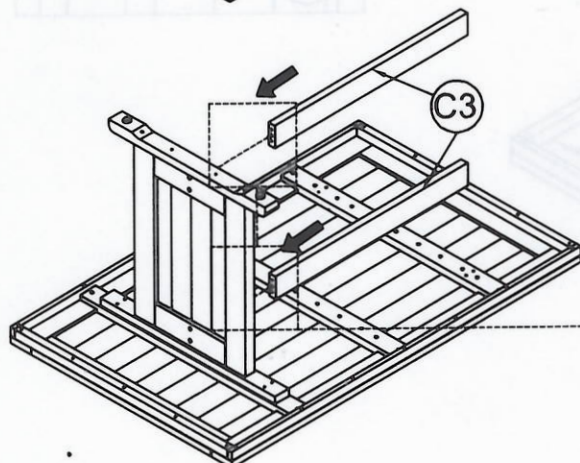
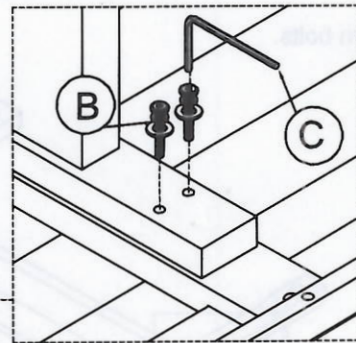
### ASSEMBLY INSTRUCTIONS

#### STEP 1:

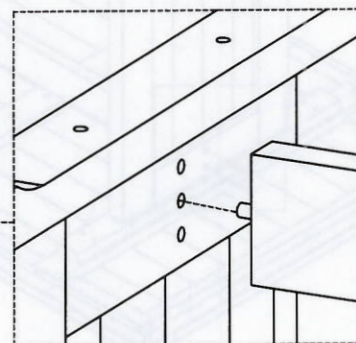
- Carefully place the Side Panel (C1) on a smooth flat surface to avoid scratches.
- Attach the side panel (C2) by mounting the bolts (B) (See details A).
- Carefully Insert the crossbar (C3) into the side panel (C2) (see Detail B).



Detail A

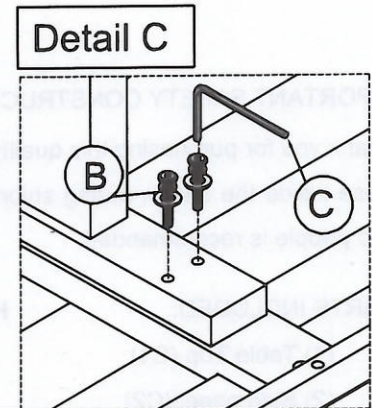
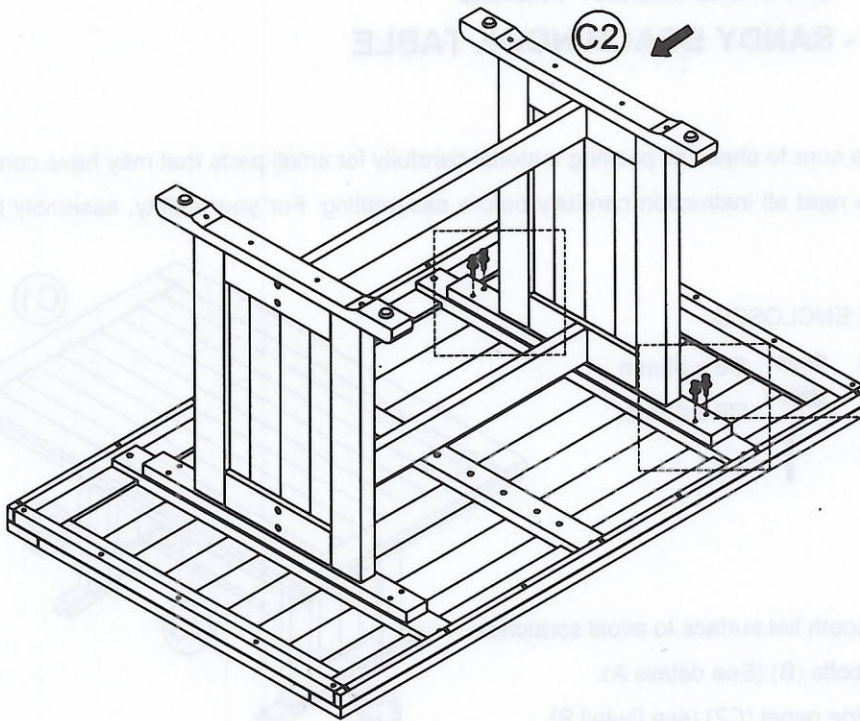


Detail B



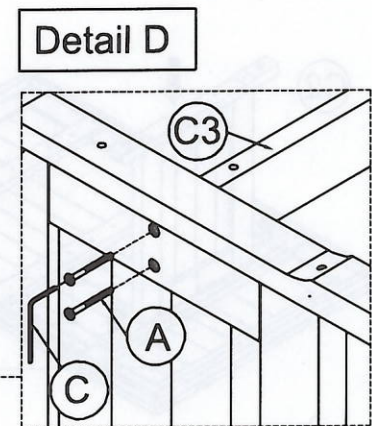
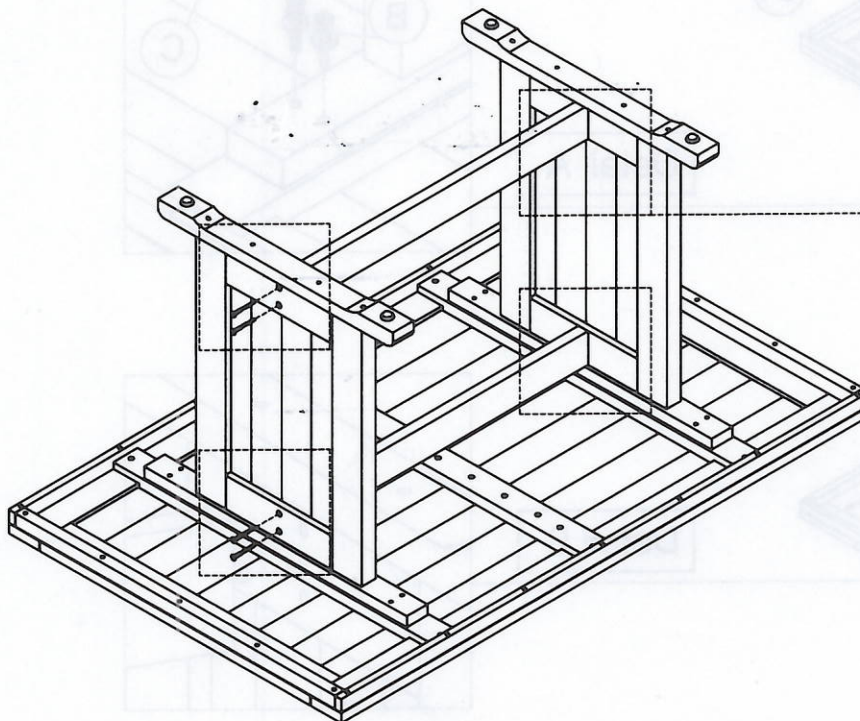
**STEP 2:**

- Attach the side panel (C2) into (C3) and (C1) . After attach (C2) and (C1) by mounting the bolts (B) . (See details C)
- Tighten bolts.



**STEP 3:**

- Attach the side panel (C2) into (C3) by mounting the bolts (A) . (See details D)
- Tighten bolts.



**NOTES:**

The use of power tools for assembly is not recommended. Power tools can damage hardware or split wood.

## ASSEMBLY INSTRUCTION

VH1894-1- INDUSTRIAL CHARMS NOOK CORNER BENCH

VH8094-1- OZARKS NOOK CORNER BENCH

VH9094-1- SANDY BEACH NOOK CORNER BENCH



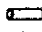

### IMPORTANT SAFETY CONSTRUCTION

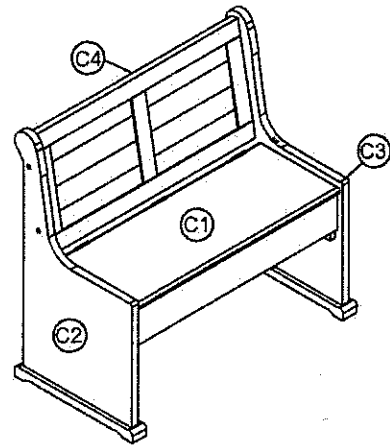
Thank you for purchasing this quality product. Be sure to check all packing material carefully for small parts that may have come loose inside the carton during shipment. Please read all instruction carefully before assembling. For your safety, assembly by two people is recommended.

### PARTS INCLUDED:

- (1) Short Seat Bench (C1)
- (1) Left Leg (C2)
- (1) Right Leg (C3)
- (1) Short Backrest (C4)

### HARDWARE ENCLOSED:

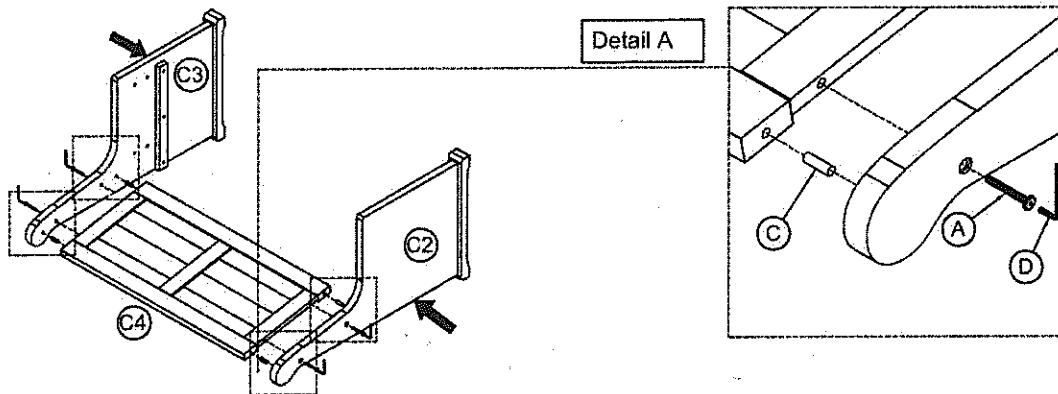
- A x 4  Ø6 x 50mm
- B x 8  Ø6 x 35mm
- C x 4  Ø8 x 30mm
- D x 1  M4



### ASSEMBLY INSTRUCTIONS

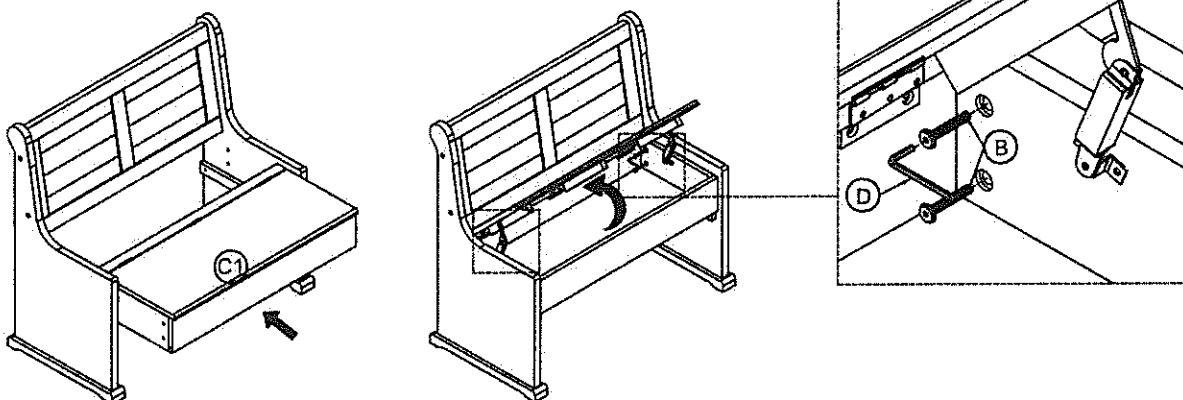
#### STEP 1:

- Carefully place Left Leg (C2) and Right Leg (C3) on a smooth flat surface to avoid scratches.
- Attached Wooden Dowel (C) to the Backrest (C4); and then Assemble to the Leg (C2) & (C3) by inserting Bolts (A) (See details A).
- DO NOT fully tighten at this stage until all parts are in place.



#### STEP 2:

- Carefully turn up the Legs and Backrest per illustration.
- Attached the Seating Bench (C1) to the Legs by using the Bolt (B).
- Fully tighten all bolts once all parts are in place.



NOTES:

## ASSEMBLY INSTRUCTION

VH1894-2- INDUSTRIAL CHARMS NOOK CORNER BENCH

VH8094-2- OZARKS NOOK CORNER BENCH

VH9094-2- SANDY BEACH NOOK CORNER BENCH






### IMPORTANT SAFETY CONSTRUCTION

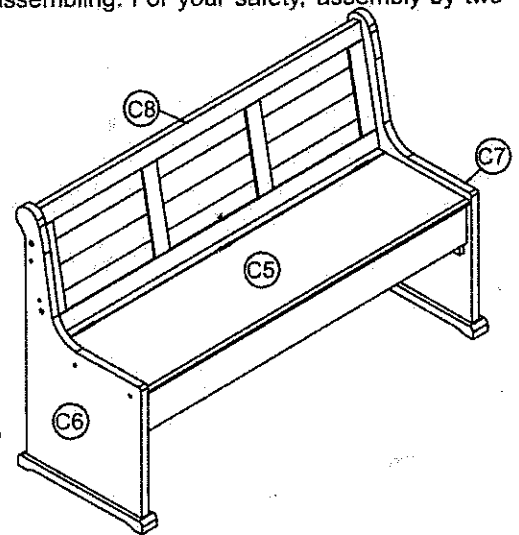
Thank you for purchasing this quality product. Be sure to check all packing material carefully for small parts that may have come loose inside the carton during shipment. Please read all instruction carefully before assembling. For your safety, assembly by two people is recommended.

#### PARTS INCLUDED:

- (1) Long Seat Bench (C5)
- (1) Left Leg (C6)
- (1) Right Leg (C7)
- (1) Long Backrest (C8)
- (1) Corner Seat (C9)
- (1) Corner Top Shelf (10)

#### HARDWARE ENCLOSED:

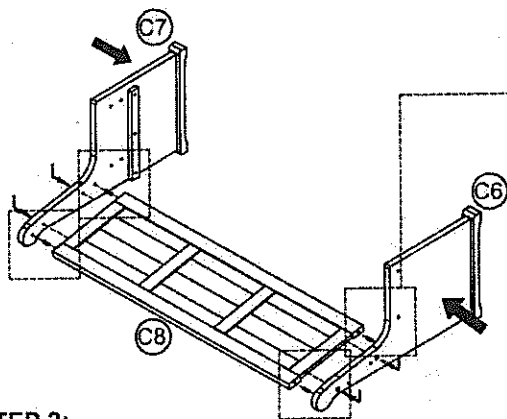
- A x 4  Ø6 x 50mm
- B x 8  Ø6 x 35mm
- C x 4  Ø8 x 30mm
- D x 1  M4
- E x 8  Ø6 x 35mm



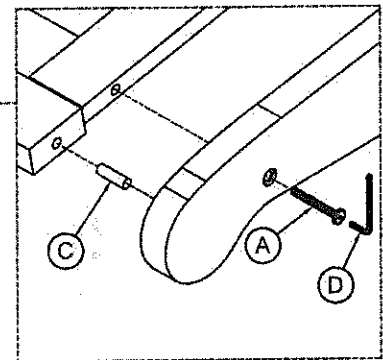
### ASSEMBLY INSTRUCTIONS

#### STEP 1:

- Carefully place Left Leg (C6) and Right Leg (C7) on a smooth flat surface to avoid scratches.
- Attached Wooden Dowel (C) to the Long Backrest (C8); and then Assemble to the Leg (C6) & (C7) by inserting Bolts (A) (See details A).
- DO NOT fully tighten at this stage until all parts are in place.



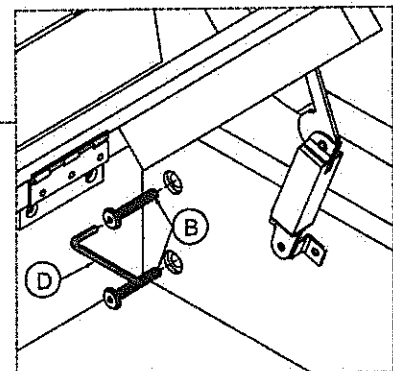
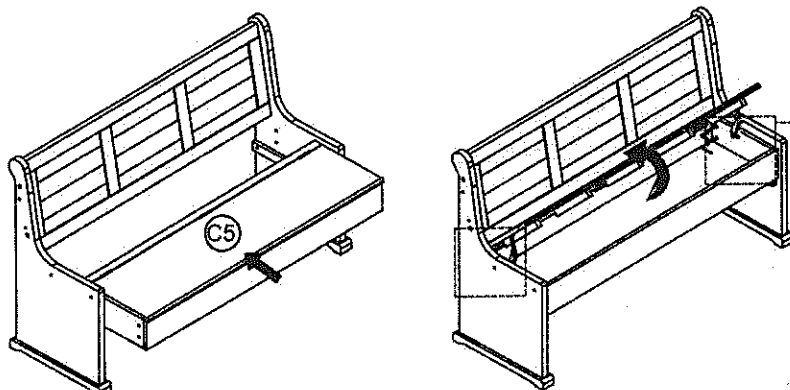
Detail A



#### STEP 2:

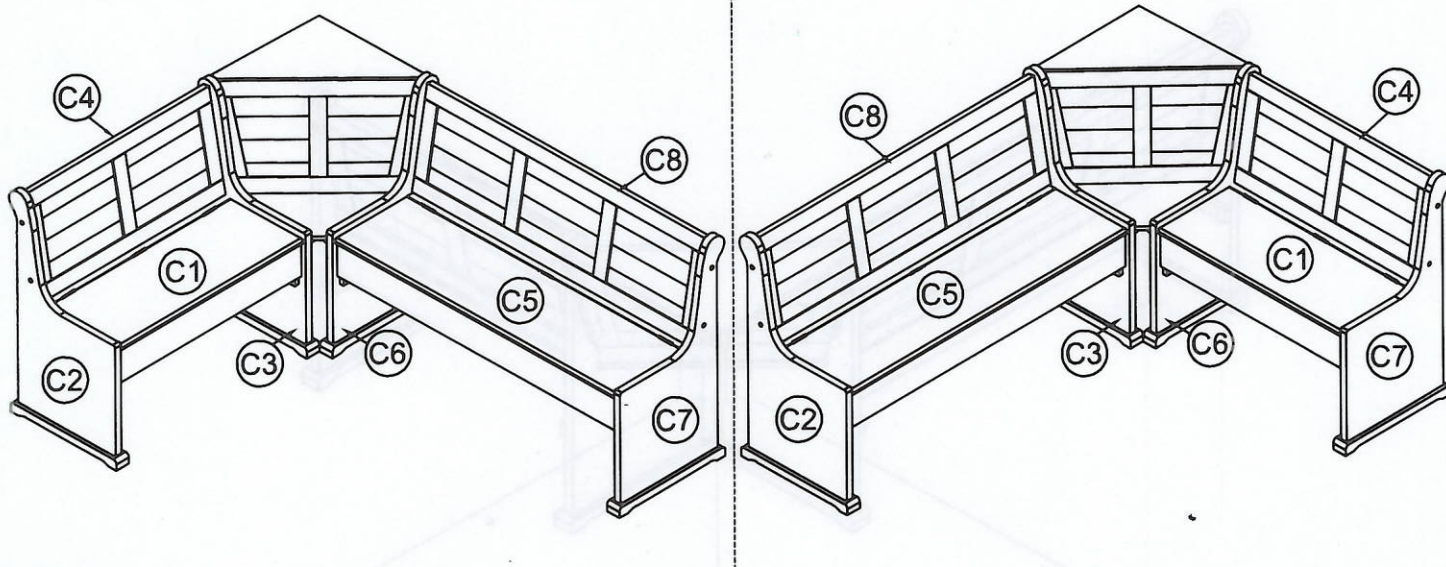
- Carefully turn up the Legs and Backrest per illustration.
- Attached the Seating Bench (C5) to the Legs by using the Bolt (B).
- Fully tighten all bolts once all parts are in place.

Detail B



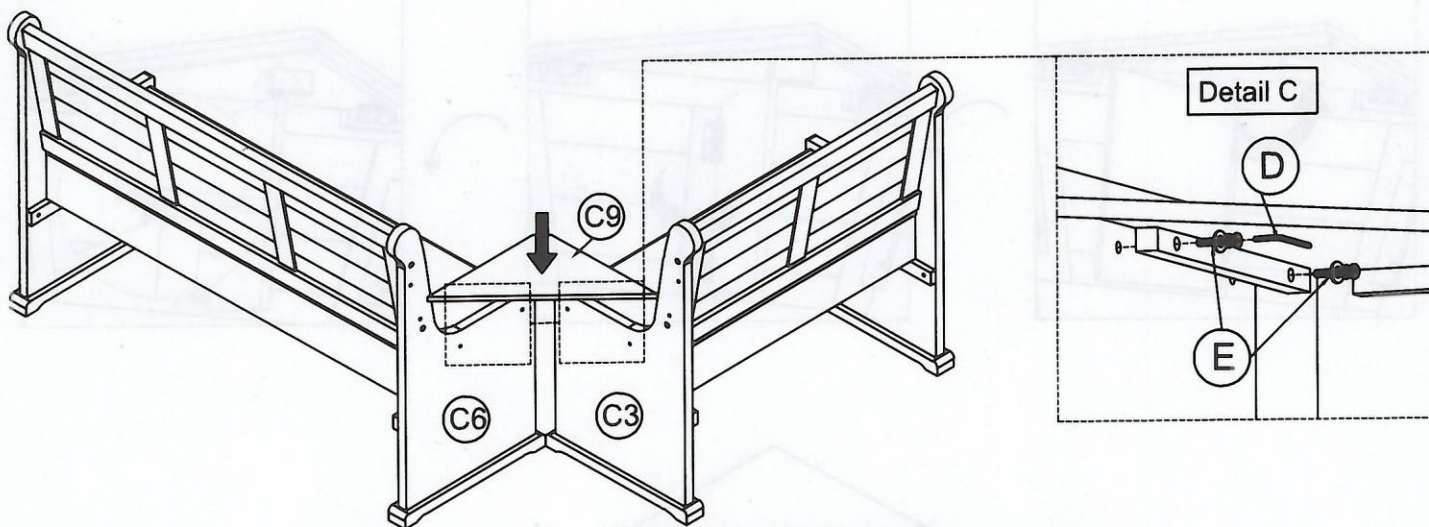
## ASSEMBLY THE CORNER BENCH

- This item consists of two cartons 1 and 2, and customer needs to open up both cartons to assemble the furniture.
- Depending on the approximate space required, the Part C1; C4; C5 and C8 can be interchanged to meet customers requirements.



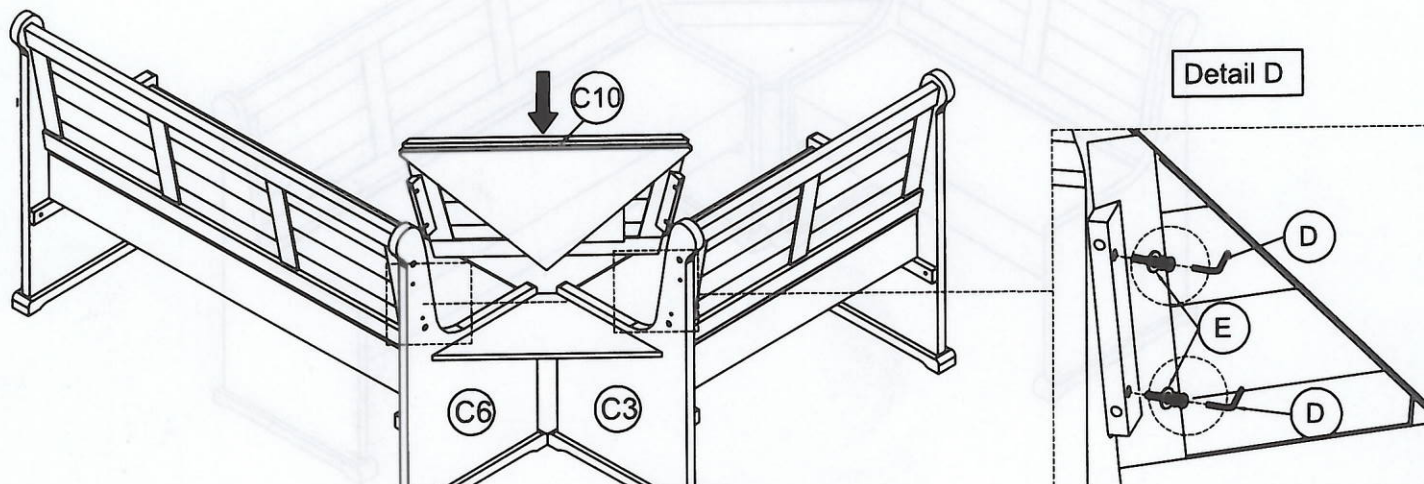
### STEP 1:

Assemble Corner Seat (C9) to assembled unit with Bolt (E) by turning clockwise using Key Wrench (D) until secure (see details C).



### STEP 2:

Assemble Corner Top Shelf (C10) to assembled unit with Bolt (E) using Key Wrench (D) until secure (see details D).



- Open the small panel to keep the Corner-Top Shelf in place.

