

**ASSEMBLY INSTRUCTION
PUB TABLE**




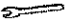
IMPORTANT SAFETY CONSTRUCTION

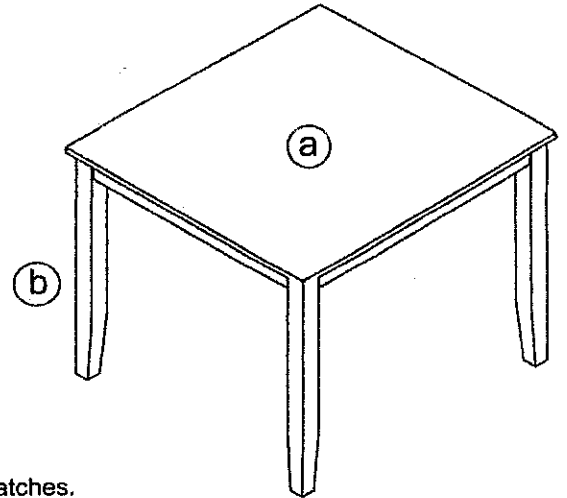
Thanks for purchasing this quality product. Be sure to check all packing material carefully for small parts that may have come loose inside the carton during shipment. Please read all instruction carefully before assembling. For your safety, assembly by two people is recommended.

PARTS INCLUDED

- (1) Table Top (a)
- (4) Table Leg (b)

HARDWARE ENCLOSED

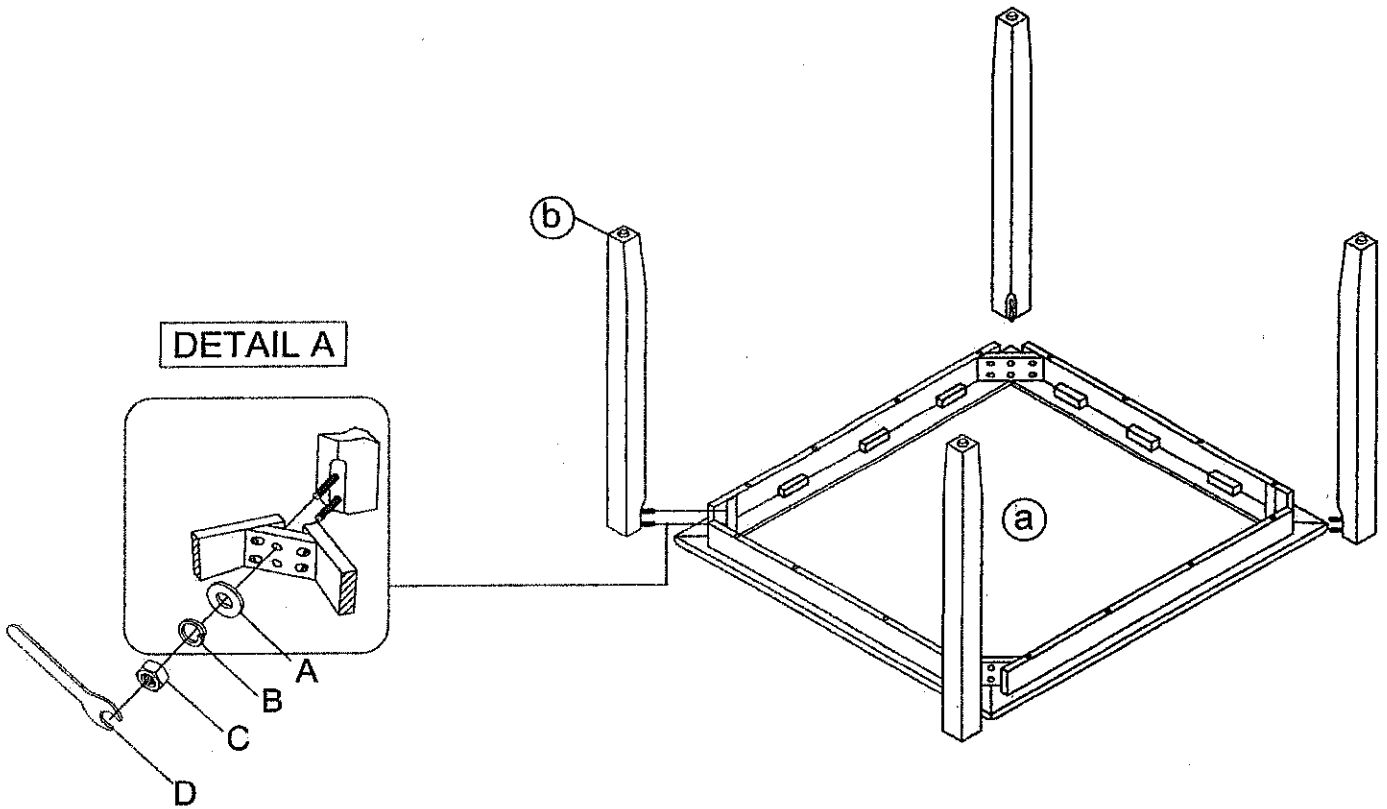
- A 8 x  Ø8 x 19mm
- B 8 x  Ø8 x 13mm
- C 8 x  Ø8
- D 1 x 



ASSEMBLY INSTRUCTIONS

STEP 1:

- Carefully lay Table Top upside down on a smooth flat surface to prevent scratches.
- Affix each Leg to each corner of the Table Top as shown in illustration. Insert a Flat Washer (A), Lock Washer (B) and Nut (C) on to the bolts of each Leg.
- Once all Legs are in place, fully tighten nuts by using clockwise using provided Key Wrench until secure. (See Detail A).



NOTES:

The use of power tools for assembly is not recommended. Power tools can damage hardware or split wood.

**ASSEMBLY INSTRUCTION
PUB CHAIR**









IMPORTANT SAFETY CONSTRUCTION

Thank you for purchasing this quality product. Be sure to check all packing material carefully for small parts that may have come loose inside the carton during shipment. Please read all instruction carefully before assembling. For your safety, assembly by two people is recommended.

PARTS INCLUDED:

- (1) Chair Back (a)
- (1) Complete Seat (b)
- (1) Left Leg (c)
- (1) Right Leg (d)
- (1) Left Side Stretcher (e)
- (1) Right Side Stretcher (f)
- (1) Front Stretcher (g)

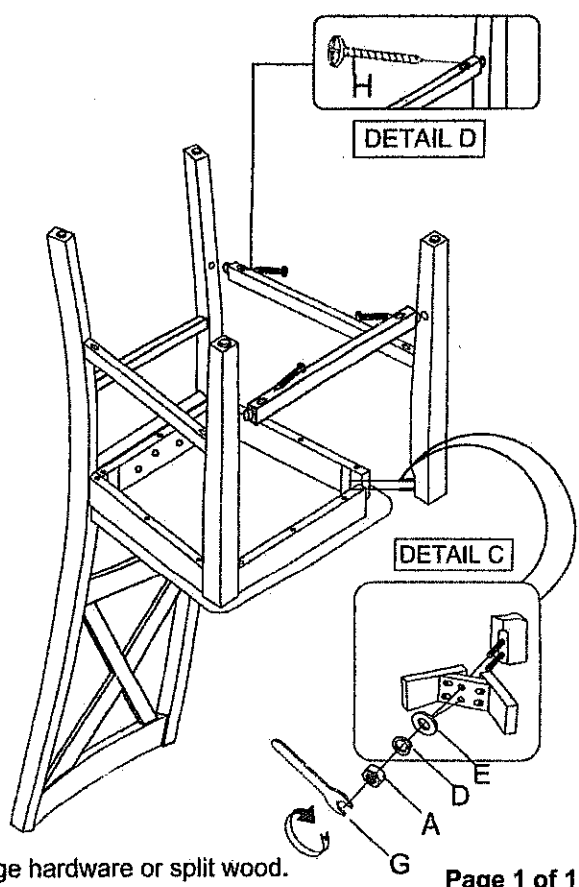
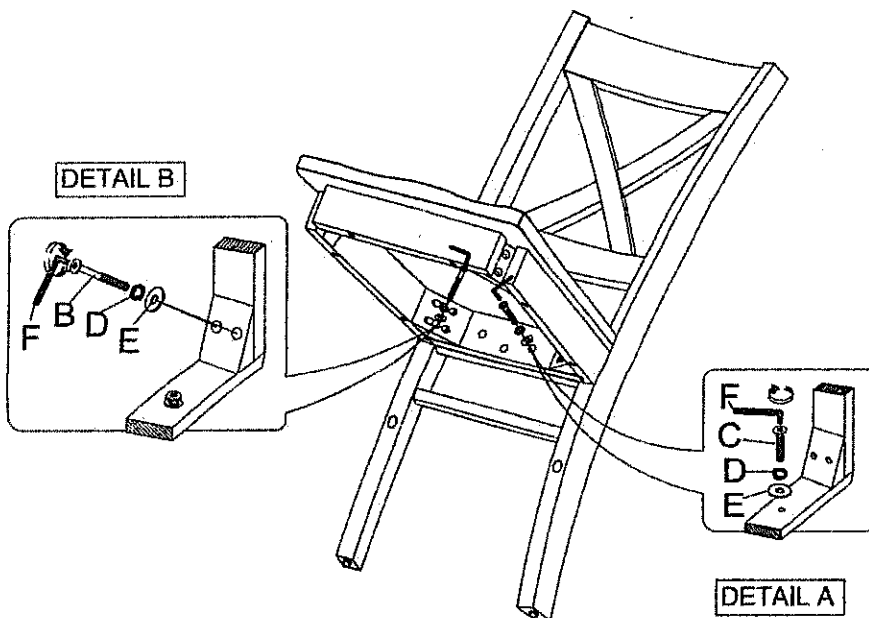
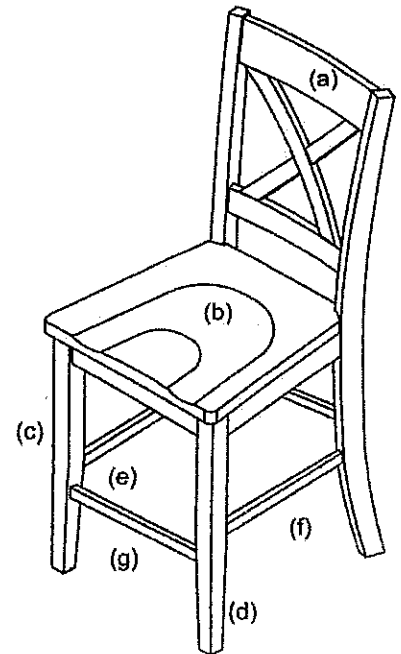
HARDWARE ENCLOSED:

- A 4x  Ø8
- B 4x  Ø6 x 75mm
- C 3x  Ø6 x 40mm
- D 11x  Ø8 x 13mm
- E 11x  Ø8 x 19mm
- F 1x 
- G 1x 
- H 6x  Ø4 x 38mm

ASSEMBLY INSTRUCTIONS

STEP 1:

- Carefully lay Chair Back flat on a smooth flat surface to prevent scratches.
- Affix Complete Seat to Chair Back by inserting a Flat Washer (E), Lock Washer (D) with Short Bolt (C) into holes at the back rail of the seat, and Long Bolt (B) into holes at the Seat frame corners. (See Detail A & B).
- Tighten screws with provided Allen Key (F) by turning clockwise until secure.



STEP 2:

- Carefully turn chair upside down and affix each Leg to the front corners of the Complete Seat. Place Flat Washer, Lock Washer and Nut on each leg bolt, tightening the Nut on each Leg using provided Key Wrench. Do not fully tighten the nuts at this stage until all the parts are in position. (See Detail C)
- Insert 2 Side Stretchers between the front legs and rear legs, and insert the Front Stretcher between 2 front legs; fasten with Wood Screw using phillip-head screwdriver (not provided). (See Detail D)
- Be sure to level the chair prior to tightening all the nuts/screws.

NOTES:

The use of power tools for assembly is not recommended. Power tools can damage hardware or split wood.