




ASSEMBLY INSTRUCTIONS

Parts List					
Front Leg		2 Pieces	Rear Leg		2 Pieces
Plastic washer		4 pieces			

CAUTION

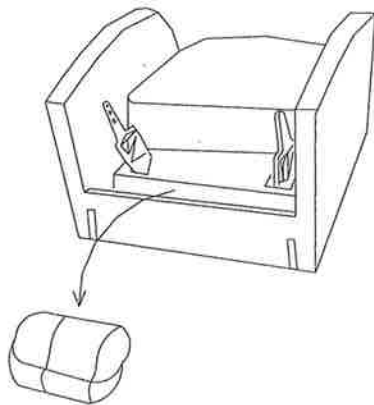
PLEASE READ ALL INSTRUCTIONS CAREFULLY BEFORE STARTING ASSEMBLY PROCESS

IT IS RECOMMENDED TWO PEOPLE WORK TOGETHER WHILE ASSEMBLING THIS FURNITURE

ASSEMBLY

STEP#1

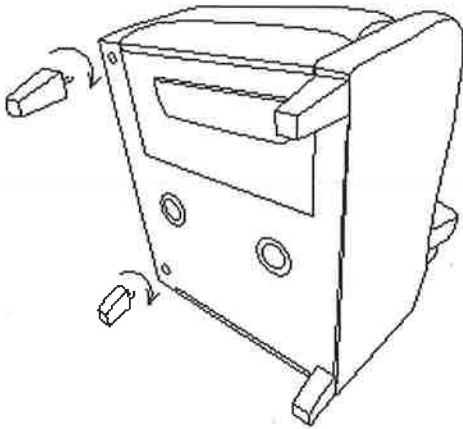
THE WOODEN FEET ARE LOCATED AT THE REAR OF SEAT CUSHION, REMOVE ALL THE WOODEN FEET FROM THE PACKAGE AND APPLY THE PLASTIC WASHER ON TOP THAT IS PROVIDED.



Turn the page over to see the remaining instructions

STEP#2

ATTACH EACH WOODEN FOOT TO CORRESPONDING PRE-DRILLED HOLES BY HANDTURNING IN CLOCKWISE DIRECTION AS FIGURE UNDERNEATH.



NOTE: PLEASE DO NOT OVER TIGHTEN THE FOOT

STEP#3

SLIDE THE METAL RECEIVERS OVER THE METAL POSTS (FIGURE A). PAY CLOSE ATTENTION TO THE ALIGNMENT OF THE RECEIVERS AND POSTS IN ORDER TO ENSURE A PROPER CONNECTION.

STEP#4

PRESS BOTH SIDES OF FIRMLY INTO PLACE. THE BACK SHOULD AUTOMATICALLY LOCK INTO PLACE.

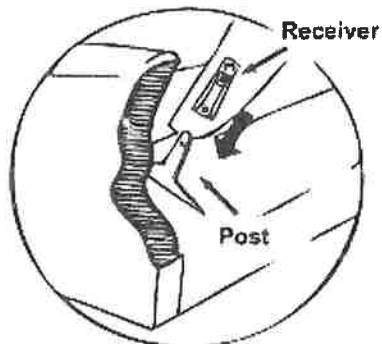


Figure A
(Figure A)