

HH-4750 Headboard

ASSEMBLY INSTRUCTIONS

ASSEMBLY INSTRUCTIONS

TECHNICAL SPECIFICATION
SKU: H4745-002 /H4745-003
DESCRIPTION: Bay View Headboard

Important safety instructions:

- * Please carefully read all instructions before assembling.
- * For your safety, assembly by two or more adults is recommended.
- * keep instructions for future use.

Pre-assembly:

- * Do not discard any contents until after assembly is complete to avoid accidentally discarding small parts of hardware.
- * Remove parts and hardware from box along with any plastic protective packaging.

Parts

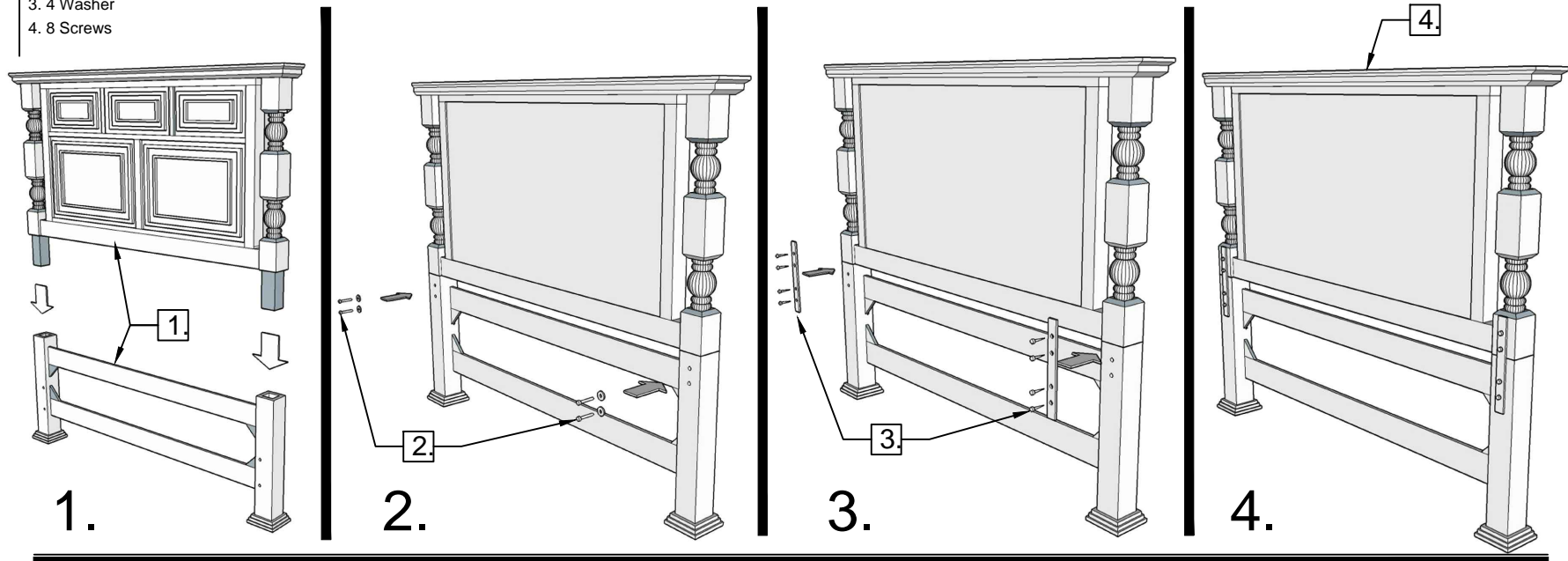
1. Top part of Headboard
2. Bottom part of Headboard

Hardware

1. Two metal plate
2. 4 Bolts
3. 4 Washer
4. 8 Screws

WARNING : ENLIST ADDITIONAL HELP FOR ASSEMBLY PROCESS.

1. ALIGN TOP PART OF HEADBOARD WITH BOTTOM PART .
2. ATTACH BOTH PIECES USING MACHINE BOLTS PROVIDED.
" DO NOT OVER TIGHTEN "
3. ATTACH METAL PLATES STRAPS WITH WOOD SCREWS PROVIDED FOR ADDED SUPPORT.
4. FULL ASSEMBLY.



RAIL ASSEMBLY INSTRUCTIONS

TECHNICAL SPECIFICATION

SKU: N/A

DESCRIPTION: RAIL AND HEADBOARD/FOOTBOARD ASSEMBLY.

Important safety instructions:

- * Please carefully read all instructions before assembling.
- * For your safety, assembly by two or more adults is recommended.
- * Keep instructions for future use.

Pre-assembly:

- * Do not discard any contents until after assembly is complete to avoid accidentally discarding small parts of hardware.
- * Remove parts and hardware from box along with any plastic protective packaging.

Parts

1. Headbord
2. Footboard
3. 2 rails

Hardware

1. 8 Bolts
1. 8 Washers
1. 8 Pressure washers

TO ATTACH THE RAIL TO HEADBOARD AND FOOTBOARD

1. ALIGN RAIL TO HEADBOARD AND FOOTBOARD. WITH CORRECT HOLES.
2. INSERT BOLT, WASHER AND PRESSURE WASHER THROUGH THE RAIL HOLE AND THEN INTO HEADBOARD HOLE.
3. TIGHTEN BOLTS . (Do not over tighten).
4. REPEAT THIS PROCESS FOR ALL FOUR POINTS OF BED.
5. INSERT SLATS INTO EACH SLOT LOCATED IN THE INTERIOR SIDE OF RAILS.

