

URBAN RUSTIC BED

ASSEMBLY INSTRUCTIONS

TECHNICAL SPECIFICATION

SKU: H4365-EK BED AND H4365-QUEEN BED
DESCRIPTION:

Important safety instructions:

- * Please carefully read all instructions before assembling.
- * For your safety, assembly by two or more adults is recommended
- * keep instructions for future use.

Pre-assembly:

- * Do not discard any contents until after assembly is complete to avoid accidentally discarding small parts of hardware.
- * Remove parts and hardware from box along with any plastic protective packaging.

Parts

1. 1 Footboard Bench.
1. 1 Headboard.
2. 2 Rails.
4. 5 Slats.
5. 7 Center Support Legs.

Hardware

1. 8 Bolts.
2. 8 Nuts.
3. 8 Washers.

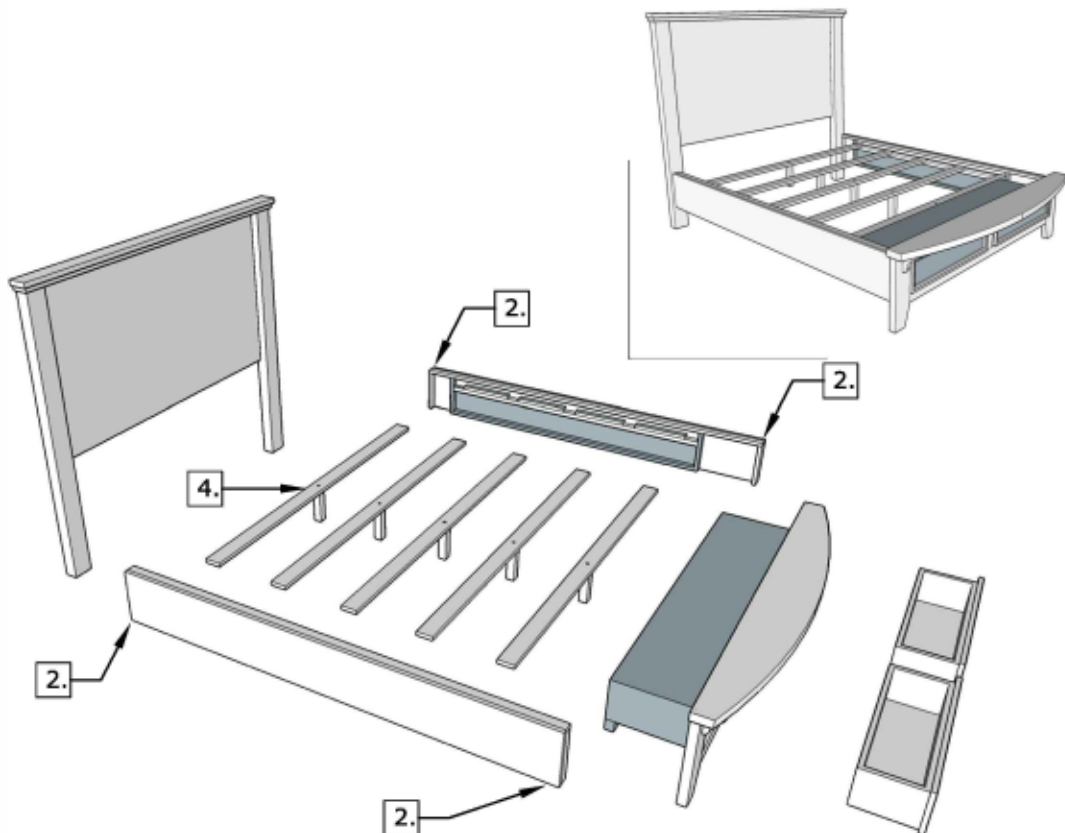
BED ASSEMBLY

1.

WARNING : ENLIST ADDITIONAL HELP FOR ASSEMBLY PROCESS.

1. ATTACH TWO SUPPORT LEGS TO FOOTBOARD (SEE PAGE 2).
2. BOLT BOTH RAILS TO HEADBOARD AND FOOTBOARD .
SEE INSTRUCTION MANUAL FOR CONNECTION OF RAILS.
3. ATTACH CENTER SUPPORT LEGS TO SLATS (SEE PAGE 2).
4. INSTALL SLATS ALONG RAILS.

VIEW OF FULLY ASSEMBLED BED



RAIL ASSEMBLY INSTRUCTIONS

TECHNICAL SPECIFICATION

SKU: N/A

DESCRIPTION: RAIL AND HEADBOARD/FOOTBOARD ASSEMBLY.

Important safety instructions:

- * Please carefully read all instructions before assembling.
- * For your safety, assembly by two or more adults is recommended.
- * Keep instructions for future use.

Pre-assembly:

- * Do not discard any contents until after assembly is complete to avoid accidentally discarding small parts of hardware.
- * Remove parts and hardware from box along with any plastic protective packaging.

Parts

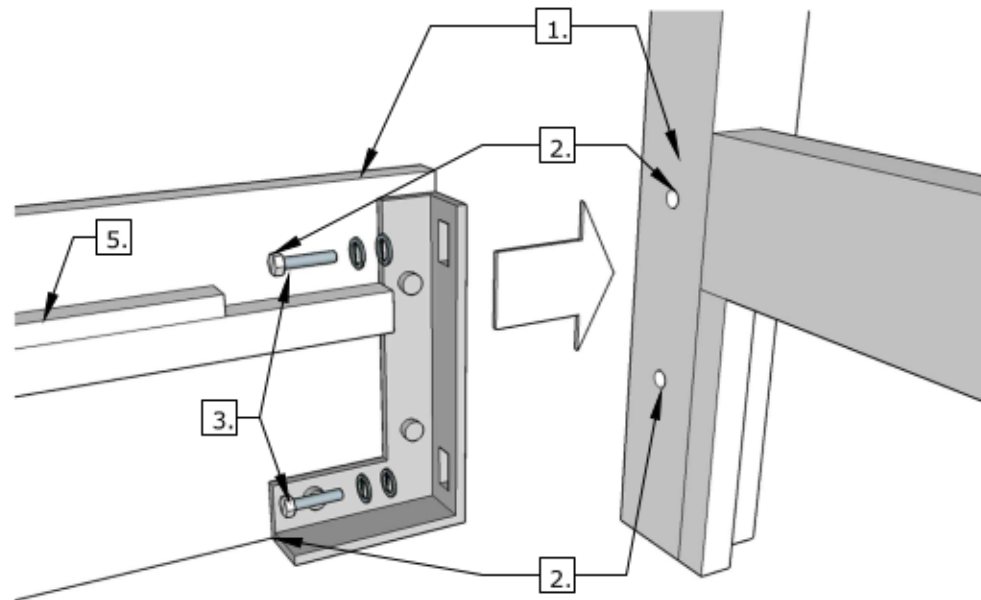
1. Headbord
2. Footboard
3. 2 rails

Hardware

1. 8 Bolts
1. 8 Washers
1. 8 Pressure washers

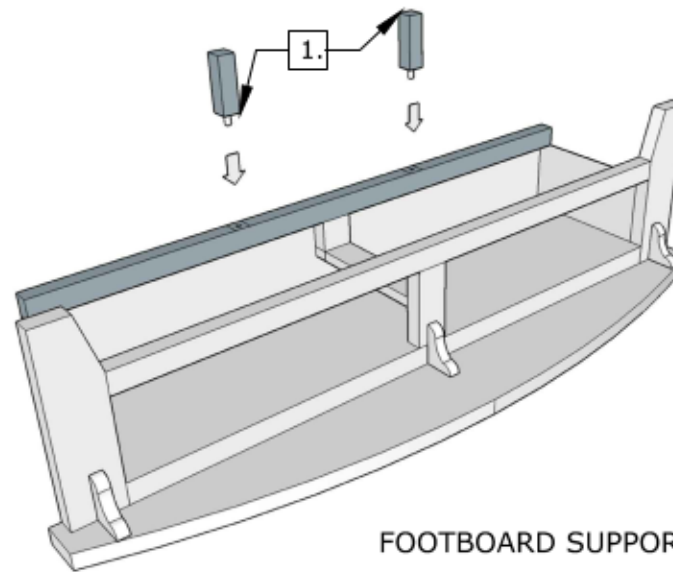
TO ATTACH THE RAIL TO HEADBOARD AND FOOTBOARD

1. ALIGN RAIL TO HEADBOARD AND FOOTBOARD. WITH CORRECT HOLES.
2. INSERT BOLT, WASHER AND PRESSURE WASHER THROUGH THE RAIL HOLE AND THEN INTO HEADBOARD HOLE.
3. TIGHTEN BOLTS . (Do not over tighten).
4. REPEAT THIS PROCESS FOR ALL FOUR POINTS OF BED.
5. INSERT SLATS INTO EACH SLOT LOCATED IN THE INTERIOR SIDE OF RAILS.

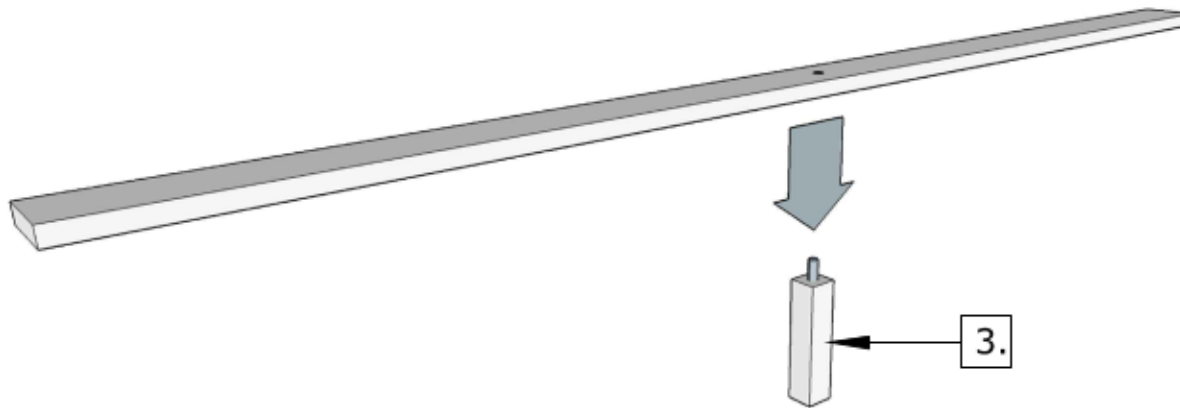


**URBAN RUSTIC BED
ASSEMBLY INSTRUCTIONS**

2.



FOOTBOARD SUPPORT LEGS ASSEMBLY



CENTER SUPPORT LEG ASSEMBLY

