

## Assembly Instructions for DINING TABLE ED-SK100



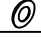


**Caution:** Please read instructions thoroughly before unpacking assembly parts. Sharp, exposed staple tips can cause injury, therefore, for your protection, please remove any exposed staples used in packing.

1. We recommend that you should assemble this product with the assistance of another person; this will make assembly easier, and will help to eliminate damage to the product or injury to persons during assembly.
2. Be sure to check all packing materials carefully for small parts that may have come loose inside the carton during shipment.
3. Please do not over tighten screws or bolts.
4. Please put all parts on a non-abrasive floor before assembly, and follow the assembly steps to assemble your newly purchased product correctly and efficiently.

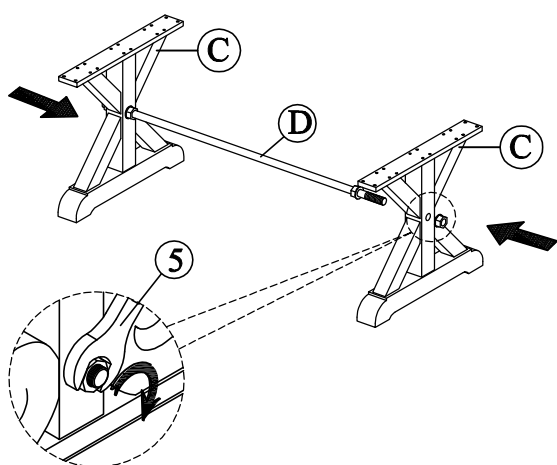
### PART LIST FOR TABLE

No.	PART DESC.	CODE.	Q'TY
A	Dining Rectangular Table Top		1
B	Dining Rectangular Table Top - Leaf Support Rail	PDSK100RKDTLEAF	2
C	Dining Rectangular Table Base - Leg Frame	PDSK100RKDBLEG	2
D	Dining Rectangular Table Base - Metal Stretcher W/Nut	PDSK100RKDBMSTR	1

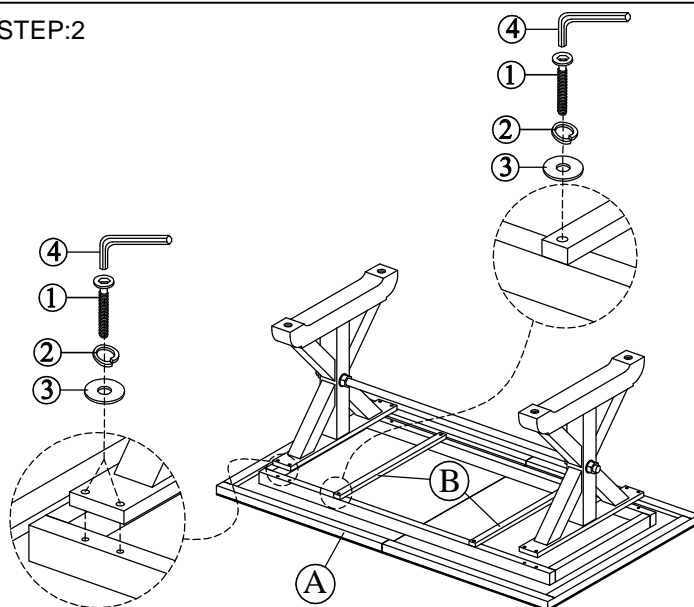
### HARDWARE LIST PACKED INSIDE BOX

No.	HARDWARE DESC	CODE.	Q'TY
1	 Allen Bolt (5/16" x 45mm)	PDSK100RKDTHW	12
2	 Spring washer (5/16")		12
3	 Flat washer (5/16")		12
4	 Allen key M4		1
5	 Wrench		1

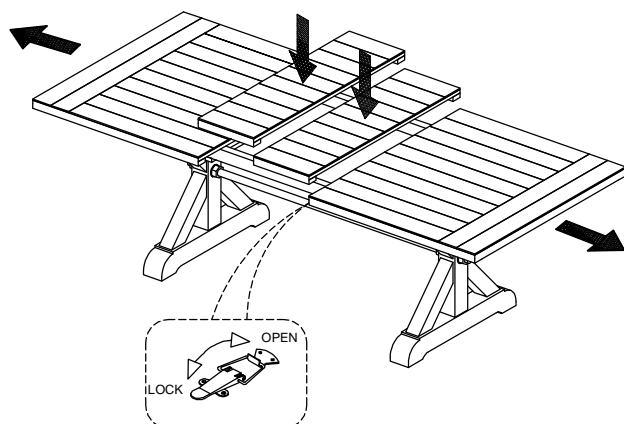
#### STEP:1



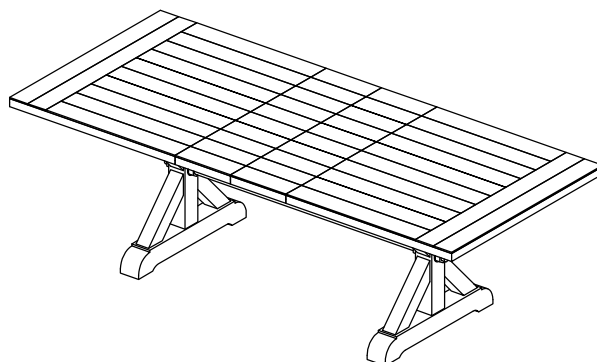
#### STEP:2



#### STEP:3

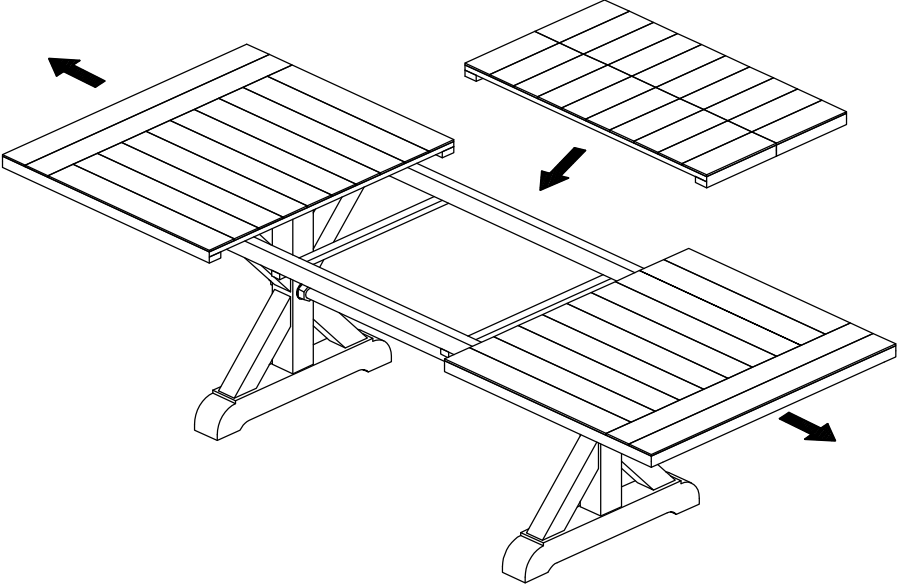


#### STEP:4

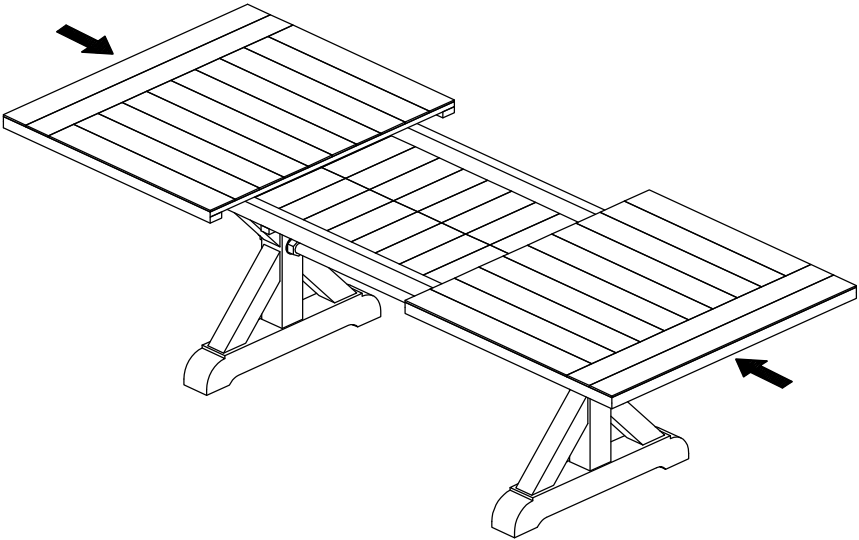


Assembly Instructions for  
DINING TABLE  
ED-SK100

STEP:5



STEP:6



COMPLETED

