

Assembly Instruction For BAR TABLE

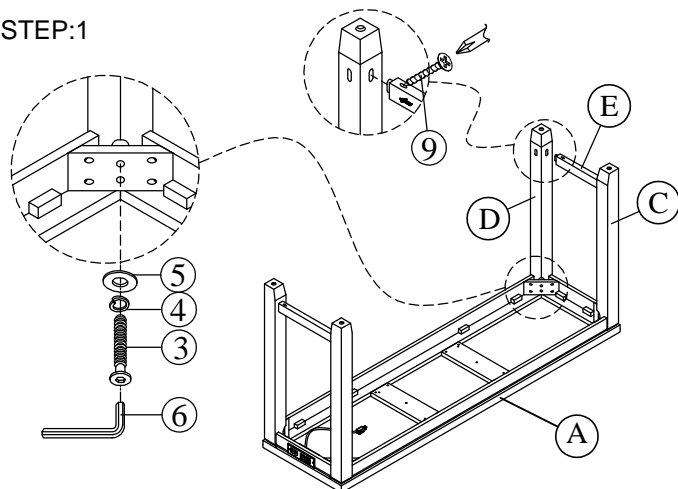
D.18620.BTT/ ED-D18620BTT & D.18620.BTB/ ED-D18620BTB

Caution: Please read instructions thoroughly before unpacking assembly parts. Sharp, exposed staple tips can cause injury, therefore, for your protection, please remove any exposed staples used in packing.

1. We recommend that you should assemble this product with the assistance of another person; this will make assembly easier, and will help to eliminate damage to the product or injury to persons during assembly.
2. Be sure to check all packing materials carefully for small parts that may have come loose inside the carton during shipment.
3. Please do not over tighten screws or bolts.
4. Please put all parts on a non-abrasive floor before assembly, and follow the assembly steps to assemble your newly purchased product correctly and efficiently.

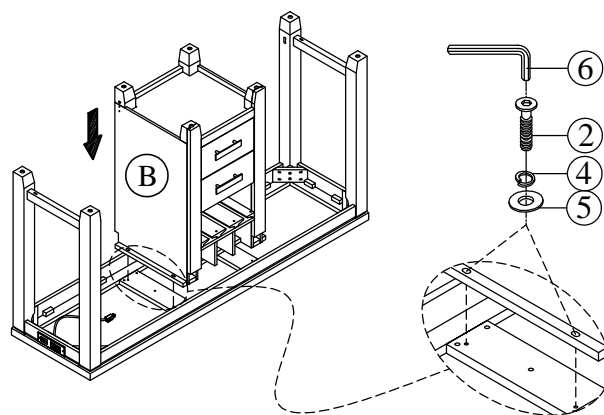
PART LIST FOR BAR TABLE				HARDWARE LIST PACKED INSIDE BOX			
No.	PART DESC	CODE.	Q'TY	No.	HARDWARE DESC	CODE.	Q'TY
A	BAR TABLE - TABLE TOP		1	1	ALLEN BOLT (5/16" x 20mm)	PD.18620.BTHW	2
B	BAR TABLE - TABLE BASE		1	2	ALLEN BOLT (5/16" x 40mm)		4
C	BAR TABLE - L/R FRONT LEGS	PD.18620.BTBLEG1	2	3	ALLEN BOLT (5/16" x 70mm)		8
D	BAR TABLE - BACK LEGS	PD.18620.BTBLEG2	2	4	SPRING WASHER (5/16")		14
E	BAR TABLE - LEFT & RIGHT STRETCHER	PD.18620.BTBSTR2	2	5	FLAT WASHER (5/16")		14
F	BAR TABLE - BACK STRETCHER	PD.18620.BTBSTR1	2	6	ALLEN KEY (M4)		1
				7	METAL BRACKET		2
				8	SCREW (#3.5 x 15mm)		2
				9	SCREW (#4 x 50mm)		6

STEP:1

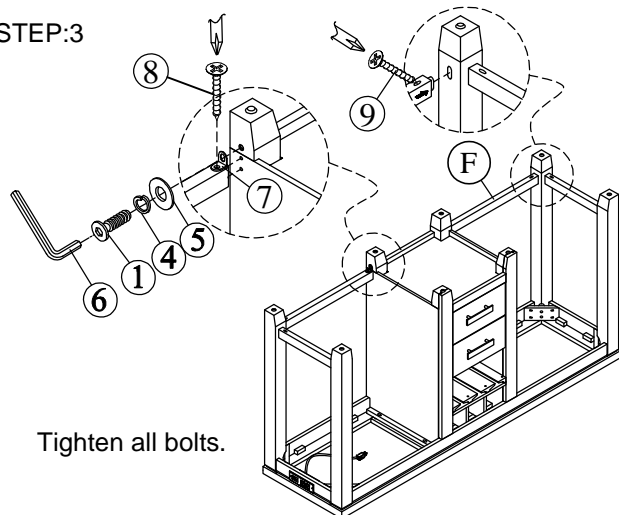


Do not tighten all bolts until final step.

STEP:2

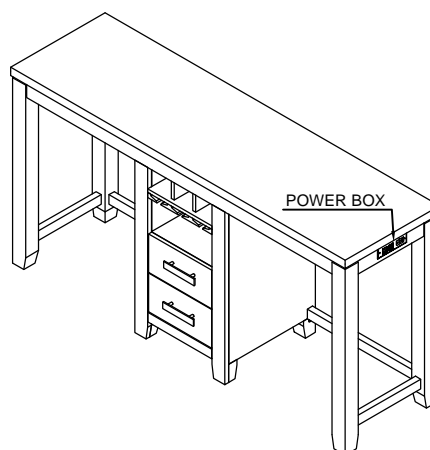


STEP:3



Tighten all bolts.

STEP:4



DATE: 23-Mar-2022