

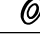



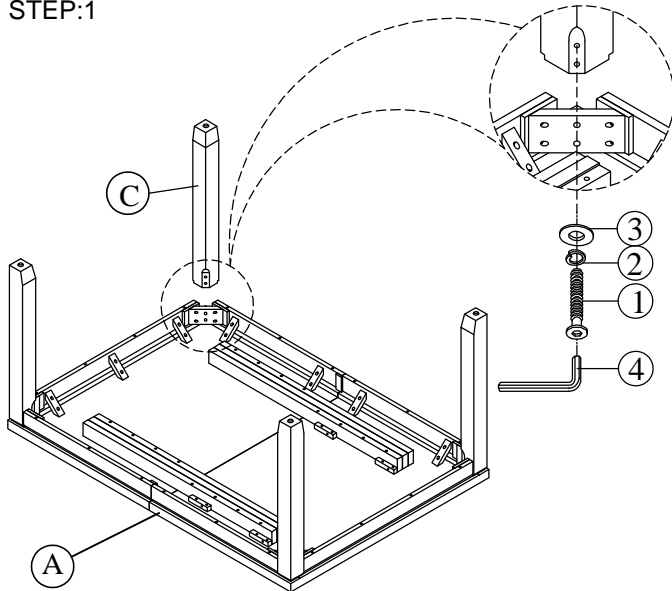
Assembly Instruction For DINING TABLE D.18620.DT/ ED-D18620DT

Caution: Please read instructions thoroughly before unpacking assembly parts. Sharp, exposed staple tips can cause injury, therefore, for your protection, please remove any exposed staples used in packing.

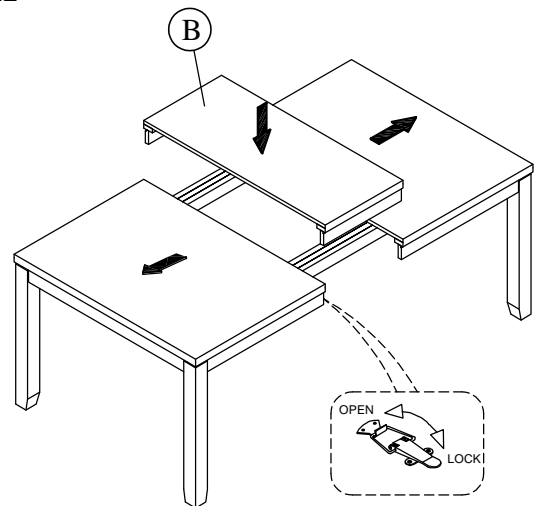
1. We recommend that you should assemble this product with the assistance of another person; this will make assembly easier, and will help to eliminate damage to the product or injury to persons during assembly.
2. Be sure to check all packing materials carefully for small parts that may have come loose inside the carton during shipment.
3. Please do not over tighten screws or bolts.
4. Please put all parts on a non-abrasive floor before assembly, and follow the assembly steps to assemble your newly purchased product correctly and efficiently.

PART LIST FOR DINING TABLE				HARDWARE LIST PACKED INSIDE BOX			
No.	PART DESC	CODE.	Q'TY	No.	HARDWARE DESC	CODE.	Q'TY
A	DINING TABLE - TABLE TOP		1	1	 ALLEN BOLT (5/16" x 70mm)	PD.18620.DTHW	8
B	DINING TABLE - LEAF		1	2	 SPRING WASHER (5/16")		8
C	DINING TABLE - LEG	PD.18620.DTLEG	4	3	 FLAT WASHER (5/16")		8
				4	 ALLEN KEY (M4)		1

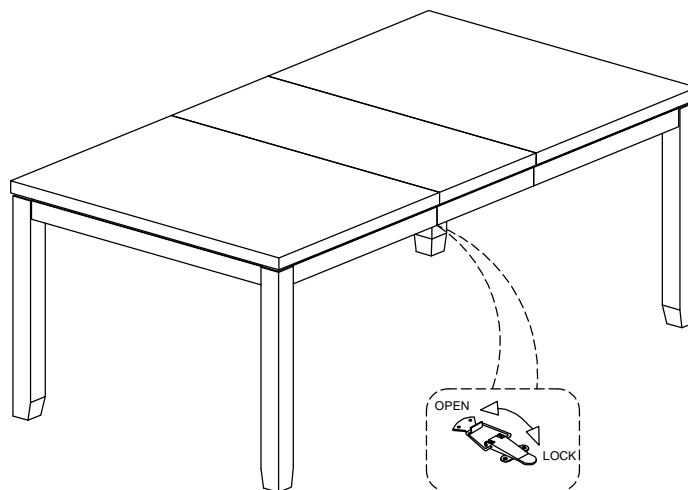
STEP:1



STEP:2



COMPLETED



Assembly Instruction For SLAT BACK SIDE CHAIR D.18620.SSC/ ED-D18620SSC

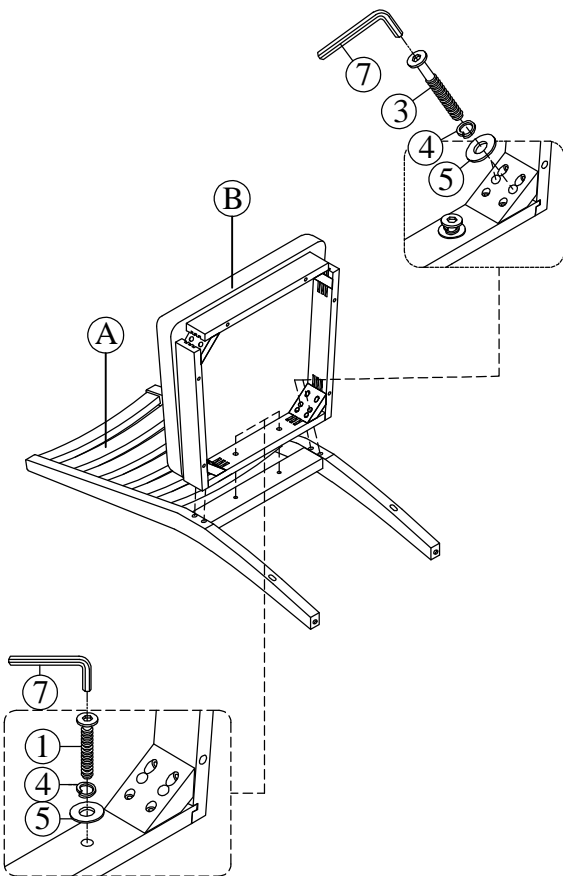
Caution: Please read instructions thoroughly before unpacking assembly parts. Sharp, exposed staple tips can cause injury, therefore, for your protection, please remove any exposed staples used in packing.

1. We recommend that you should assemble this product with the assistance of another person; this will make assembly easier, and will help to eliminate damage to the product or injury to persons during assembly.
2. Be sure to check all packing materials carefully for small parts that may have come loose inside the carton during shipment.
3. Please do not over tighten screws or bolts.
4. Please put all parts on a non-abrasive floor before assembly, and follow the assembly steps to assemble your newly purchased product correctly and efficiently.

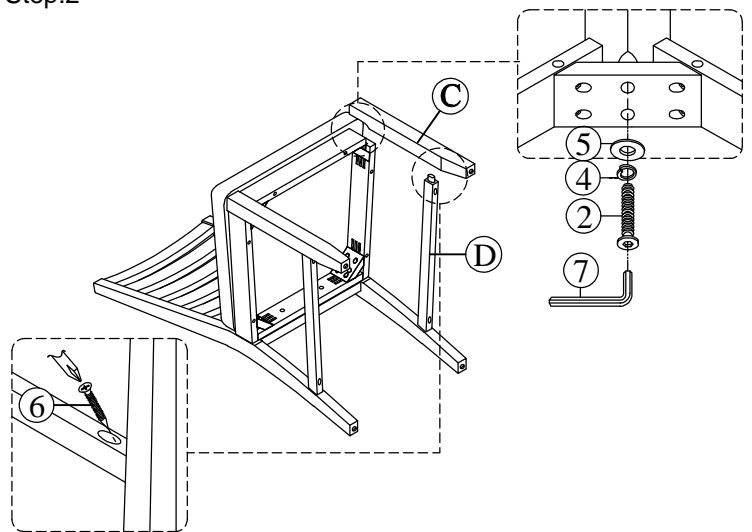
PART LIST FOR CHAIR			
No.	PART DESC	CODE.	Q'TY
A	Side Chair - Back Frame	PD.18620.SSCBFR	1
B	Side Chair - Seat Frame w/Cushion	PD.18620.SCSEA	1
C	Side Chair - Left & Right Front Legs	PD.18620.SCLEG	2
D	Side Chair - Left & Right Side Stretchers	PD.18620.SCSTR	2

HARDWARE LIST PACKED INSIDE BOX			
No.	HARDWARE DESC	CODE.	Q'TY
1	ALLEN BOLT (1/4" x 40mm)	PD.18620.SSCHW	2
2	ALLEN BOLT (1/4" x 60mm)		4
3	ALLEN BOLT (1/4" x 75mm)		4
4	SPRING WASHER (1/4")		10
5	FLAT WASHER (1/4")		10
6	SCREWS (M4 x 38mm)		4
7	ALLEN KEY M4		1

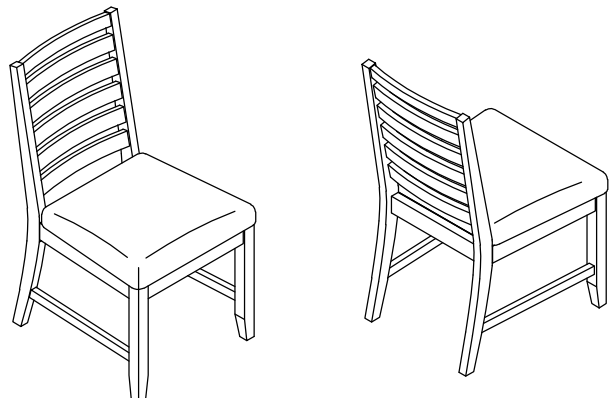
Step:1



Step:2



Completed



DATE: 23-Mar-2022

MADE IN VIETNAM