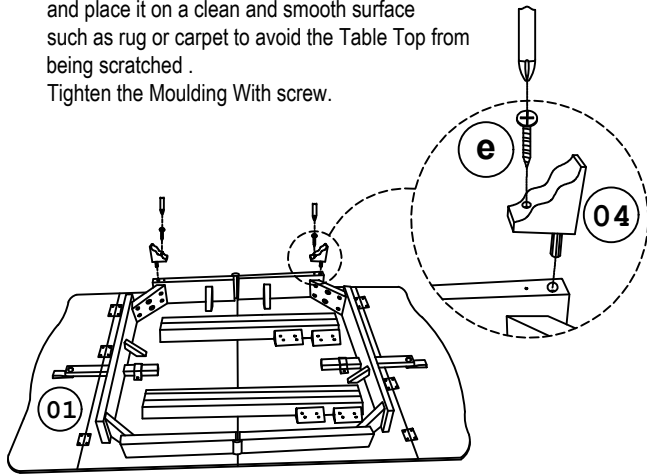
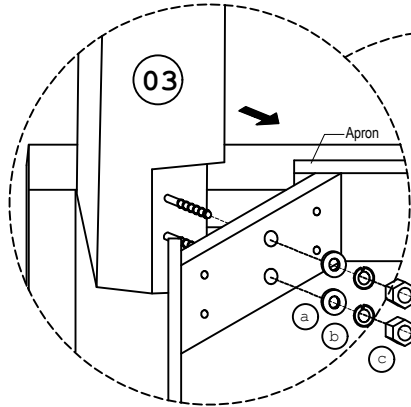


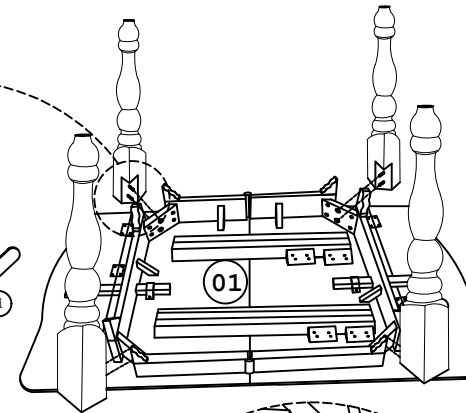
- 1** Turn the under side of the Table Top over and place it on a clean and smooth surface such as rug or carpet to avoid the Table Top from being scratched .
Tighten the Moulding With screw.



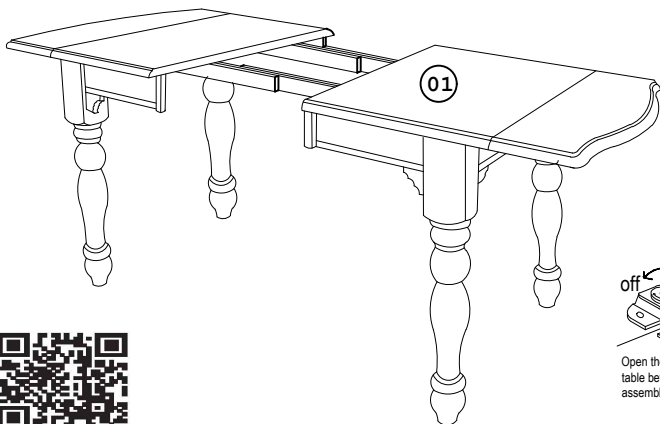
- 2** Fix the turned Leg to the corner of the apron with the Flat Washer, Spring Washer And Hex Nut using the Spanner to tighten it.



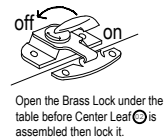
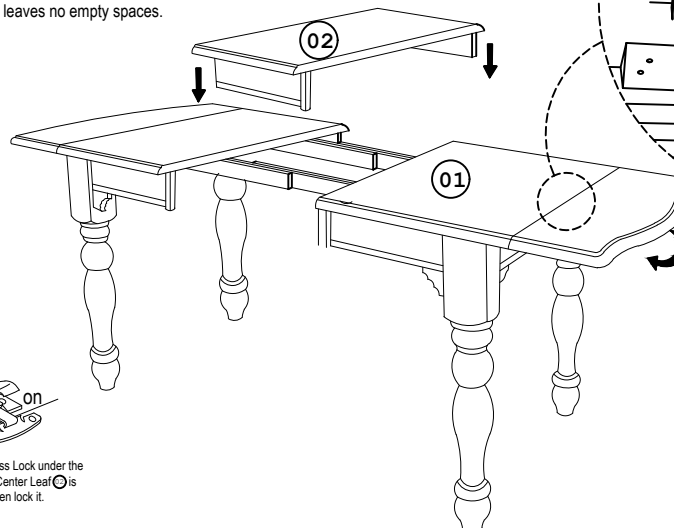
- 3** Repeat the same step for the other three Legs .



- 4** Turn the assembled Table over carefully, pull the Table Top to both side.



- 5** Put the Center Top in center & end close to the Table Leaf until it leaves no empty spaces.



List of Parts For 1 Set

01		Table Top	1
02		Center Leaf	1
03		Table Leg	4
04		Moulding	8

List of Hardware For 1 Set

a		Flat Washer	8
b		Spring Washer	8
c		Hexagon Nut	8
d		Spanner	1
e		PHRS Screw # 8 x 1"	8

IMPORTANT NOTES:

- Keep all hardware and small parts out of reach of children.
- Remove all staples and packing straps before you start to assemble.
- Do not discard main cartons and wrapping material until assembly is complete.
- Check to be sure you have all parts and hardware.
- Place all wooden parts on a clean soft surface to avoid parts from being scratched.
- Do not tighten all screws / bolts until completely assembled.
- Check tightness 3x's/year, with use screws can become loose.
- Do not attempt to repair or modify parts that are broken or defective. Please contact us immediately.
- Enjoy your new furniture!

