



701 E Industrial PK Dr
Manchester NH 03109
877-364-8464

**Pls Check to make sure you have all parts otherwise contact local retailer or Sunset Trading customer service at 877-364-8464"

Thank You for purchasing this Quality product. It has been engineered for easy assembly yet constructed for durability. Please take the time to read and follow the instruction while assembling.

ASSEMBLY INSTRUCTION

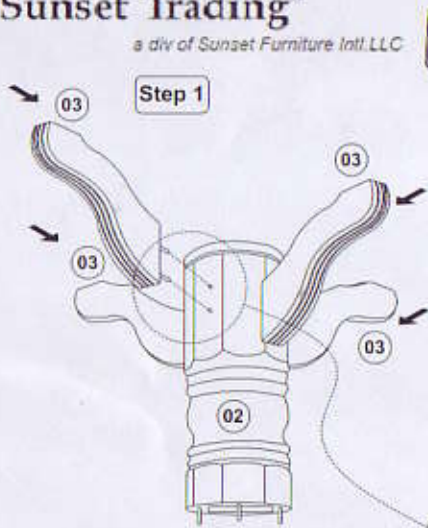
OVAL BUTTERFLY TABLE

Size : 48"W x 48" x 66"L x 30"HT

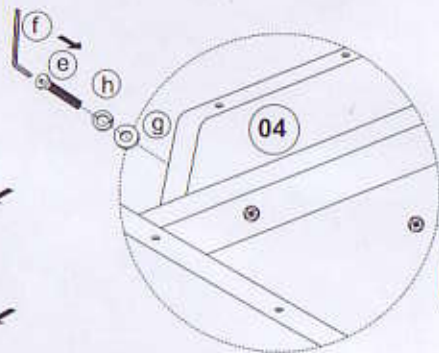
Model :DLU-TBX-4866 (TSEB-0803)

Sunset Trading®

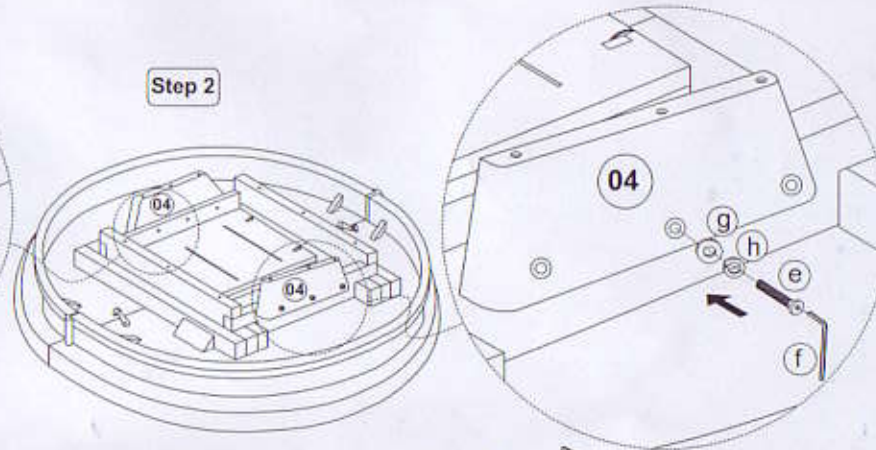
a div of Sunset Furniture Intl.LLC



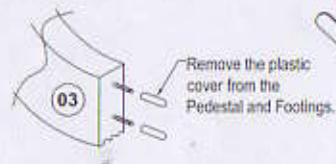
Step 1



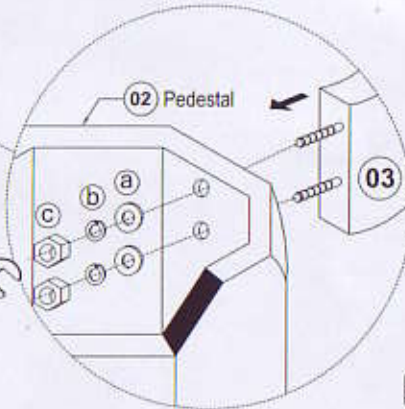
Step 2



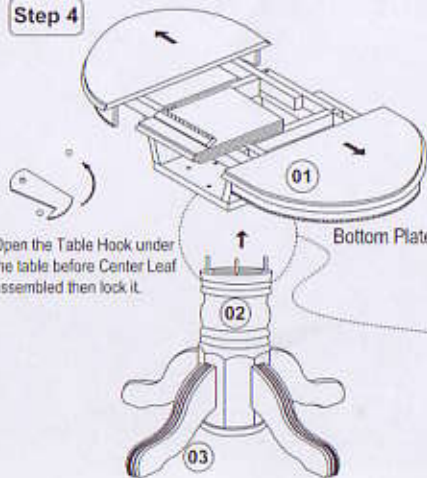
Step 3



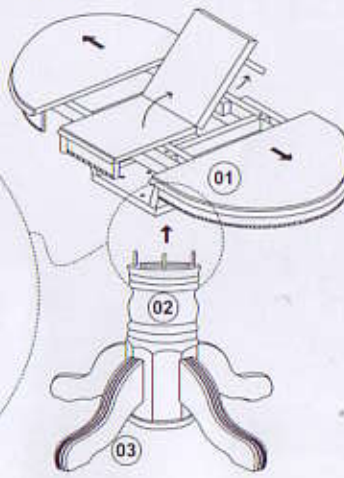
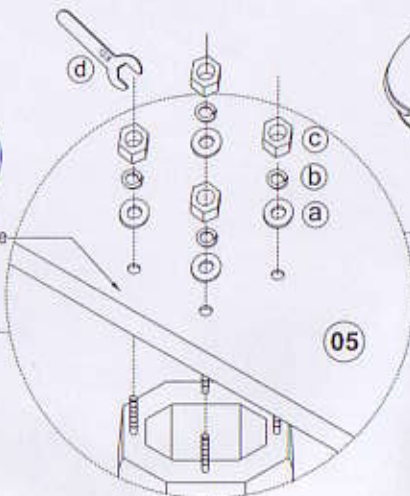
Remove the plastic cover from the Pedestal and Footings.



Step 4



Step 5



List of Part For 1Set

01		Table Top	1
02		Pedestal	1
03		Leg	4
04		Supporting Rail	2
05		Mounting Plate	1

List of hardware For 1 Set

a		Flat Washer 3/16" x 22mm	12
b		Spring Washer 3/16"	12
c		Hexagon Nut	12
d		Spanner	1
e		J/CBC Bolt M6 x 45mm	12
f		Allen Key M4	1
g		Flat Washer 1/4" x 13mm	6
h		Spring Washer 1/4"	12
i		Flat Washer 1/4" x 18mm	6

Important Notes

- Keep all hardware parts out of reach of children.
- Must tighten screws periodically. With use screws will become loose. Check tightness of all screws every 6-8 weeks.
- Don't attempt to repair or modify parts that are broken or defective. Please contact the store immediately.
- Do not tighten all screw / bolt until all completely assembled.

