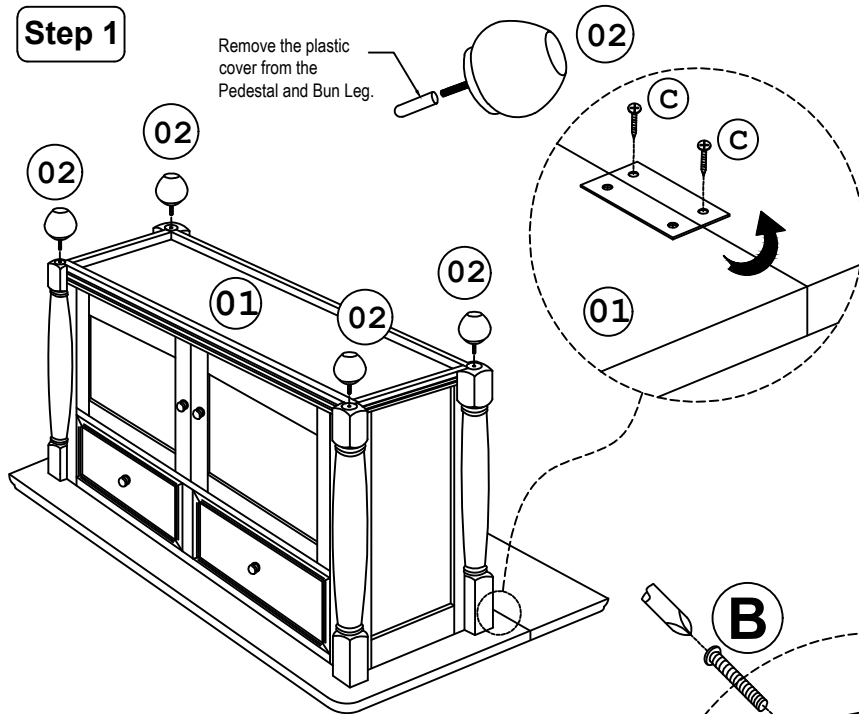
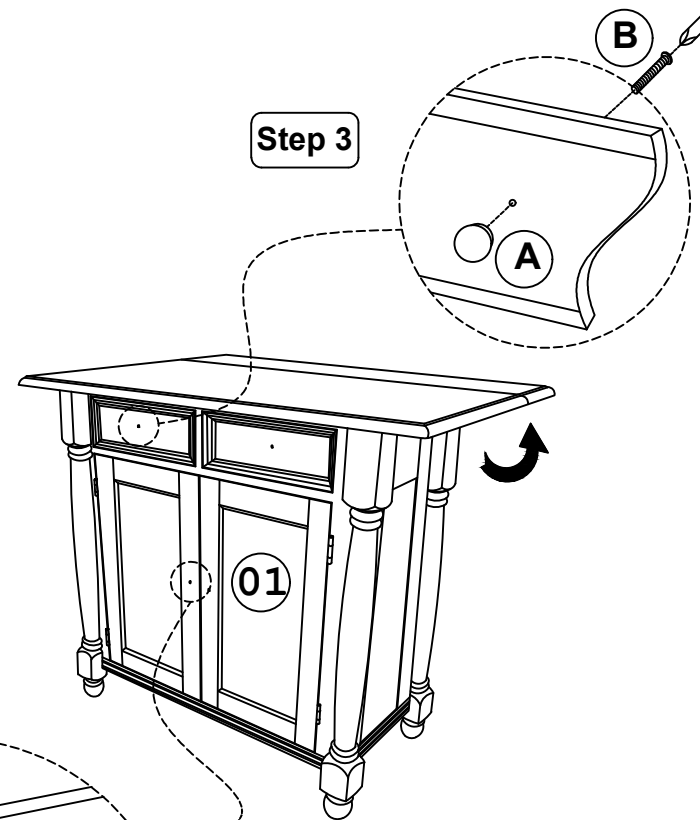


Step 1

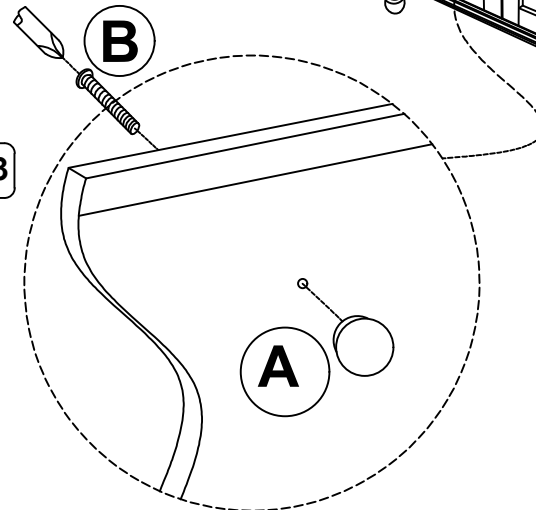
Remove the plastic
cover from the
Pedestal and Bun Leg.





Step 3






Step 3



List of Parts For 1 Set

01		CABINET	1
02		BUN LEG	4

List of Hardware For 1 Set

a		WOOD HANDLE	4
b		THMS SCREW 5/32" x 25mm	4
c		CSK CB SCREW M3.5 x 16mm	6

IMPORTANT NOTES:

- Keep all hardware and small parts out of reach of children.
- Remove all staples and packing straps before you start to assemble.
- Do not discard main cartons and wrapping material until assembly is complete.
- Check to be sure you have all parts and hardware.
- Place all wooden parts on a clean soft surface to avoid parts from being scratched
- Do not tighten all screws / bolts until completely assembled.
- Check tightness 3x's/year, with use screws can become loose.
- Do not attempt to repair or modify parts that are broken or defective. Please contact us immediately.
- Enjoy your new furniture!

