



**Sunset Trading**<sup>®</sup>  
a division of Sunset Furniture Int. LLC

701 E Industrial Pk Dr  
Manchester, NH 03109  
sunsettrading.com

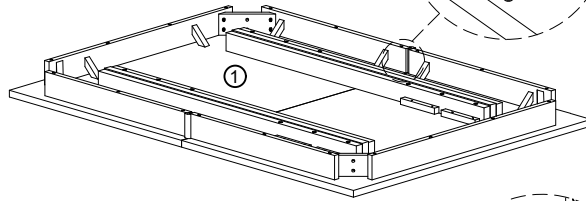
Please Contact us if you are  
Missing Parts or have any Questions  
**877-364-8464**  
info@sunsettrading.com

Thank you for purchasing this quality product!  
It has been engineered for easy assembly yet  
constructed for durability.  
Please take the time to read and follow  
the instructions while assembling.

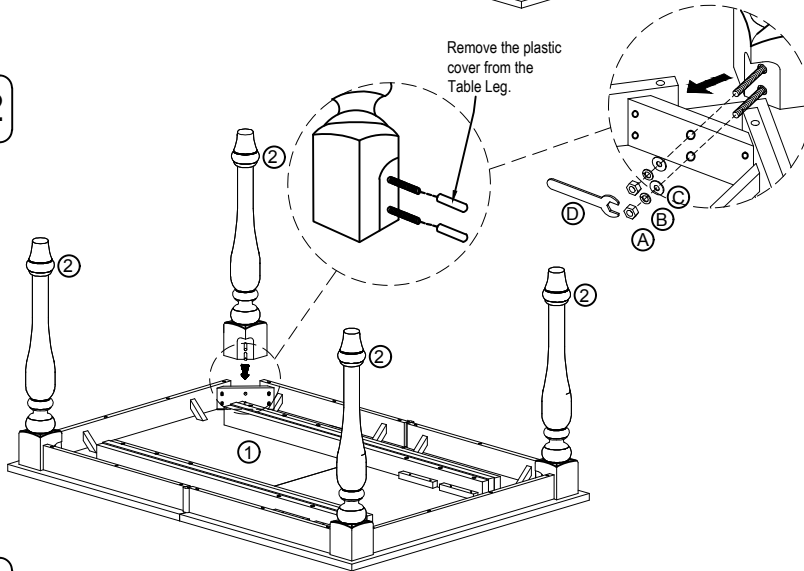
# ASSEMBLY INSTRUCTIONS

SKU: DLU-FC4296-TL

## Step 1



## Step 2



## Step 3



### List of Parts For 1 Set

Code	Figure	Part	Qty.
①		Table Top	1
②		Table Leg	4
③		Center Leaf	2

### List of Hardware For 1 Set

Code	Figure	Hardware	Qty.
A		Hexagon Nut 5/16" x 7 mm	8
B		Spring Washer 1/4"	8
C		Flat Washer 1/4" x 18mm	8
D		Spanner	1

### ⚠ IMPORTANT NOTES:

- Keep all hardware and small parts out of reach of children.
- Remove all staples and packing straps before you start to assemble.
- Do not discard main cartons and wrapping material until assembly is complete.
- Check to be sure you have all parts and hardware.
- Place all wooden parts on a clean soft surface to avoid parts from being scratched
- Do not tighten all screws / bolts until completely assembled.
- Check tightness 3x's/year, with use screws can become loose.
- Do not attempt to repair or modify parts that are broken or defective. Please contact us immediately.
- Enjoy your new furniture!





**Sunset Trading®**  
a division of Sunset Furniture Int. LLC

701 E Industrial Pk Dr  
Manchester, NH 03109  
sunsettrading.com

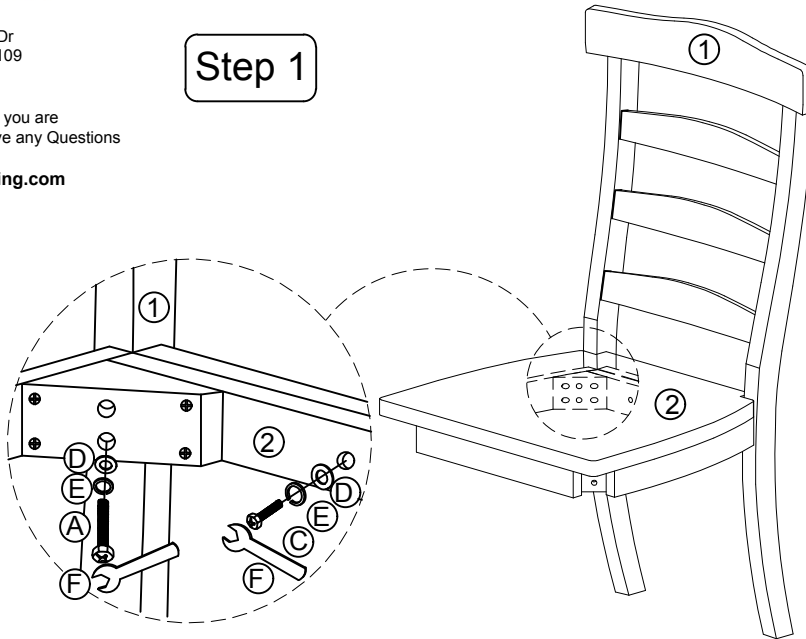
Please Contact us if you are  
Missing Parts or have any Questions  
877-364-8464  
info@sunsettrading.com

Thank you for purchasing this quality product!  
It has been engineered for easy assembly yet  
constructed for durability.  
Please take the time to read and follow  
the instructions while assembling.

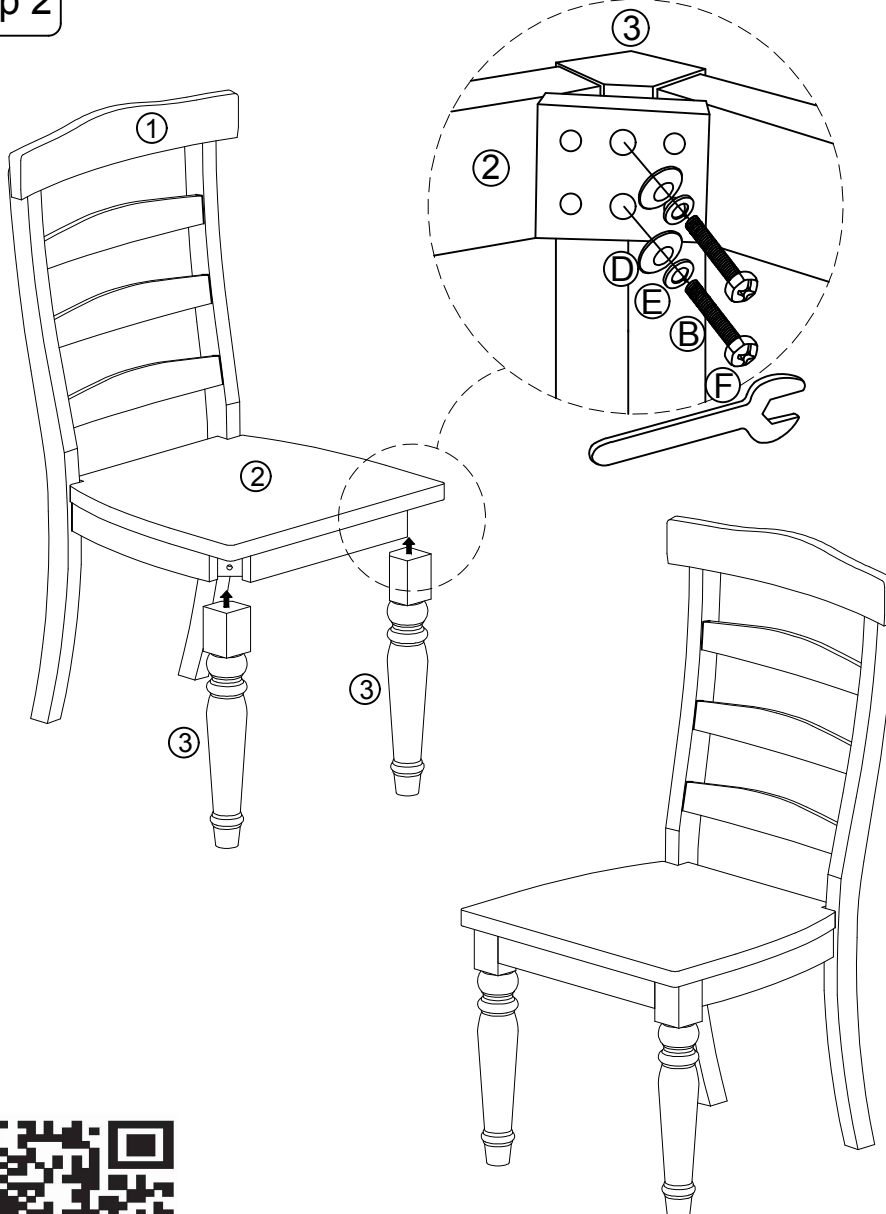
# ASSEMBLY INSTRUCTIONS

SKU : DLU-FC1432W-RTA

## Step 1



## Step 2



### List of Parts For 1 Set

Code	Figure	Part	Qty.
①		Chair Back	1
②		Chair Seat	1
③		Front Leg	2

### List of Hardware For 1 Set

Code	Figure	Hardware	Qty.
Ⓐ		Hex.Bolt M6 x 80mm	4
Ⓑ		Hex.Bolt M6 x 60mm	4
Ⓒ		Hex.Bolt M6 x 40mm	2
Ⓓ		Flat Washer 1/4" x 18mm	10
Ⓔ		Spring Washer 1/4"	10
Ⓕ		Spanner	1

### ⚠ IMPORTANT NOTES:




- Keep all hardware and small parts out of reach of children.
- Remove all staples and packing straps before you start to assemble.
- Do not discard main cartons and wrapping material until assembly is complete.
- Check to be sure you have all parts and hardware.
- Place all wooden parts on a clean soft surface to avoid parts from being scratched
- Do not tighten all screws / bolts until completely assembled.
- Check tightness 3x's/year, with use screws can become loose.
- Do not attempt to repair or modify parts that are broken or defective. Please contact us immediately.
- Enjoy your new furniture!




701 E Industrial Pk Dr  
Manchester, NH 03109  
sunsettrading.com

Please Contact us if you are  
Missing Parts or have any Questions  
**877-364-8464**  
info@sunsettrading.com

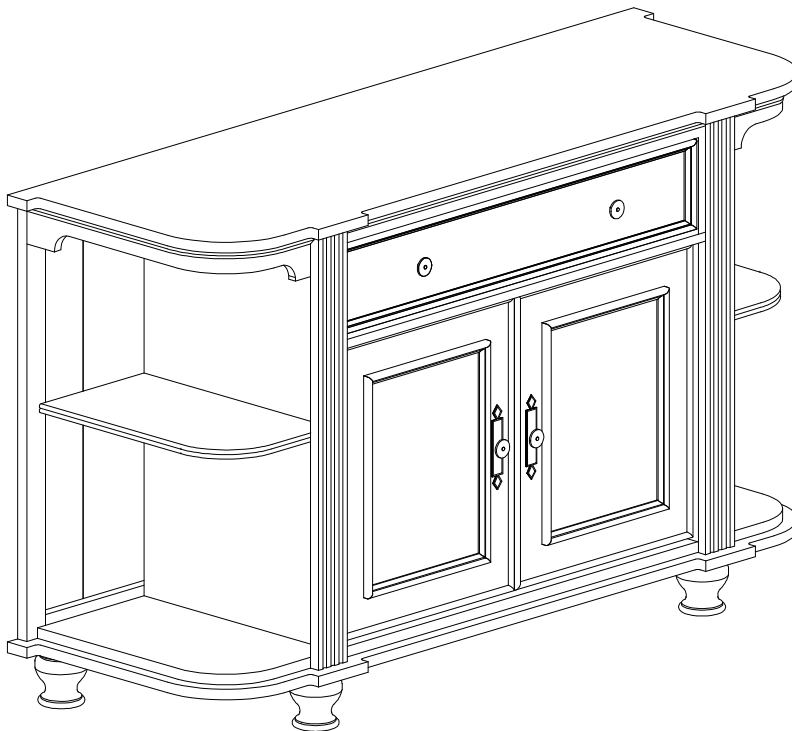
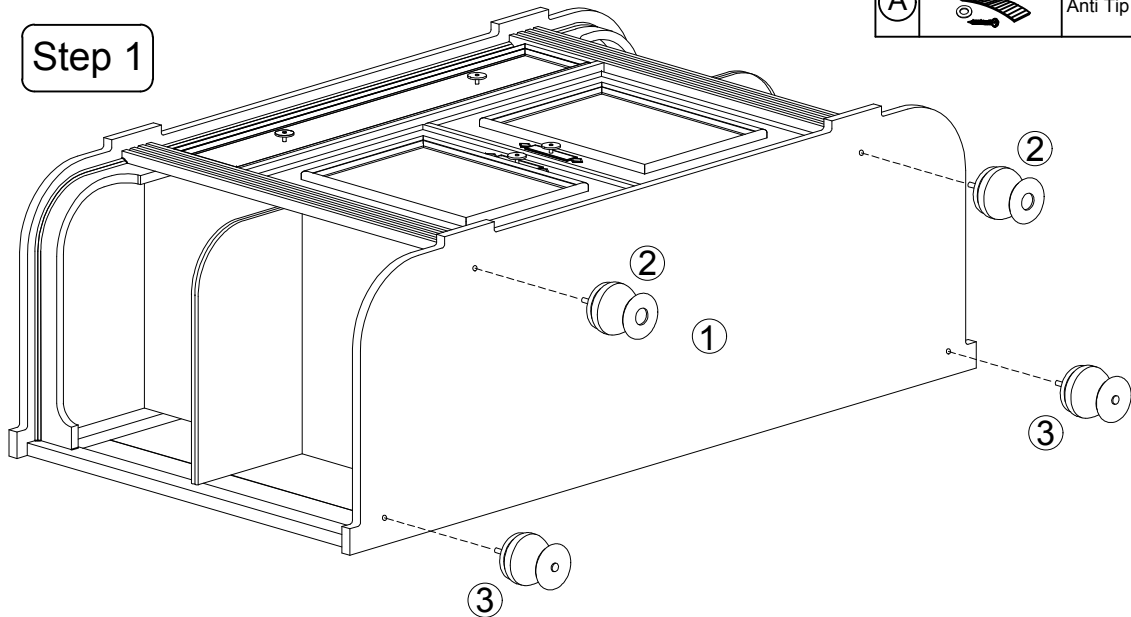
### List of Parts For 1 Set

Code	Figure	Part	Qty.
①		Buffet	1
②		Front Leg (W / Adjustable Glide)	2
③		Back Leg (W / Nail Leg)	2

### List of Hardware For 1 Set

Code	Figure	Hardware	Qty.
A		Anti Tip Kits	1

## Step 1

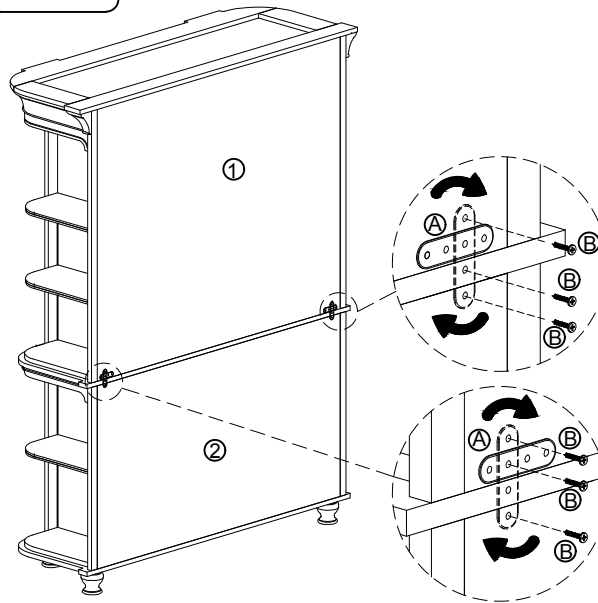


### ⚠ IMPORTANT NOTES:

- Keep all hardware and small parts out of reach of children.
- Remove all staples and packing straps before you start to assemble.
- Do not discard main cartons and wrapping material until assembly is complete.
- Check to be sure you have all parts and hardware.
- Place all wooden parts on a clean soft surface to avoid parts from being scratched
- Do not tighten all screws / bolts until completely assembled.
- Check tightness 3x's/year, with use screws can become loose.
- Do not attempt to repair or modify parts that are broken or defective. Please contact us immediately.
- Enjoy your new furniture!

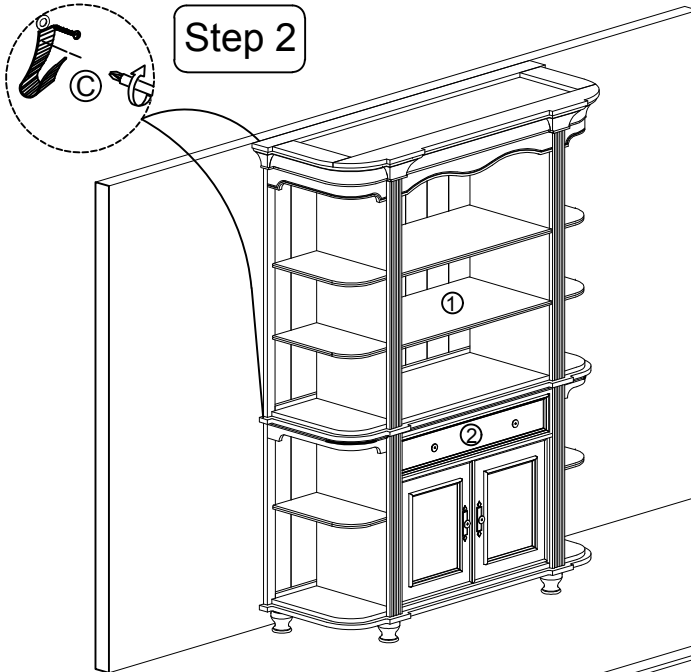


## Step 1





Affix to the wall  
behind the table

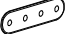


## Step 2



### List of Parts For 1 Set

Code	Figure	Part	Qty.
①		Hutch	1
②		Buffet	1

### List of Hardware For 1 Set

Code	Figure	Hardware	Qty.
A		Metal Connector	2
B		CSKCB Screw M4 x 20 mm	6
C		Anti Tip Kits	1

### ⚠ IMPORTANT NOTES:

- Keep all hardware and small parts out of reach of children.
- Remove all staples and packing straps before you start to assemble.
- Do not discard main cartons and wrapping material until assembly is complete.
- Check to be sure you have all parts and hardware.
- Place all wooden parts on a clean soft surface to avoid parts from being scratched
- Do not tighten all screws / bolts until completely assembled.
- Check tightness 3x's/year, with use screws can become loose.
- Do not attempt to repair or modify parts that are broken or defective. Please contact us immediately.
- Enjoy your new furniture!

