





701 E Industrial Pk Dr
Manchester, NH 03109
sunsettrading.com

Please Contact us if you are
Missing Parts or have any Questions
877-364-8464
info@sunsettrading.com

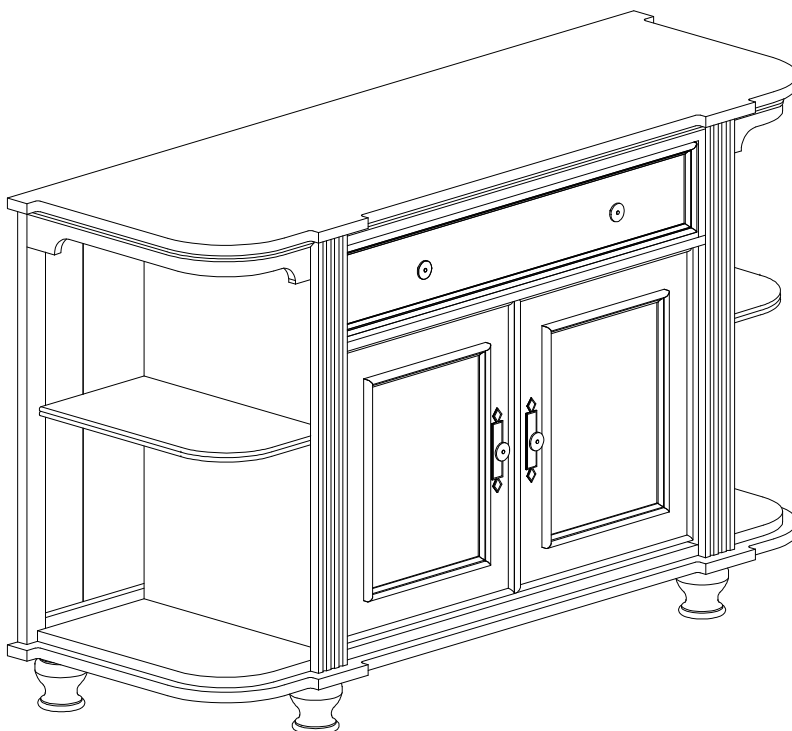
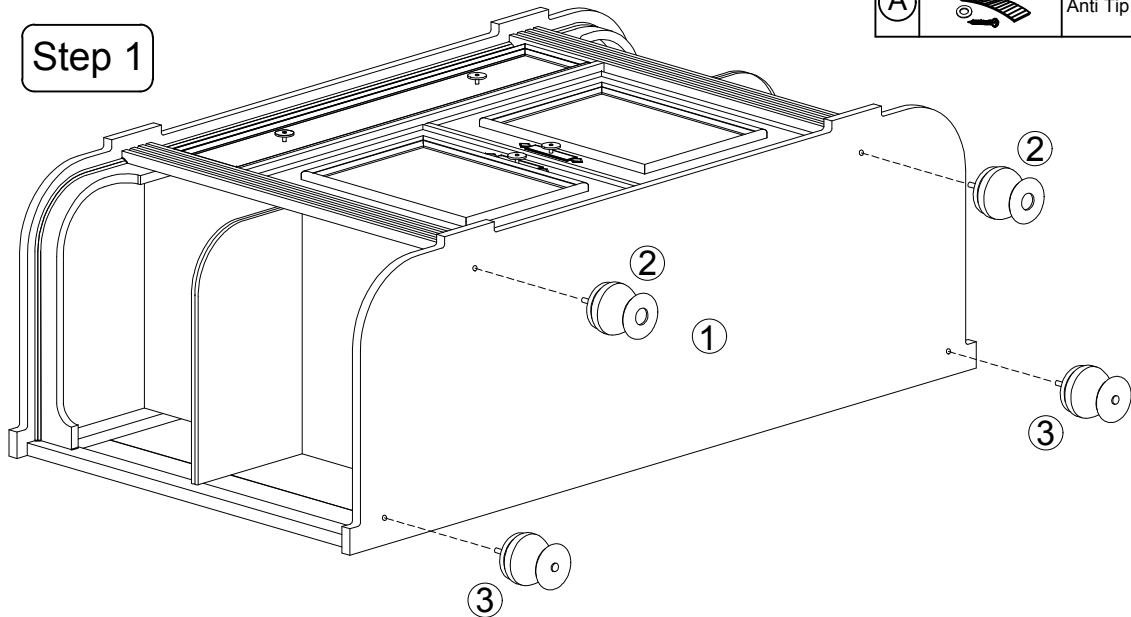
List of Parts For 1 Set

Code	Figure	Part	Qty.
①		Buffet	1
②		Front Leg (W / Adjustable Glide)	2
③		Back Leg (W / Nail Leg)	2

List of Hardware For 1 Set

Code	Figure	Hardware	Qty.
A		Anti Tip Kits	1

Step 1



⚠ IMPORTANT NOTES:

- Keep all hardware and small parts out of reach of children.
- Remove all staples and packing straps before you start to assemble.
- Do not discard main cartons and wrapping material until assembly is complete.
- Check to be sure you have all parts and hardware.
- Place all wooden parts on a clean soft surface to avoid parts from being scratched
- Do not tighten all screws / bolts until completely assembled.
- Check tightness 3x's/year, with use screws can become loose.
- Do not attempt to repair or modify parts that are broken or defective. Please contact us immediately.
- Enjoy your new furniture!

