



701 E Industrial PK Dr
Manchester NH 03109
877-364-8464
www.sunsettrading.com
info@sunsettrading.com

** Pls Check to make sure you have all parts otherwise contact local retailer or Sunset Trading customer service at 877-364-8464"

Thank You for purchasing this Quality product. It has been engineered for easy assembly yet constructed for durability. Please take the time to read and follow the instruction while assembling.

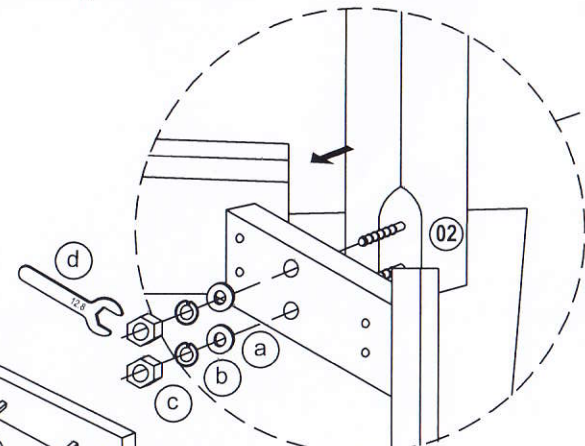
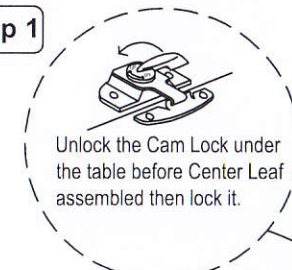
ASSEMBLY INSTRUCTION

EAST LANE DINING TABLE

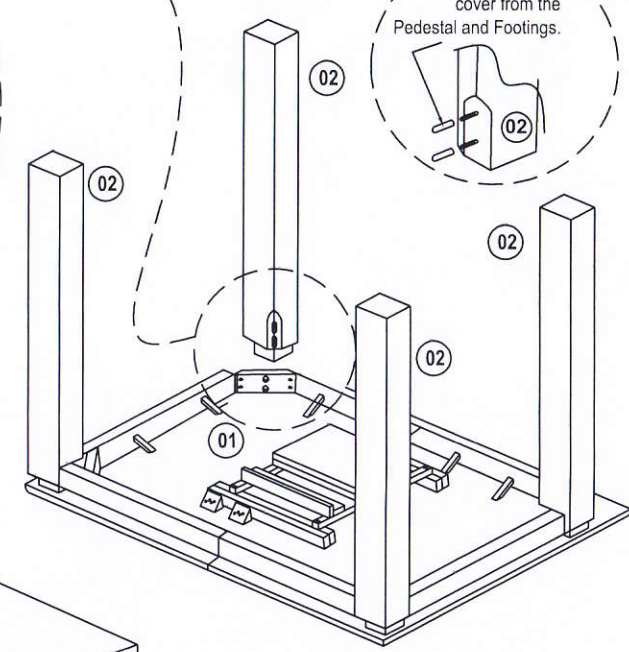
Model : DLU-EL-TL-9282-AG (DBVEB 1522)

Sunset Trading™
a div of Sunset Furniture Intl LLC

Step 1



Step 2



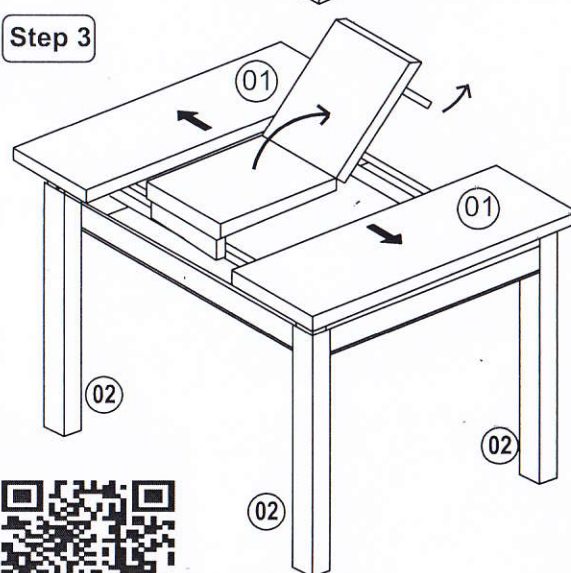
List of Part For 1 Set

01		Table Top	1
02		Leg	4

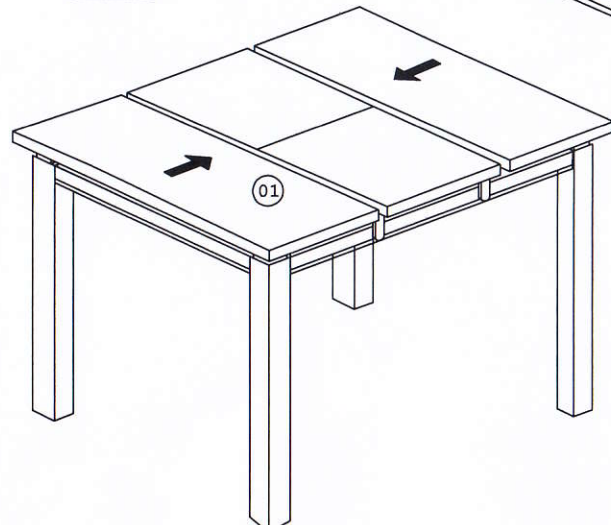
List of hardware For 1 Set

a		Flat Washer 5/16" x 22mm	8
b		Spring Washer 5/16"	8
c		Hexagon Nut 5/16" x 7mm	8
d		Spanner 12.8mm	1

Step 3



Step 4

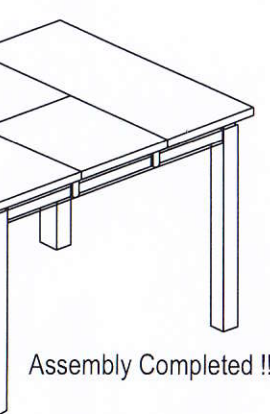


Care And Maintenance

- *The Touch of a soft cloth is all the maintenance your wood pieces will ever need.
- *Never use harsh chemicals or abrasive cleaner as they could mark or destroy finish.

⚠ Important Notes

- * Keep all hardware parts out of reach of children.
- * Must tighten screws periodically. With use screws will become loose. Check tightness of all screws every 6-8 weeks.
- * Don't attempt to repair or modify parts that are broken or defective. Please contact the store immediately.
- * Do not tighten all screw / bolt until all completely assembled



MADE IN MALAYSIA



Thank You for purchasing this Quality product. It has been engineered for easy assembly yet constructed for durability. Please take the time to read and follow the instruction while assembling.

ASSEMBLY INSTRUCTION

EAST LAND DINING CHAIR FABRIC

20" x 25 1/4" x 40 1/2"(H)

Model :DLU-EL-C90-AG-RTA (C 1618)

Sunset Trading™

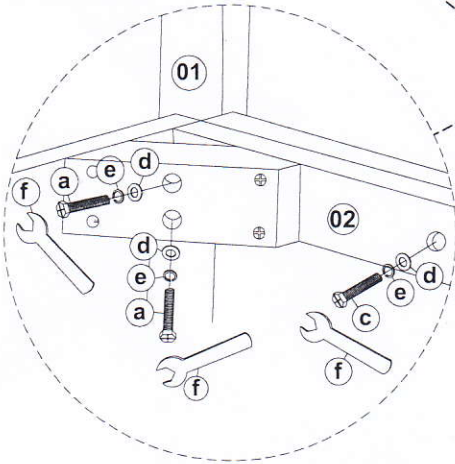
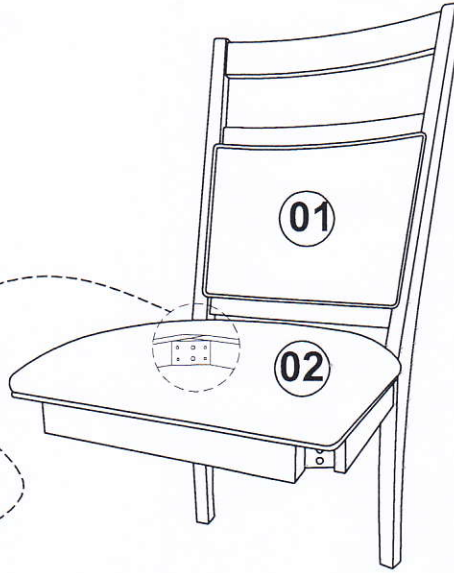
a div of Sunset Furniture Intl.LLC

701 E Industrial PK Dr
Manchester NH 03109
877-364-8464

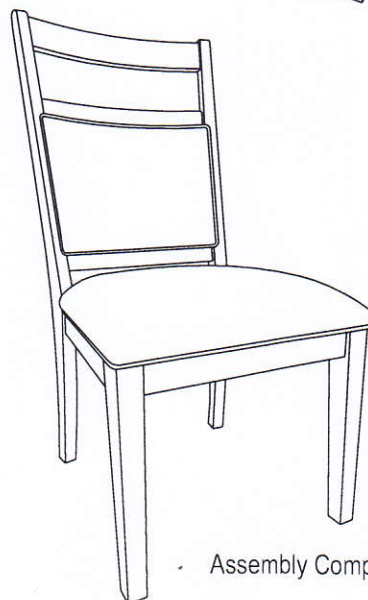
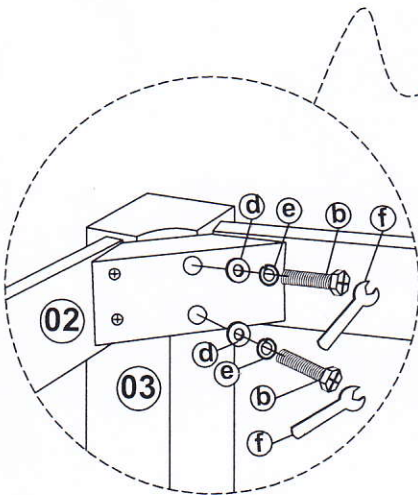
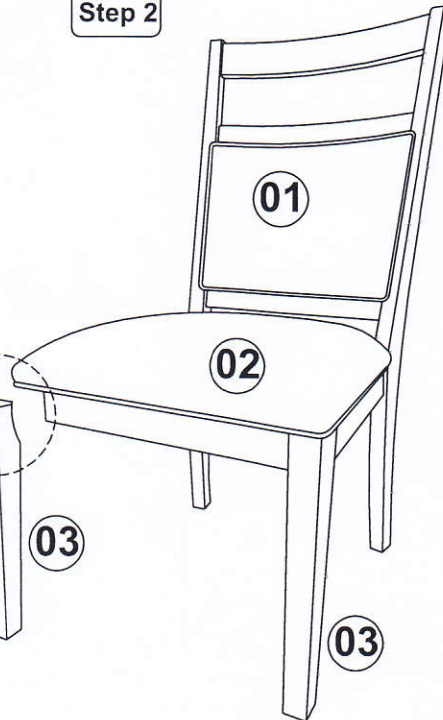
www.sunsettrading.com
info@sunsettrading.com

**Pls Check to make sure you have all parts otherwise contact local retailer or Sunset Trading customer service at 877-364-8464"

Step 1



Step 2



Assembly Completed !!!

List of Part For 1 Set

Code	Figure	Part	Qty.
01		Back Frame	1
02		Seat	1
03		Front Leg	2

List of hardware For 1 Set

Code	Figure	Hardware	Qty.
a		Hex.Bolt M6 x 80mm	4
b		Hex.Bolt M6 x 60mm	4
c		Hex.Bolt M6 x 40mm	2
d		Flat Washer 1/4" x 18 mm	10
e		Spring Washer 1/4"	10
f		Spanner 10 mm	1



Important Notes

- * Keep all hardware parts out of reach of children.
- * Must tighten screws periodically. With use screws will become loose. Check tightness of all screws every 6-8 weeks.
- * Don't attempt to repair or modify parts that are broken or defective. Please contact the store immediately.
- * Do not tighten all screw / bolt until all completely assembled.

Notes

- * Place all wooden parts on a clean and smooth surface such as a rug or carpet to avoid the parts from being scratched.
- * Check to be sure that you have all parts and hardware.
- * Remove all wrapping materials including staples & packing straps before you start to assemble.
- * Do not tighten all screws / bolts until all completely assembled.

Care And Maintenance

- * The Touch of a soft cloth is all the maintenance your wood pieces will ever need.
- * Never use harsh chemicals or abrasive cleaner as they could mark or destroy finish.





701 E Industrial PK Dr
Manchester NH 03109
877-364-8464
www.sunsettrading.com
info@sunsettrading.com

Sunset Trading™

a div of Sunset Furniture Intl.LLC

** Pls Check to make sure you have all parts otherwise contact local retailer or Sunset Trading customer service at 877-364-8464"

Thank You for purchasing this Quality product. It has been engineered for easy assembly yet constructed for durability. Please take the time to read and follow the instruction while assembling.

ASSEMBLY INSTRUCTION

EAST LANE DISPLAY HUTCH BUFFET

Model : DLU-EL-HUT-AG (H 1618)
DLU-EL-BUT-AG (B 1618)

* GLASSES NEED TO BE INSTALLED .

List of Part For 1 Set

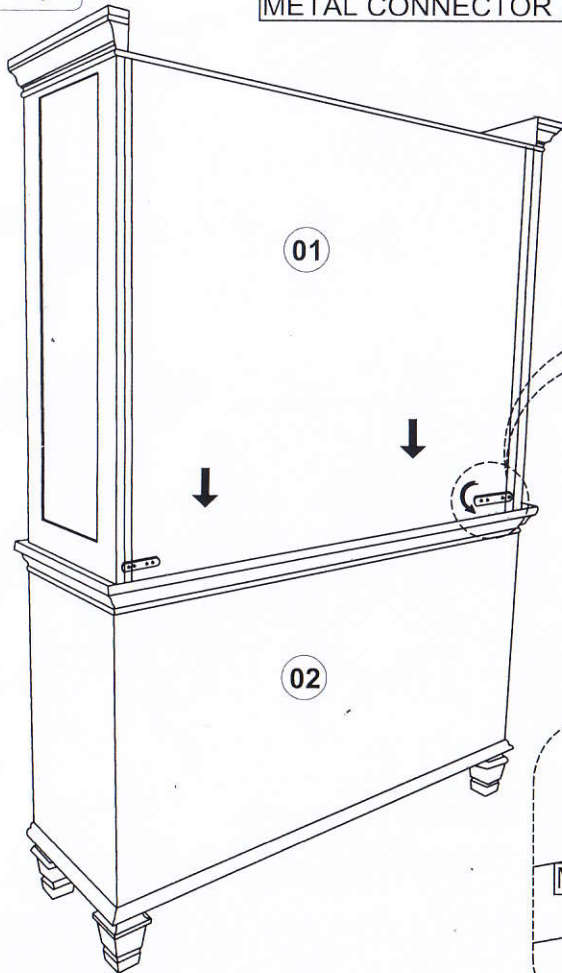
Code	Figure	Part	Qty.
01		HUTCH	1
02		BUFFET	1

List of hardware For 1 Set

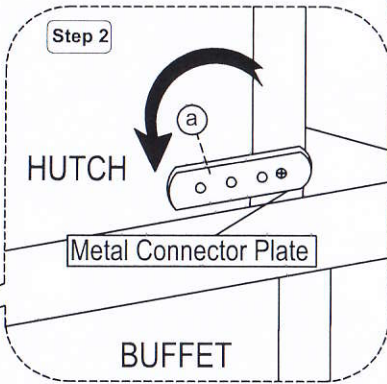
Code	Figure	Hardware	Qty.
a		Metal Connector	2
b		CSKCB Screw M4 x 20mm	6
c		SHELF SUPPORT	16
d		GLASS PACK (SHELF)	4

Step 1

METAL CONNECTOR FITTING INSTRUCTION

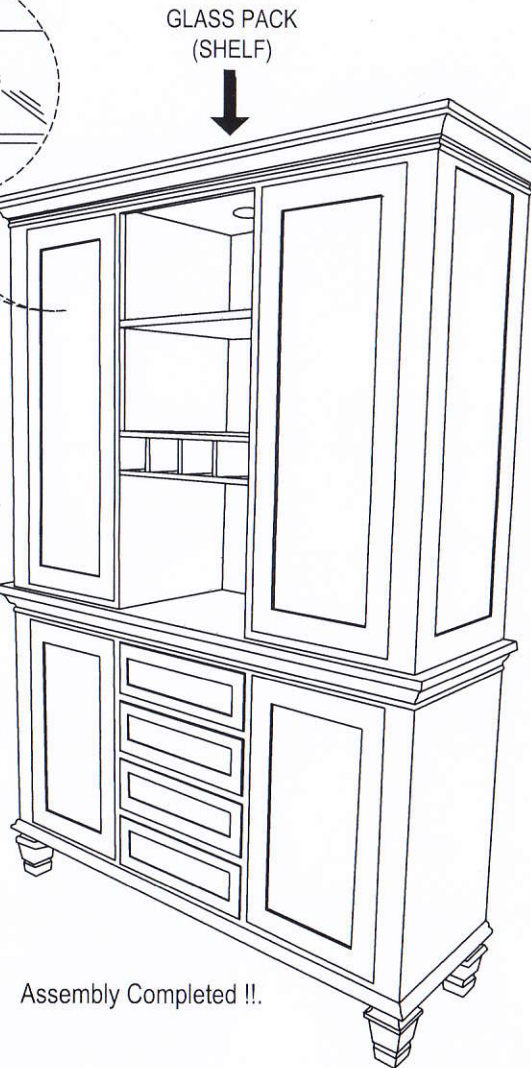
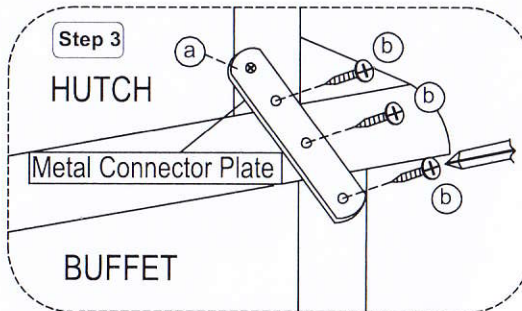


Step 2



SHELF SUPPORT →

Step 3



Care And Maintenance

- * The Touch of a soft cloth is all the maintenance your wood pieces will ever need.
- * Never use harsh chemicals or abrasive cleaner as they could mark or destroy finish.

⚠ Important Notes

- * Keep all hardware parts out of reach of children.
- * Must tighten screws periodically. With use screws will become loose. Check tightness of all screws every 6-8 weeks.
- * Don't attempt to repair or modify parts that are broken or defective. Please contact the store immediately.
- * Do not tighten all screw / bolt until all completely assembled

MADE IN MALAYSIA