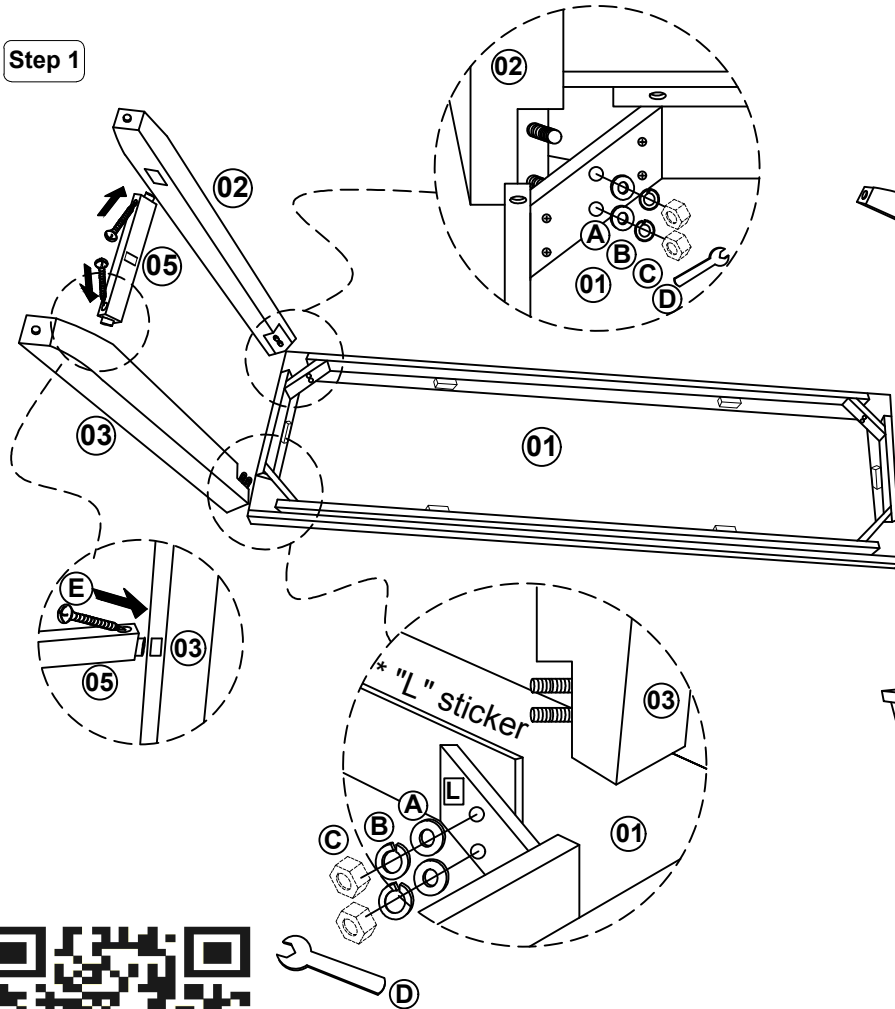
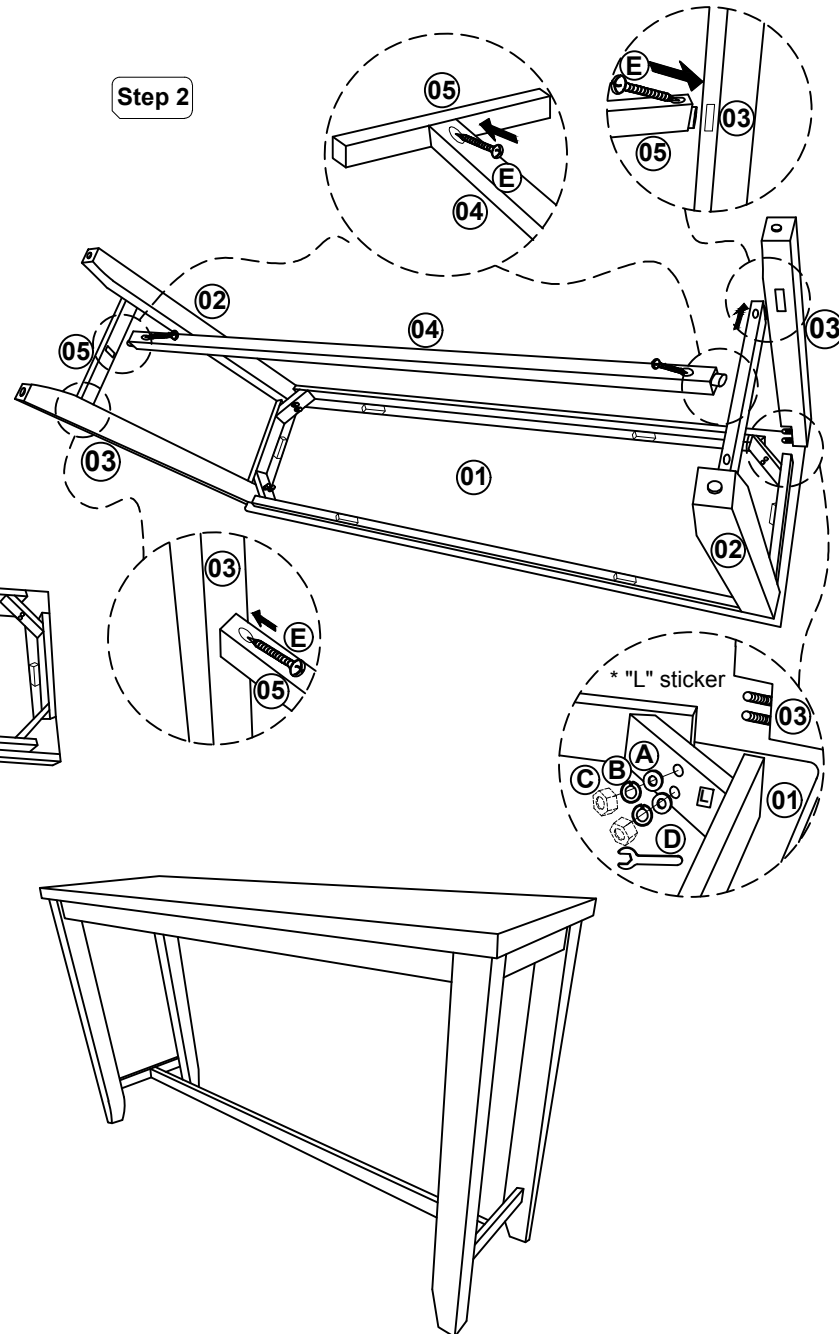


Step 1



* "L" sticker for Left Leg(03)

Step 2



List of Parts For 1 Set

01		Table Top	1
02		Right Leg	2
03		Left Leg	2
04		Center stretcher	1
05		Side stretcher	2

List of Hardware For 1 Set

A		Flat Washer 5/16" x 22mm	8
B		Spring Washer 5/16"	8
C		HEX.NUT 5/6" X 7 MM	8
D		Spanner 12.8mm	1
E		PHRS Screw #8 x 1 1/2"	6

IMPORTANT NOTES:

- Keep all hardware and small parts out of reach of children.
- Remove all staples and packing straps before you start to assemble.
- Do not discard main cartons and wrapping material until assembly is complete.
- Check to be sure you have all parts and hardware.
- Place all wooden parts on a clean soft surface to avoid parts from being scratched.
- Do not tighten all screws / bolts until completely assembled.
- Check tightness 3x/year, with use screws can become loose.
- Do not attempt to repair or modify parts that are broken or defective. Please contact us immediately.
- Enjoy your new furniture!

