



701 E Industrial Pk Dr  
Manchester, NH 03109  
sunsettrading.com

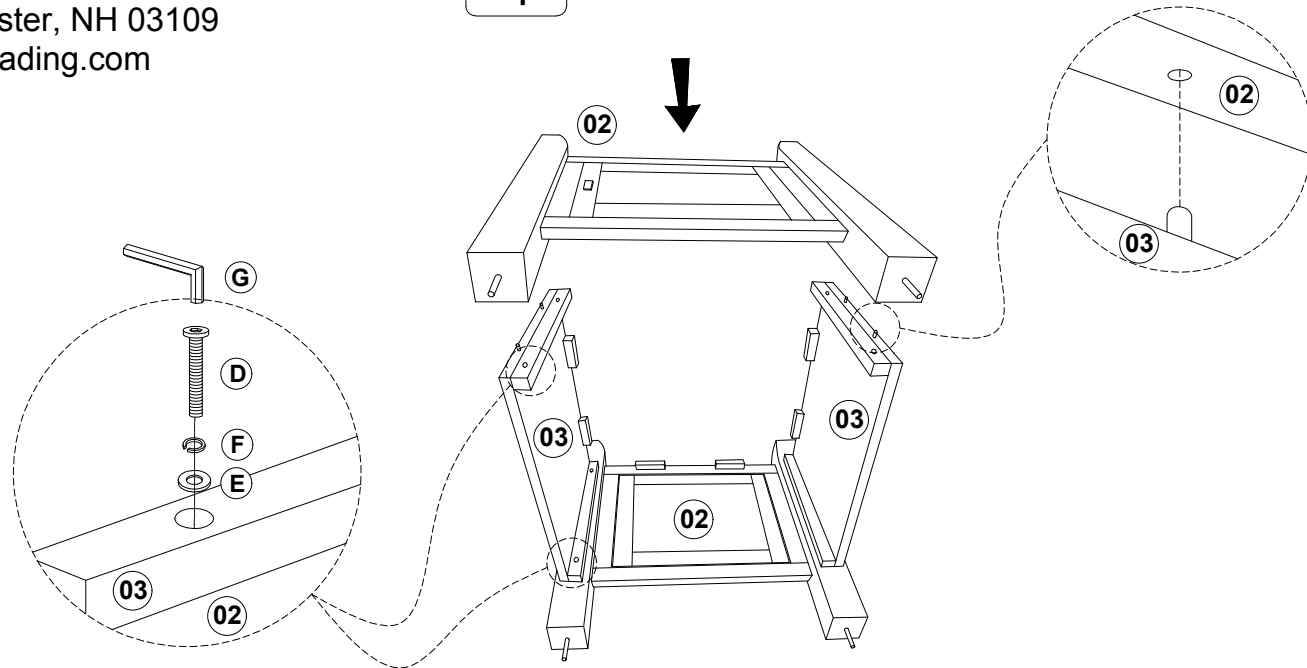
Thank you for purchasing this quality product! It has been engineered for easy assembly yet constructed for durability. Please take the time to read and follow the instructions while assembling.

Please Contact us if you are Missing Parts or have any Questions  
**877-364-8464**  
info@sunsettrading.com

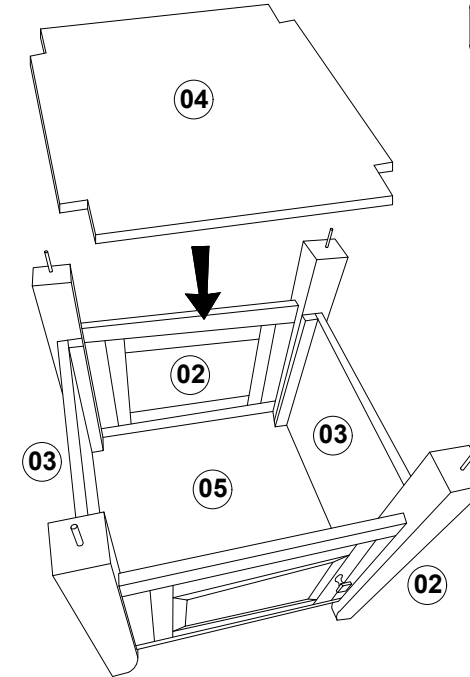
# ASSEMBLY INSTRUCTIONS

SKU: DLU-DK-TLB-5454-TA-T-CB

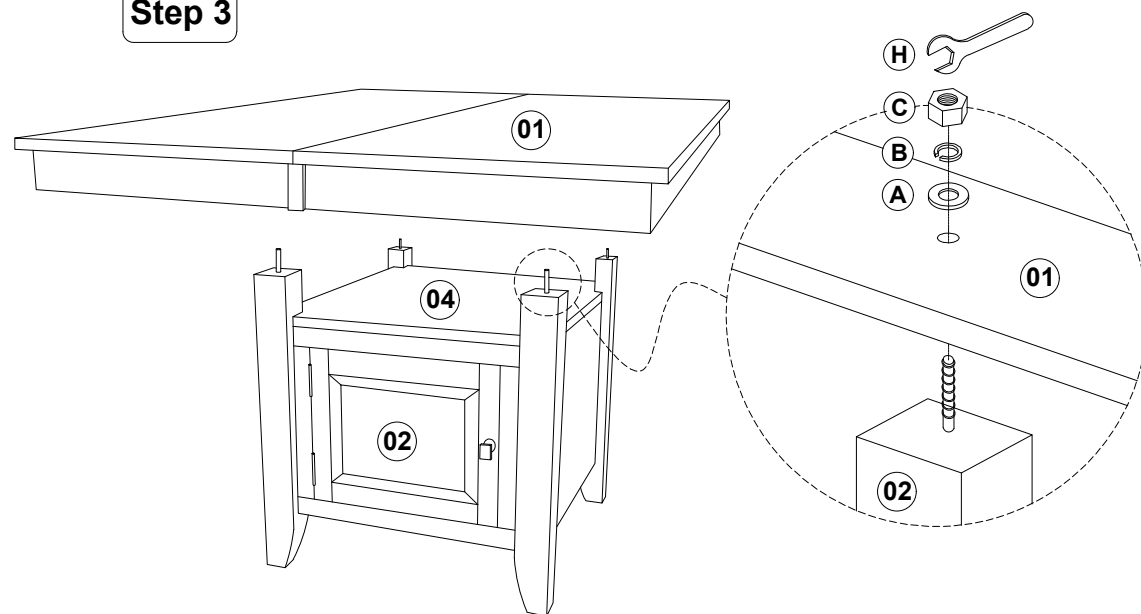
**Step 1**



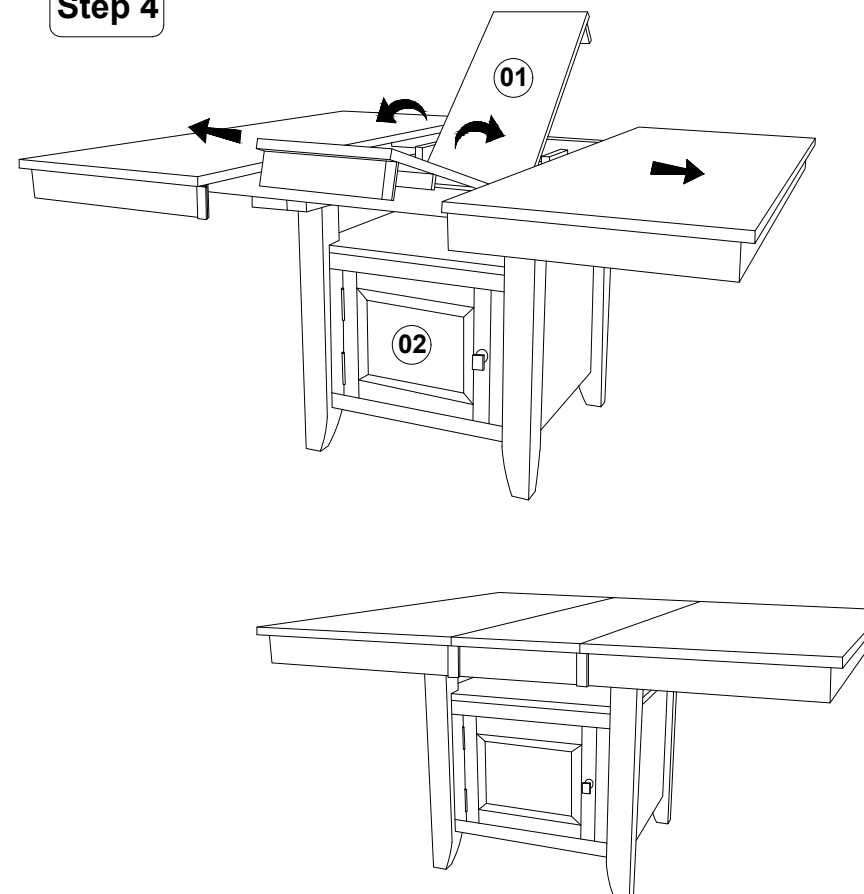
**Step 2**



**Step 3**



**Step 4**



List of Parts For 1 Set

| Code | Figure | Part         | Qty. |
|------|--------|--------------|------|
| 01   |        | Table Top    | 1    |
| 02   |        | Front Frame  | 2    |
| 03   |        | Side Panel   | 2    |
| 04   |        | Top Panel    | 1    |
| 05   |        | Bottom Panel | 1    |

List of Hardware For 1 Set

| Code | Figure | Hardware                            | Qty. |
|------|--------|-------------------------------------|------|
| A    |        | Flat Washer $\frac{5}{16}$ " x 22mm | 4    |
| B    |        | Spring Washer $\frac{5}{16}$ "      | 4    |
| C    |        | Hexagon Nut $\frac{5}{16}$ " x 7mm  | 4    |
| D    |        | JCBC Bolt M6 x 45mm                 | 8    |
| E    |        | Flat Washer $\frac{1}{4}$ " x 13mm  | 8    |
| F    |        | Spring Washer $\frac{1}{4}$ "       | 8    |
| G    |        | Allen Key M4                        | 1    |
| H    |        | Spanner 12.8mm                      | 1    |

### ⚠ IMPORTANT NOTES:

- Keep all hardware and small parts out of reach of children.
- Remove all staples and packing straps before you start to assemble.
- Do not discard main cartons and wrapping material until assembly is complete.
- Check to be sure you have all parts and hardware.
- Place all wooden parts on a clean soft surface to avoid parts from being scratched.
- Do not tighten all screws / bolts until completely assembled.
- Check tightness 3x's/year, with use screws can become loose.
- Do not attempt to repair or modify parts that are broken or defective. Please contact us immediately.
- Enjoy your new furniture!



MADE IN MALAYSIA



**Sunset Trading®**  
a division of Sunset Furniture Int. LLC

701 E Industrial Pk Dr  
Manchester, NH 03109  
sunsettrading.com

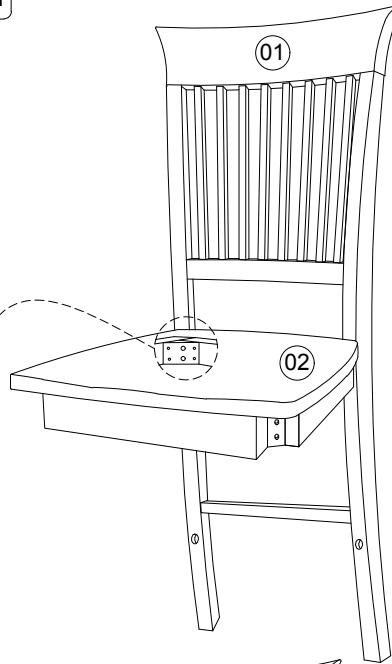
Please Contact us if you are  
Missing Parts or have any Questions  
**877-364-8464**  
info@sunsettrading.com

Thank you for purchasing this quality product!  
It has been engineered for easy assembly yet  
constructed for durability.  
Please take the time to read and follow  
the instructions while assembling.

# ASSEMBLY INSTRUCTIONS

SKU: DLU-DK-BR-B70-TA-RTA

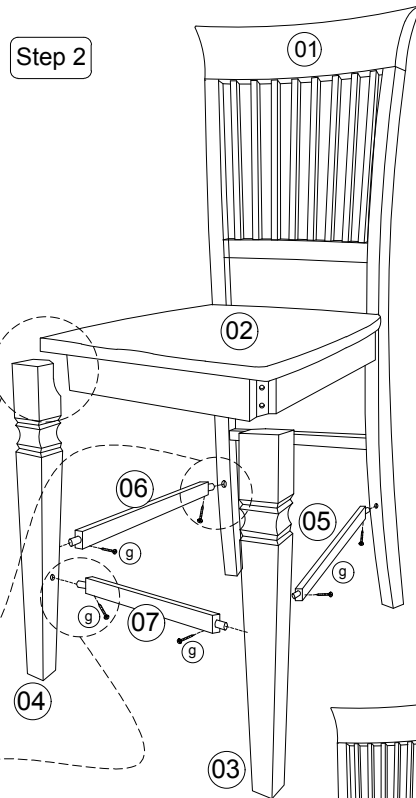
## Step 1



### List of Parts For 1 Set

| Code | Figure | Part            | Qty. |
|------|--------|-----------------|------|
| 01   |        | Back Frame      | 1    |
| 02   |        | Seat Frame      | 1    |
| 03   |        | Front Leg (R)   | 1    |
| 04   |        | Front Leg (L)   | 1    |
| 05   |        | Right Stretcher | 1    |
| 06   |        | Left Stretcher  | 1    |
| 07   |        | Front Stretcher | 1    |

## Step 2



### List of Hardware For 1 Set

| Code | Figure | Hardware                   | Qty. |
|------|--------|----------------------------|------|
| a    |        | Hex.Bolt<br>M6 x 80mm      | 4    |
| b    |        | Hex.Bolt<br>M6 x 60mm      | 4    |
| c    |        | Hex.Bolt<br>M6 x 40mm      | 2    |
| d    |        | Flat Washer<br>1/4" x 18mm | 10   |
| e    |        | Spring Washer<br>1/4"      | 10   |
| f    |        | Spanner<br>10mm            | 1    |
| g    |        | PHRS Screw<br>#8 x 1 1/2"  | 6    |

### ⚠ IMPORTANT NOTES:

- Keep all hardware and small parts out of reach of children.
- Remove all staples and packing straps before you start to assemble.
- Do not discard main cartons and wrapping material until assembly is complete.
- Check to be sure you have all parts and hardware.
- Place all wooden parts on a clean soft surface to avoid parts from being scratched
- Do not tighten all screws / bolts until completely assembled.
- Check tightness 3x's/year, with use screws can become loose.
- Do not attempt to repair or modify parts that are broken or defective. Please contact us immediately.
- Enjoy your new furniture!



MADE IN MALAYSIA



**Sunset Trading**<sup>®</sup>  
a division of Sunset Furniture Int. Inc.

701 E Industrial Pk Dr  
Manchester, NH 03109  
sunsettrading.com

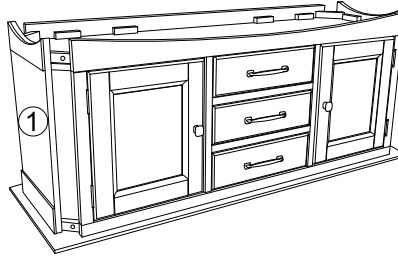
Please Contact us if you are  
Missing Parts or have any Questions  
**877-364-8464**  
info@sunsettrading.com

Thank you for purchasing this quality product!  
It has been engineered for easy assembly yet  
constructed for durability.  
Please take the time to read and follow  
the instructions while assembling

# ASSEMBLY INSTRUCTIONS

SKU: DLU-DK-1122-TA

## Step 1



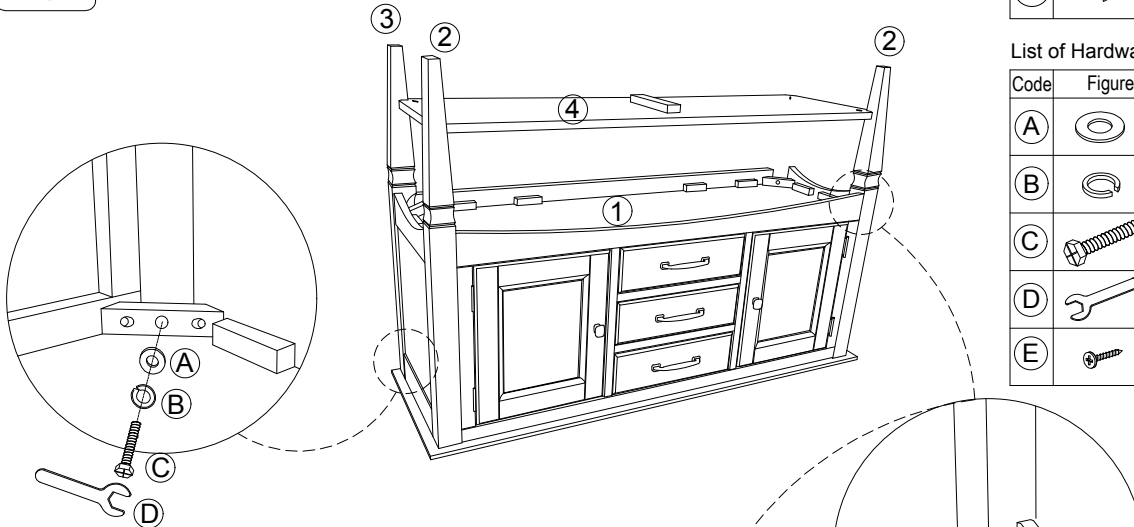
### List of Parts For 1 Set

| Code | Figure | Part         | Qty. |
|------|--------|--------------|------|
| ①    |        | Cabinet      | 1    |
| ②    |        | Front Leg    | 2    |
| ③    |        | Back Leg     | 2    |
| ④    |        | Bottom Shelf | 1    |
| ⑤    |        | Wood Rod     | 1    |

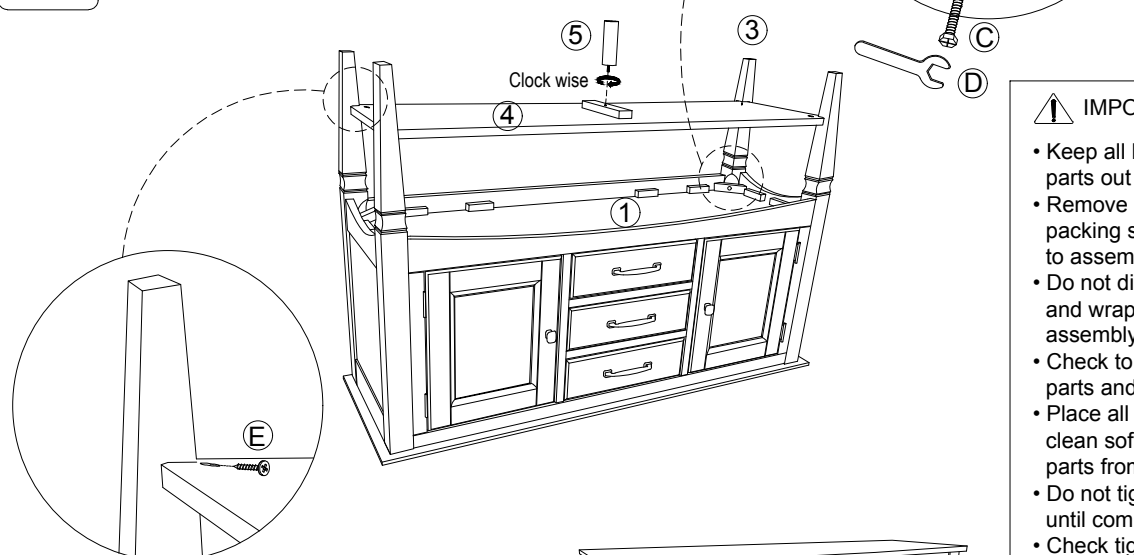
### List of Hardware For 1 Set

| Code | Figure | Hardware                            | Qty. |
|------|--------|-------------------------------------|------|
| A    |        | Flat washer $\frac{5}{16}$ " x 18mm | 8    |
| B    |        | Spring washer $\frac{5}{16}$ "      | 8    |
| C    |        | Hex.Com Bolt $\frac{5}{16}$ " x 2"  | 8    |
| D    |        | Spanner 12.8mm                      | 1    |
| E    |        | PHRS Screw #8 x 1 $\frac{1}{2}$ "   | 4    |

## Step 2



## Step 3



### ⚠ IMPORTANT NOTES:

- Keep all hardware and small parts out of reach of children.
- Remove all staples and packing straps before you start to assemble.
- Do not discard main cartons and wrapping material until assembly is complete.
- Check to be sure you have all parts and hardware.
- Place all wooden parts on a clean soft surface to avoid parts from being scratched
- Do not tighten all screws / bolts until completely assembled.
- Check tightness 3x's/year, with use screws can become loose.
- Do not attempt to repair or modify parts that are broken or defective. Please contact us immediately.
- Enjoy your new furniture!

