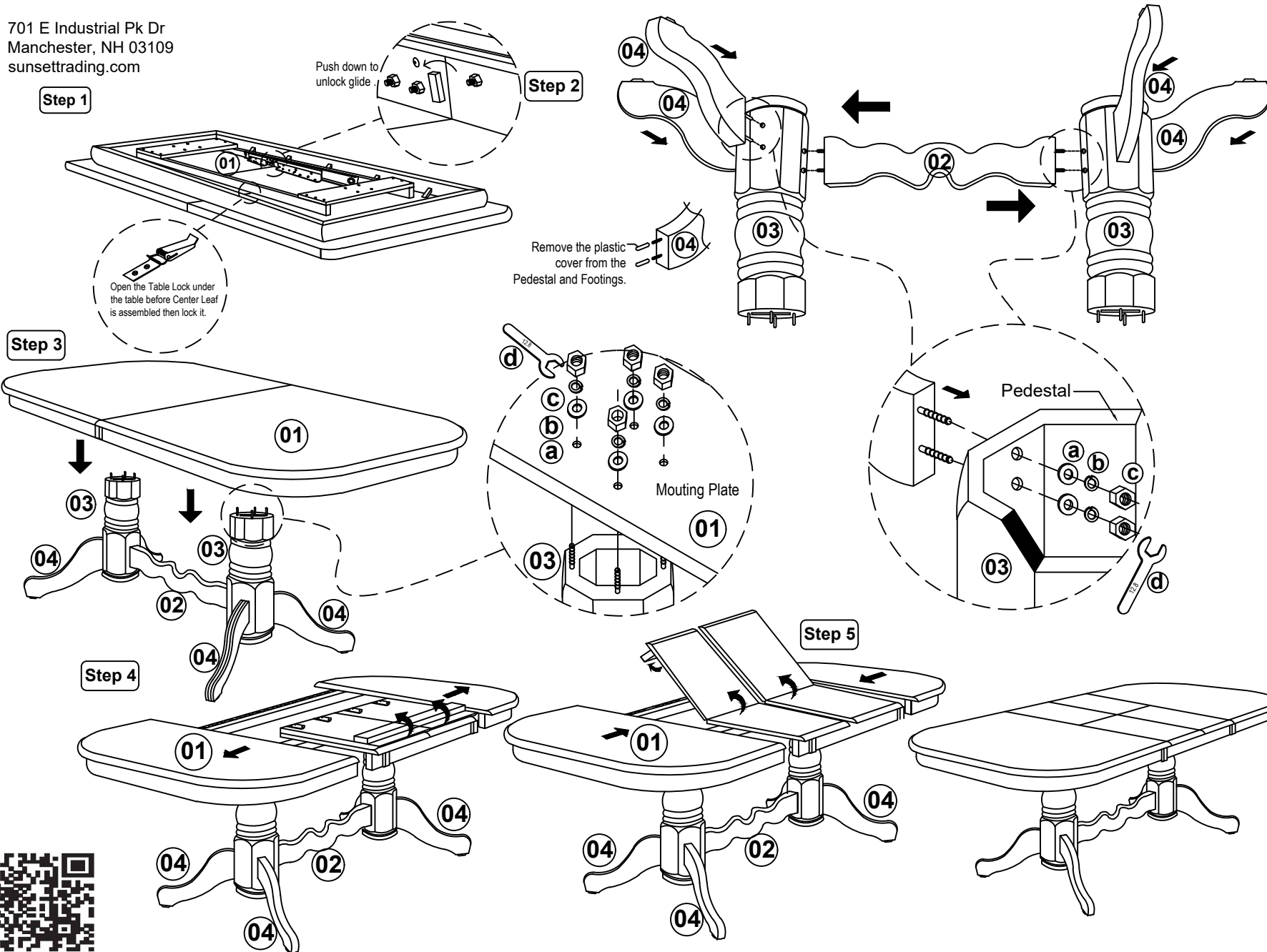


701 E Industrial Pk Dr
Manchester, NH 03109
sunsettrading.com



List of Parts For 1 Set

01		Table Top	1
02		Bottom CenterRail	1
03		Pedestal	2
04		Table Leg	4

List of Hardware for 1 Set

a		Flat Washer 5/16" x 22mm	20
b		Spring Washer 5/16"	20
c		Hexagon Nut 5/16" x 7mm	20
d		Spanner 12.8 mm	1

IMPORTANT NOTES

- Keep all hardware and small parts out of reach of children.
- Remove all staples and packing straps before you start to assemble.
- Do not discard main cartons and wrapping material until assembly is complete.
- Check to be sure you have all parts and hardware.
- Place all wooden parts on a clean soft surface to avoid parts from being scratched.
- Do not tighten all screws/ bolts until completely assembled.
- Check tightness 3x's/year, with use screws can become loose.
- Do not attempt to repair or modify parts that are broken or defective. Please contact us immediately.
- Enjoy your new furniture!





701 E Industrial Pk Dr
Manchester, NH 03109
sunsettrading.com

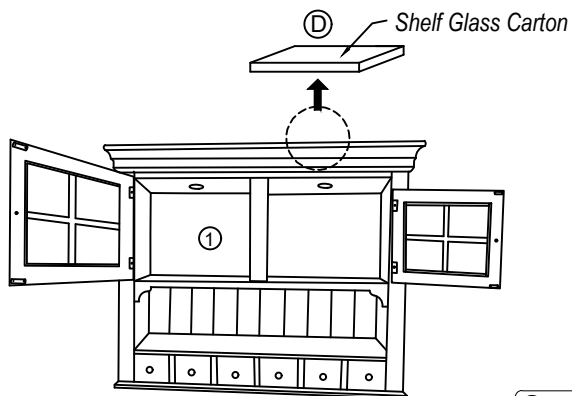
Thank you for purchasing this quality product!
It has been engineered for easy assembly yet
constructed for durability. Please take the time to
read and follow the instructions while assembling.

Please Contact us if you are
Missing Parts or have any Questions
877-364-8464
info@sunsettrading.com

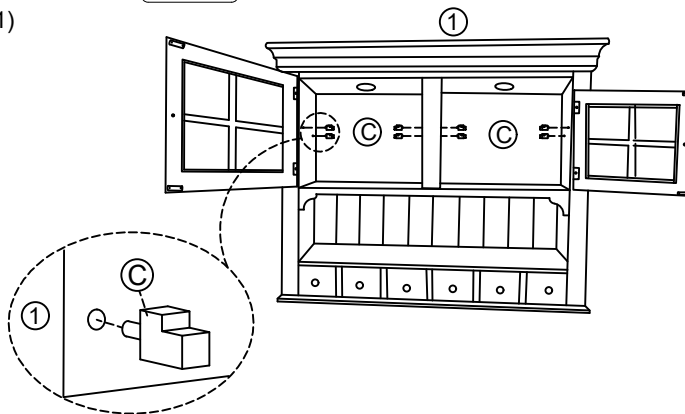
ASSEMBLY INSTRUCTIONS
SKU: DLU-CG-HUT/BUF-GO

Step 1

*Remove the glass pack on the Hutch (1)



Step 2 Install the Shelf support (C)



List of Parts For 1 Set

①		Hutch	1
②		Buffet	1

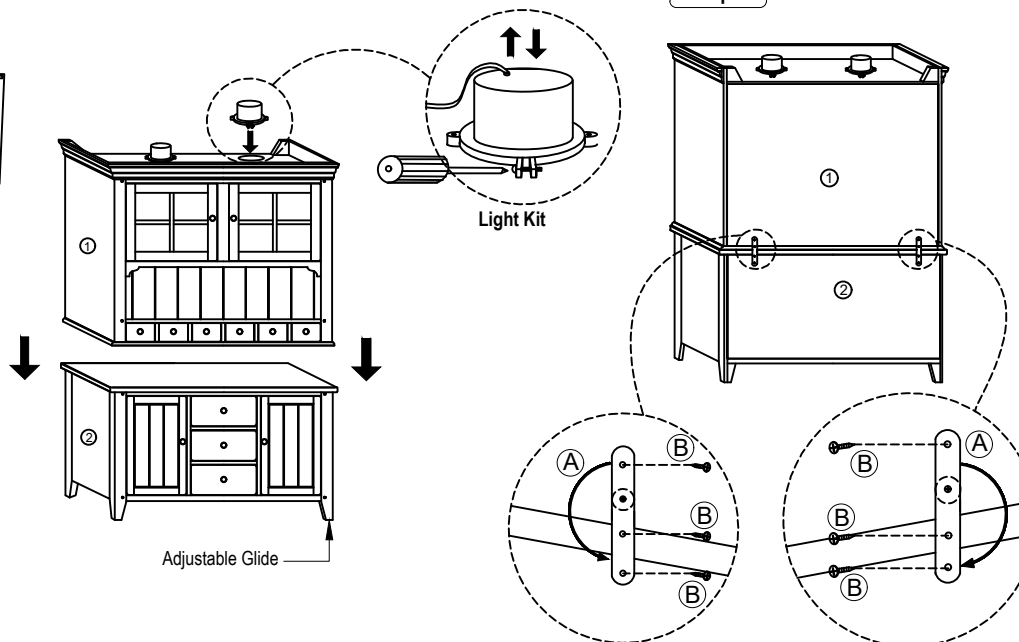
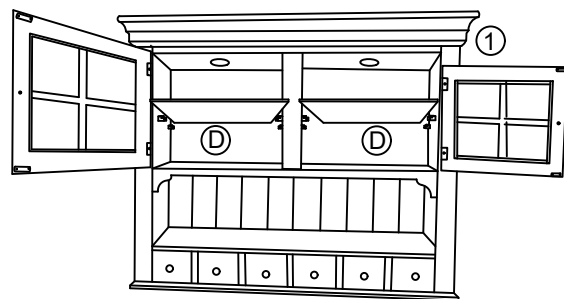
List of Hardware For 1 Set

Ⓐ		Metal Connector	2
Ⓑ		CSKCB Screw M4 x 20mm	6
Ⓒ		Shelf Support	8
Ⓓ		Shelf Glass	2

Step 4 Loosen the screw at "Light Kit" and adjust the "Light Kit" same height the other one and tighten back the screw.
*Align and attach the Hutch(1) to the Buffet(2).

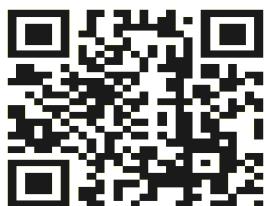
Step 5

Step 3 Install the Shelf Glass (D)



IMPORTANT NOTES:

- Keep all hardware and small parts out of reach of children.
- Remove all staples and packing straps before you start to assemble.
- Do not discard main cartons and wrapping material until assembly is complete.
- Check to be sure you have all parts and hardware.
- Place all wooden parts on a clean soft surface to avoid parts from being scratched
- Do not tighten all screws / bolts until completely assembled.
- Check tightness 3x's/year, with use screws can become loose.
- Do not attempt to repair or modify parts that are broken or defective. Please contact us immediately.
- Enjoy your new furniture!



Adjustable Glide

MADE IN MALAYSIA