



**Sunset Trading®**  
a division of Sunset Furniture Int. llo

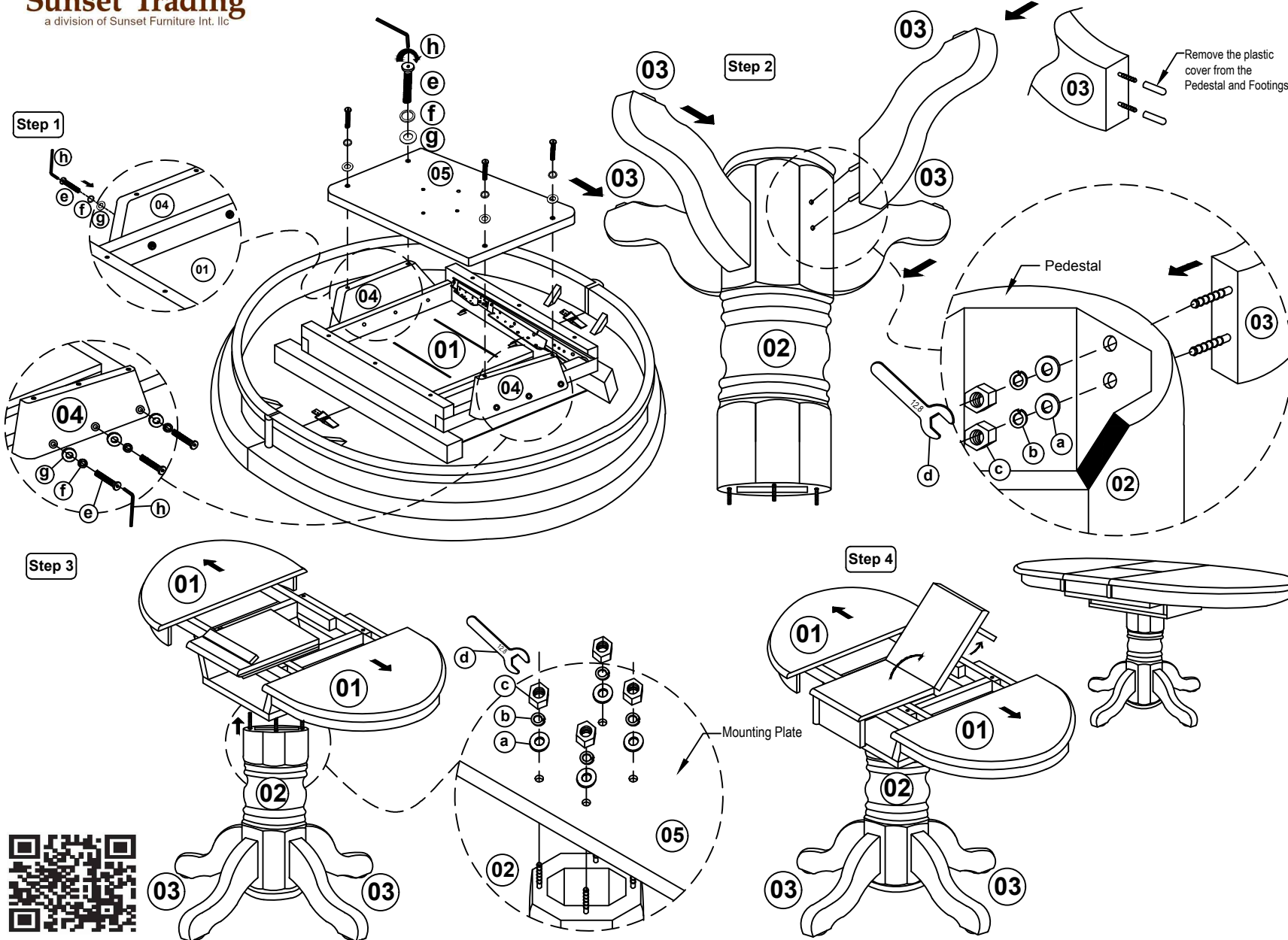
701 E Industrial Pk Dr  
Manchester, NH 03109  
sunsettrading.com

Thank you for purchasing this quality product! It has been engineered for easy assembly yet constructed for durability. Please take the time to read and follow the instructions while assembling.

Please Contact us if you are Missing Parts or have any Questions  
**877-364-8464**  
info@sunsettrading.com

# ASSEMBLY INSTRUCTIONS

SKU: DLU-BR-TP-4260-GO-T&B/CB



### List of Parts For 1 Set

01		Table Top	1
02		Pedestal	1
03		Table Leg With Leveler	4
04		Supporting Rail	2
05		Mounting Plate	1

### List of Hardware For 1 Set

a		Flat Washer 5/16" x 22mm	12
b		Spring Washer 5/16"	12
c		Hexagon Nut 5/16" x 7mm	12
d		Spanner 12.8mm	1
e		JCBC Bolt M6 x 40mm	10
f		Spring Washer 1/4"	10
g		Flat Washer 1/4 x 13mm	10
h		Allen Key M4	1

### IMPORTANT NOTES:

- Keep all hardware and small parts out of reach of children.
- Remove all staples and packing straps before you start to assemble.
- Do not discard main cartons and wrapping material until assembly is complete.
- Check to be sure you have all parts and hardware.
- Place all wooden parts on a clean soft surface to avoid parts from being scratched.
- Do not tighten all screws / bolts until completely assembled.
- Check tightness 3x's/year, with use screws can become loose.
- Do not attempt to repair or modify parts that are broken or defective. Please contact us immediately.
- Enjoy your new furniture!

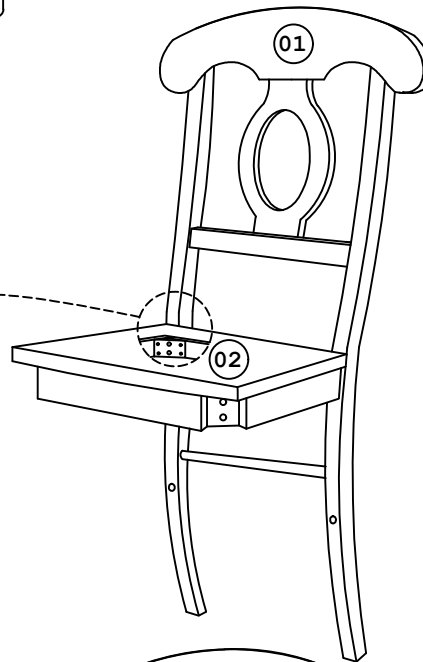


MADE IN MALAYSIA

701 E Industrial Pk Dr  
Manchester, NH 03109  
sunsettrading.com

Please Contact us if you are  
Missing Parts or have any Questions  
**877-364-8464**  
**info@sunsettrading.com**

## Step 1



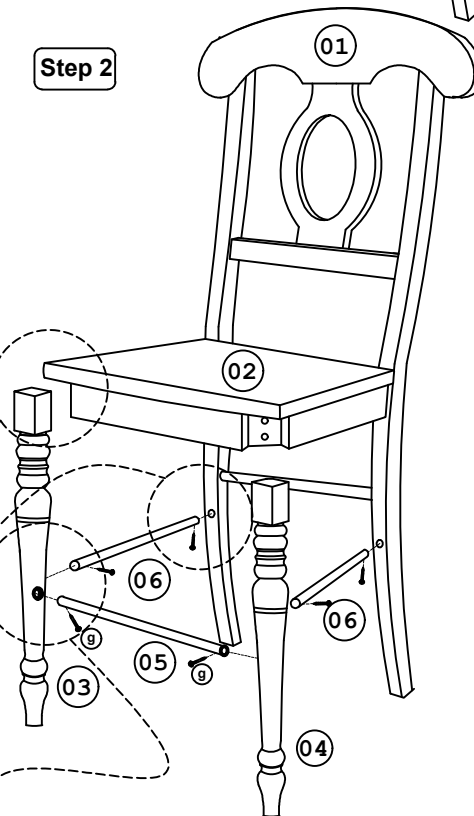
### List of Parts For 1 Set

Code	Figure	Part	Qty.
01		Back Frame	1
02		Seat Frame	1
03		Front Leg (L)	1
04		Front Leg (R)	1
05		Front Stretcher	1
06		Side Stretcher	2

### List of Hardware For 1 Set

Code	Figure	Hardware	Qty.
a		Hex.Bolt M6 x 80mm	4
b		Hex.Bolt M6 x 60mm	4
c		Hex.Bolt M6 x 40mm	2
d		Flat Washer 1/4" x 18mm	10
e		Spring Washer 1/4"	10
f		Spanner 10mm	1
g		PHRS Screw #8 x 1 1/4"	6

## Step 2



### ⚠ IMPORTANT NOTES:

- Keep all hardware and small parts out of reach of children.
- Remove all staples and packing straps before you start to assemble.
- Do not discard main cartons and wrapping material until assembly is complete.
- Check to be sure you have all parts and hardware.
- Place all wooden parts on a clean soft surface to avoid parts from being scratched
- Do not tighten all screws / bolts until completely assembled.
- Check tightness 3x's/year, with use screws can become loose.
- Do not attempt to repair or modify parts that are broken or defective. Please contact us immediately.
- Enjoy your new furniture!

