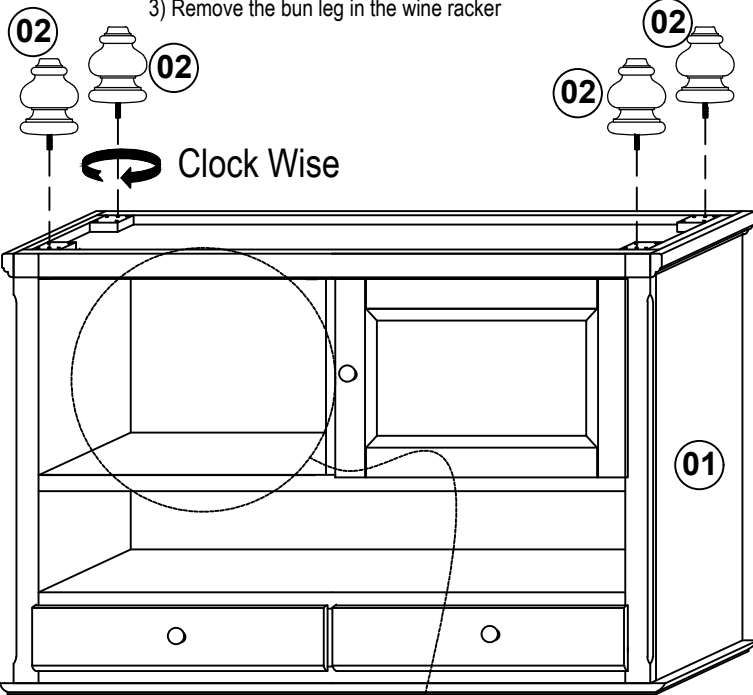


**Step 1**

- 1) Turn the under side of the Table Top over and place it on a clean and smooth surface such as rug or carpet to avoid the Table Top from being scratched.
- 2) Remove the wine racker from the cabinet
- 3) Remove the bun leg in the wine racker

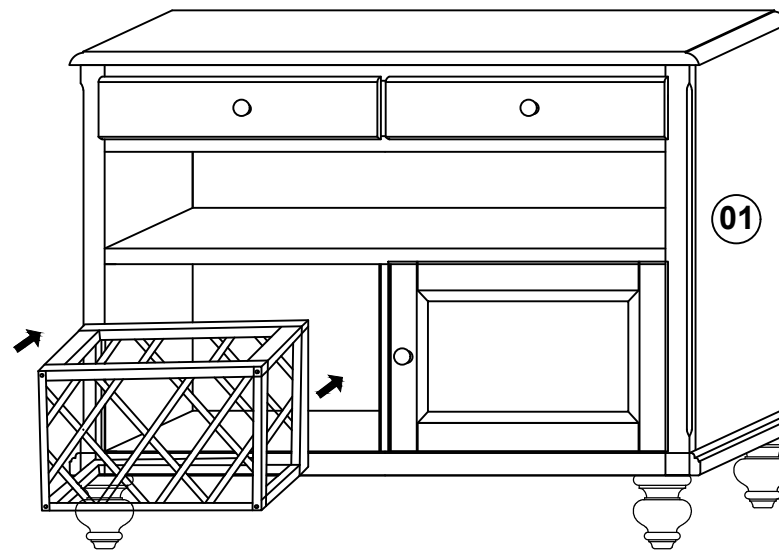


Remove the plastic cover from the Bun Leg.

02

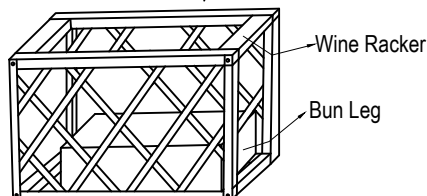
**Step 2**

- Fix the Bun Leg to the cabinet. Repeat the same step to completed.

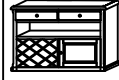



**Step 3**

- Put in the wine racker .



List of Parts For 1 Set

01		CABINET	1
02		BUN LEG	4

**IMPORTANT NOTES:**

- Keep all hardware and small parts out of reach of children.
- Remove all staples and packing straps before you start to assemble.
- Do not discard main cartons and wrapping material until assembly is complete.
- Check to be sure you have all parts and hardware.
- Place all wooden parts on a clean soft surface to avoid parts from being scratched.
- Do not tighten all screws / bolts until completely assembled.
- Check tightness 3x's/year, with use screws can become loose.
- Do not attempt to repair or modify parts that are broken or defective. Please contact us immediately.
- Enjoy your new furniture!

