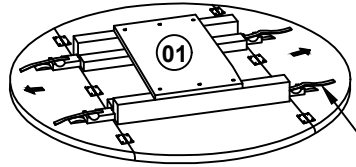
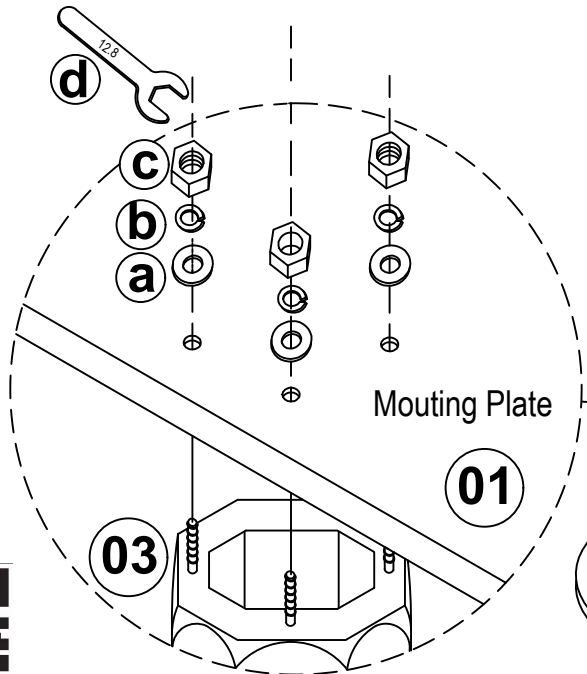


- 1 Turn the under side of the Table Top over and place it on a clean and smooth surface such as rug or carpet to avoid the Table Top from being scratched .

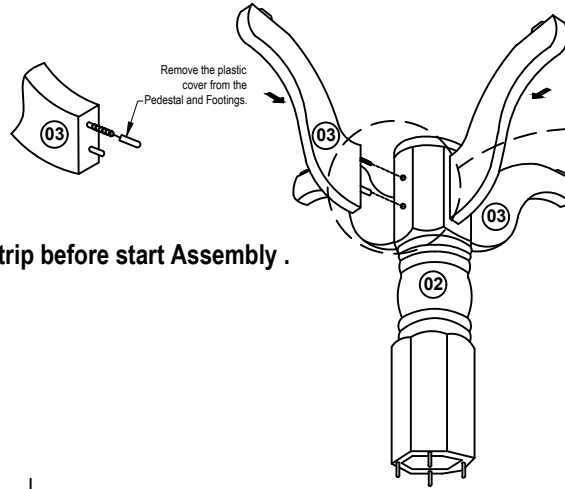


Remove the strip before start Assembly .

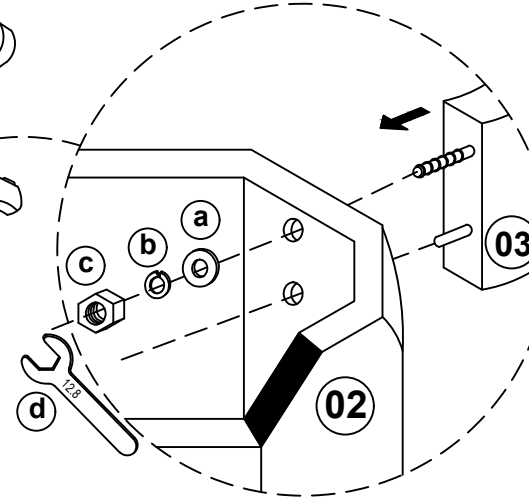
- 4 Fix the Pedestal with Flat Washer, Spring Washer & Hex Nut using the Spanner to tighten it.



- 2 Fix the Footing to the Pedestal with the Flat Washer, Spring Washer And Hex Nut using the Spanner to tighten it.



- 3 Repeat the same step for the other three Footing .



List of Parts For 1 Set

|    |  |                        |   |
|----|--|------------------------|---|
| 01 |  | Table Top              | 1 |
| 02 |  | Pedestal               | 1 |
| 03 |  | Table Leg With Leveler | 4 |

List of Hardware For 1 Set

|   |  |  |    |
|---|--|--|----|
| a |  | Flat Washer<br>$\frac{5}{16}$ " x 22mm | 12 |
| b |  | Spring Washer<br>$\frac{5}{16}$ "      | 12 |
| c |  | Hexagon Nut<br>$\frac{5}{16}$ " x 7mm  | 12 |
| d |  | Spanner<br>12.8mm                      | 1  |

**IMPORTANT NOTES:**

- Keep all hardware and small parts out of reach of children.
- Remove all staples and packing straps before you start to assemble.
- Do not discard main cartons and wrapping material until assembly is complete.
- Check to be sure you have all parts and hardware.
- Place all wooden parts on a clean soft surface to avoid parts from being scratched.
- Do not tighten all screws / bolts until completely assembled.
- Check tightness 3x's/year, with use screws can become loose.
- Do not attempt to repair or modify parts that are broken or defective. Please contact us immediately.
- Enjoy your new furniture!

