



Thank you for purchasing this quality product! It has been engineered for easy assembly yet constructed for durability. Please take the time to read and follow the instructions while assembling.

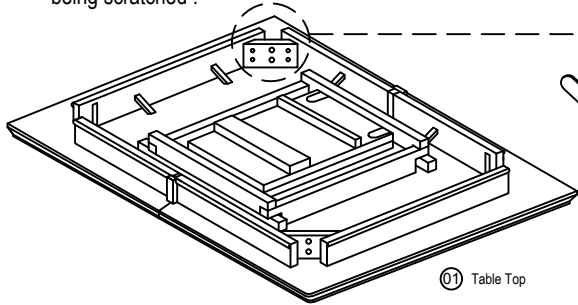
Please Contact us if you are Missing Parts or have any Questions  
**877-364-8464**  
**info@sunsettrading.com**

# ASSEMBLY INSTRUCTIONS

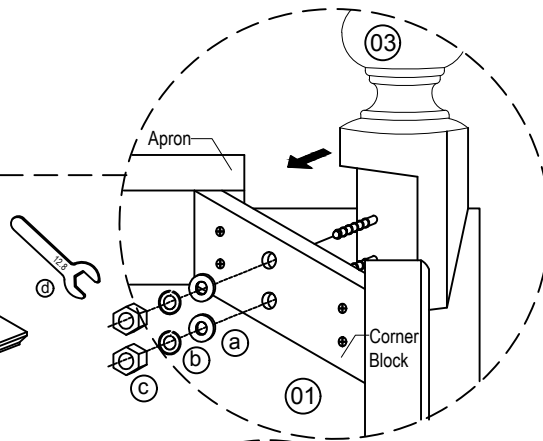
SKU: DLU-ADW-TLB-4276

701 E Industrial Pk Dr  
 Manchester, NH 03109  
 sunsettrading.com

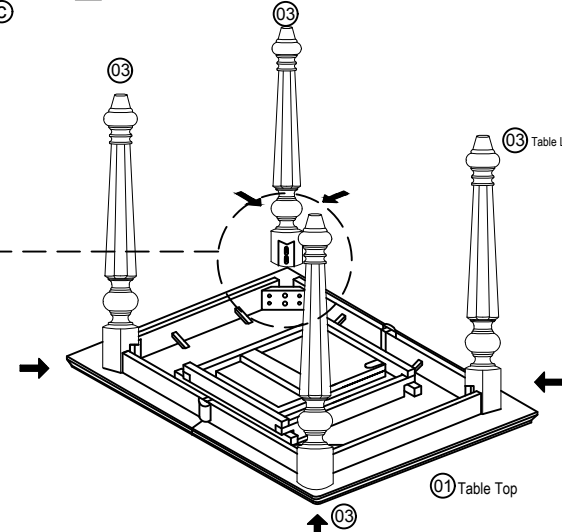
**1** Turn the under side of the Table Top **01** over and place it on a clean and smooth surface such as rug or carpet to avoid the Table Top from being scratched.



**2** Fix the turned Leg **03** to the corner of the apron with the Flat Washer **a**, Spring Washer **b** And Hex Nut **c** using the Spanner **d** to tighten it.



**3** Repeat the same step for the other three Legs **03**.



### List of Parts For 1 Set

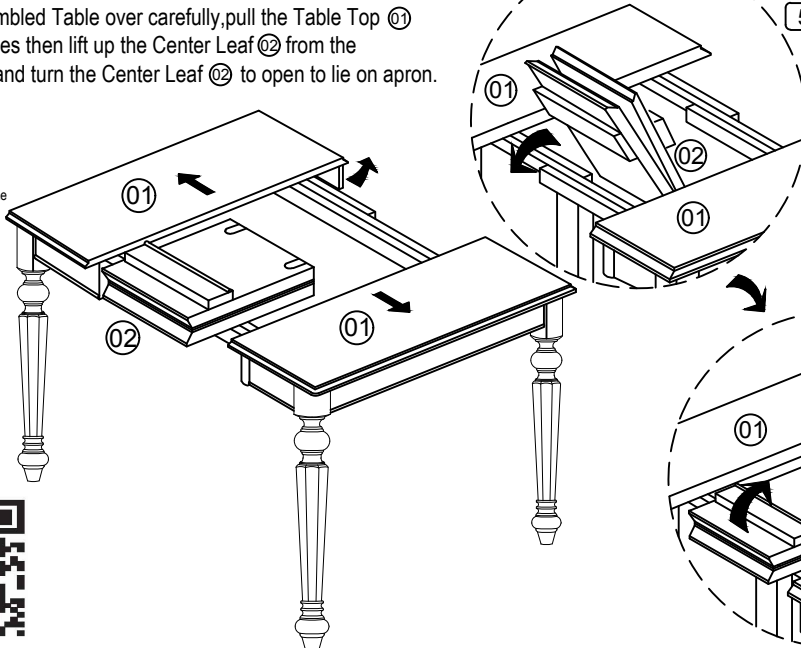
<b>01</b>		Table Top	1
<b>02</b>		Center Leaf	1
<b>03</b>		Table Leg	4

### List of Hardware For 1 Set

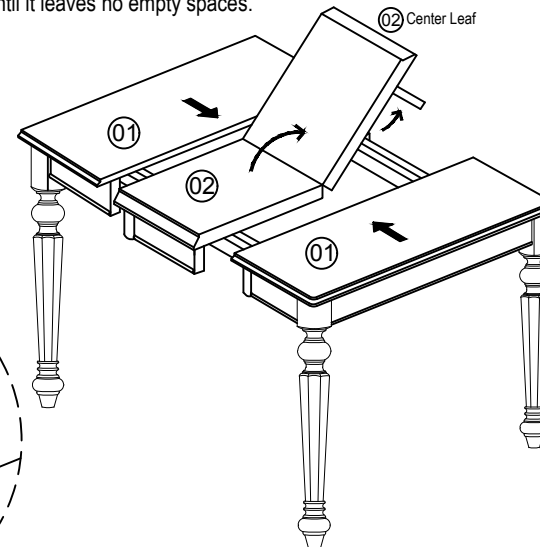
<b>a</b>		Flat Washer	8
<b>b</b>		Spring Washer	8
<b>c</b>		Hexagon Nut	8
<b>d</b>		Spanner	1

**4** Turn the assembled Table over carefully, pull the Table Top **01** to both two sides then lift up the Center Leaf **02** from the compartment and turn the Center Leaf **02** to open to lie on apron.

Open the Table Hock under the table before Center Leaf **02** is assembled and lock it.



**5** Push the side Center Top **01** at both end close to the Table Leaf **02** until it leaves no empty spaces.



### IMPORTANT NOTES:

- Keep all hardware and small parts out of reach of children.
- Remove all staples and packing straps before you start to assemble.
- Do not discard main cartons and wrapping material until assembly is complete.
- Check to be sure you have all parts and hardware.
- Place all wooden parts on a clean soft surface to avoid parts from being scratched.
- Do not tighten all screws / bolts until completely assembled.
- Check tightness 3x's/year, with use screws can become loose.
- Do not attempt to repair or modify parts that are broken or defective. Please contact us immediately.
- Enjoy your new furniture!



MADE IN MALAYSIA

