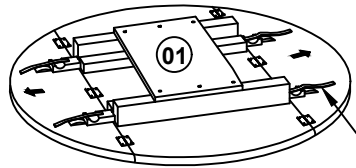
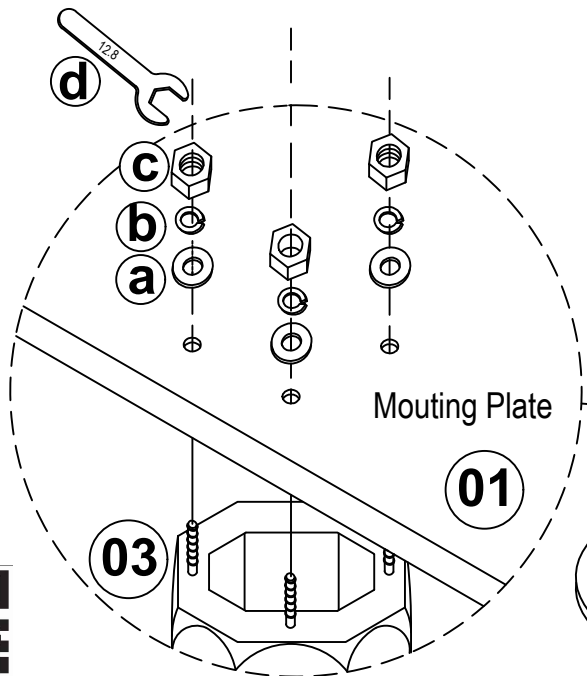


- 1** Turn the under side of the Table Top over and place it on a clean and smooth surface such as rug or carpet to avoid the Table Top from being scratched .

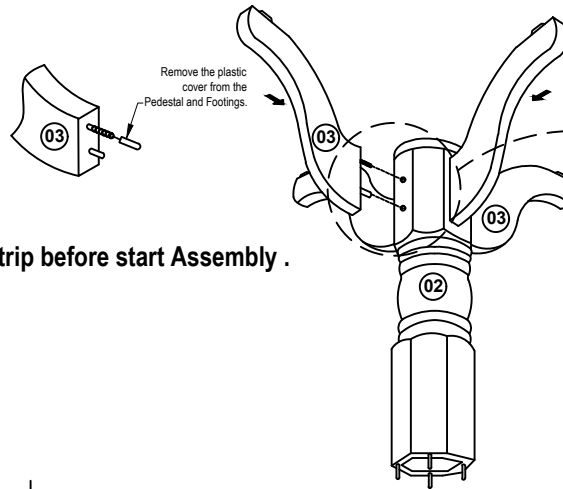


Remove the strip before start Assembly .

- 4** Fix the Pedestal with Flat Washer, Spring Washer & Hex Nut using the Spanner to tighten it.

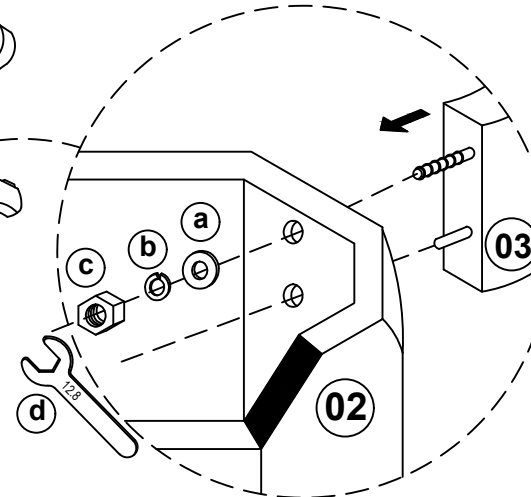


- 2** Fix the Footing to the Pedestal with the Flat Washer, Spring Washer And Hex Nut using the Spanner to tighten it.






Remove the plastic cover from the Pedestal and Footings.





- 3** Repeat the same step for the other three Footing .



List of Parts For 1 Set

01		Table Top	1
02		Pedestal	1
03		Table Leg With Leveler	4

List of Hardware For 1 Set

a		Flat Washer $\frac{5}{16}$ " x 22mm	12
b		Spring Washer $\frac{5}{16}$ "	12
c		Hexagon Nut $\frac{5}{16}$ " x 7mm	12
d		Spanner 12.8mm	1

IMPORTANT NOTES:

- Keep all hardware and small parts out of reach of children.
- Remove all staples and packing straps before you start to assemble.
- Do not discard main cartons and wrapping material until assembly is complete.
- Check to be sure you have all parts and hardware.
- Place all wooden parts on a clean soft surface to avoid parts from being scratched.
- Do not tighten all screws / bolts until completely assembled.
- Check tightness 3x's/year, with use screws can become loose.
- Do not attempt to repair or modify parts that are broken or defective. Please contact us immediately.
- Enjoy your new furniture!

