



701 E Industrial Pk Dr
Manchester, NH 03109
sunsettrading.com

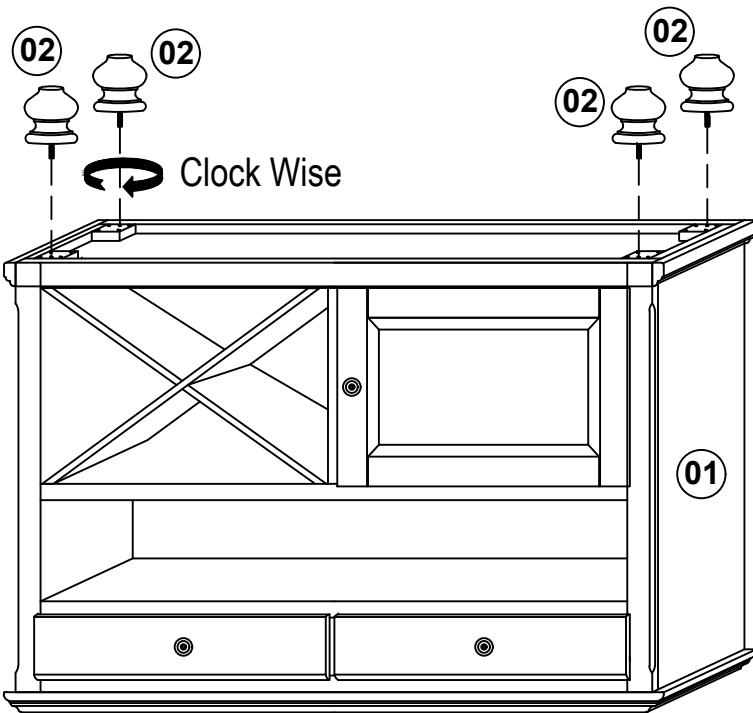
Thank you for purchasing this quality product! It has been engineered for easy assembly yet constructed for durability. Please take the time to read and follow the instructions while assembling.

Please Contact us if you are Missing Parts or have any Questions
877-364-8464
info@sunsettrading.com

ASSEMBLY INSTRUCTIONS

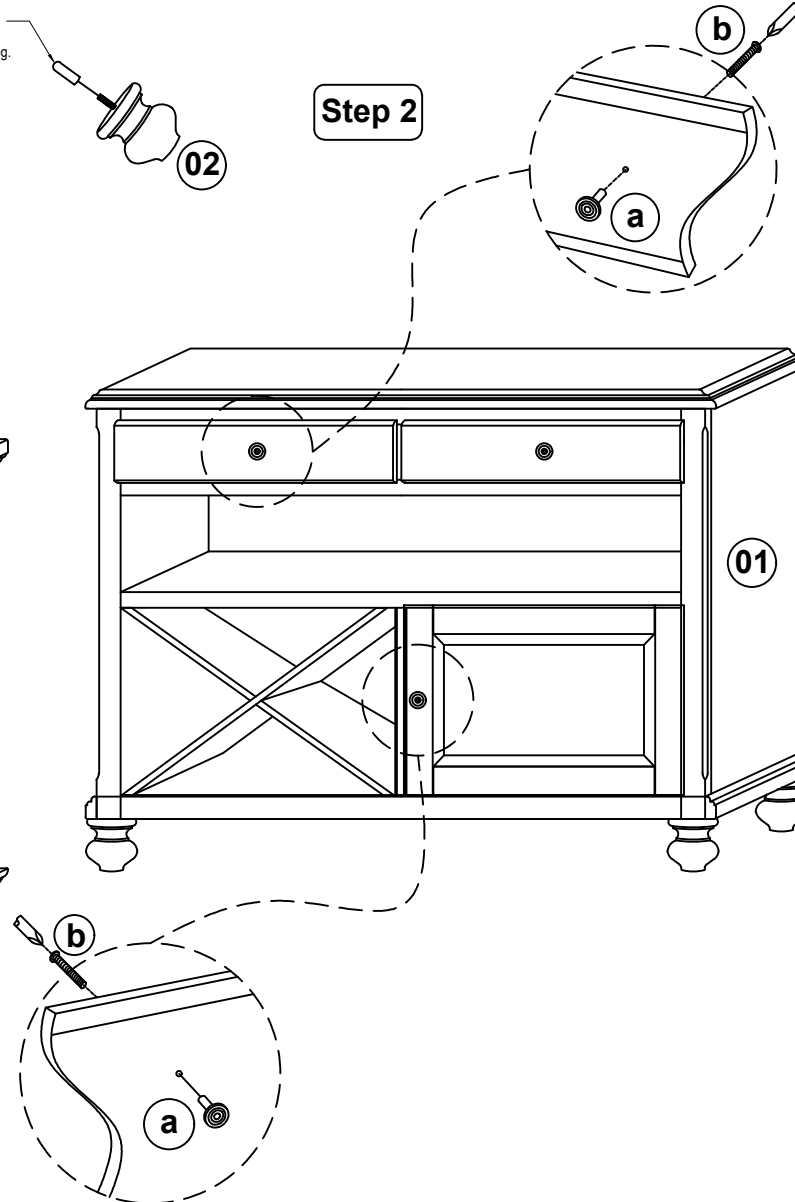
SKU: DLU-ADW-SER

Step 1



Remove the plastic cover from the Pedestal and Bun Leg.

Step 2



List of Parts For 1 Set

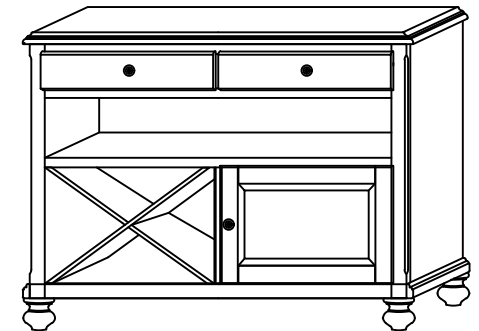
01		CABINET	1
02		BUN LEG	4

List of Hardware For 1 Set

a		HANDLE	3
b		THMS SCREW 5/32" x 25mm	3

IMPORTANT NOTES:

- Keep all hardware and small parts out of reach of children.
- Remove all staples and packing straps before you start to assemble.
- Do not discard main cartons and wrapping material until assembly is complete.
- Check to be sure you have all parts and hardware.
- Place all wooden parts on a clean soft surface to avoid parts from being scratched.
- Do not tighten all screws / bolts until completely assembled.
- Check tightness 3x's/year, with use screws can become loose.
- Do not attempt to repair or modify parts that are broken or defective. Please contact us immediately.
- Enjoy your new furniture!



MADE IN MALAYSIA

