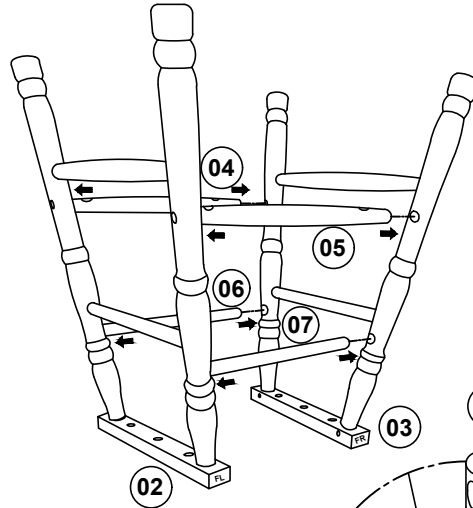
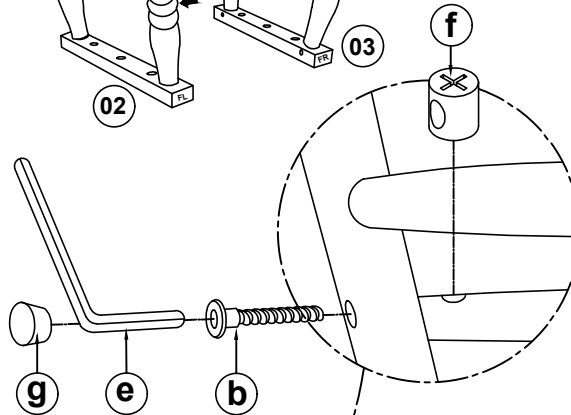


## Step 1



## Step 3



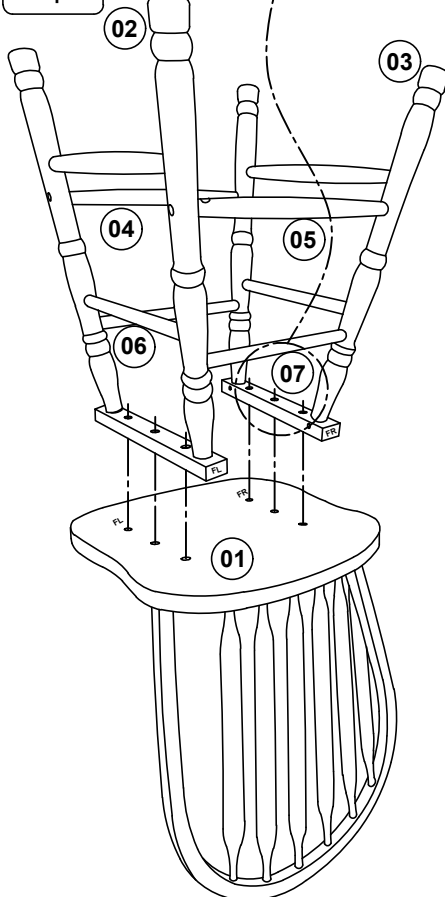
### List of Parts For 1 Set

Code	Figure	Part	Qty.
01		Chair Back	1
02		Left Leg Set (FL)	1
03		Right Leg Set (FR)	1
04		Front Lower Stretcher	1
05		Back Lower Stretcher	1
06		Front Upper Stretcher	1
07		Back Upper Stretcher	1

### List of Hardware For 1 Set

Code	Figure	Hardware	Qty.
a		JCBC Bolt M6 x 30mm	6
b		JCBC Bolt M6 x 45mm	4
c		Spring Washer 1/4"	6
d		Flat Washer 1/4" x 13mm	6
e		Allen Key	1
f		JRN Nut	4
g		Wood Button	4

## Step 2



### IMPORTANT NOTES:

- Keep all hardware and small parts out of reach of children.
- Remove all staples and packing straps before you start to assemble.
- Do not discard main cartons and wrapping material until assembly is complete.
- Check to be sure you have all parts and hardware.
- Place all wooden parts on a clean soft surface to avoid parts from being scratched
- Do not tighten all screws / bolts until completely assembled.
- Check tightness 3x's/year, with use screws can become loose.
- Do not attempt to repair or modify parts that are broken or defective. Please contact us immediately.
- Enjoy your new furniture!

