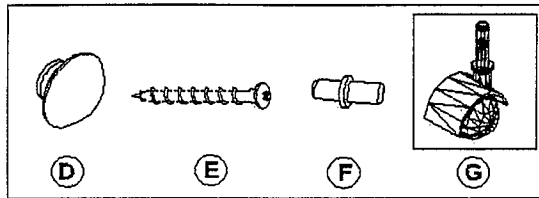
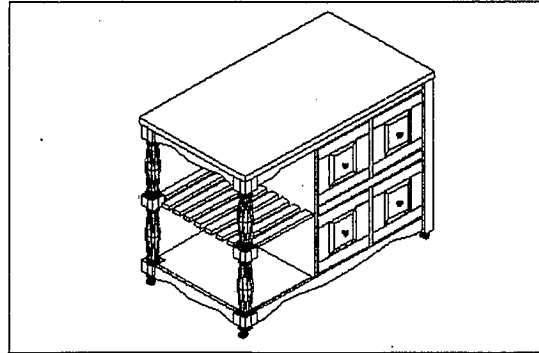


# ASSEMBLY INSTRUCTION

## KITCHEN CART ITEM # DCY-CRT-03

Please read instructions carefully. Remove all wrapping material, staples and packing straps from the carton. See Hardware and Furniture Parts List for guidance. Be sure you have all parts before you start assembling. Place all wooden furniture parts on a clean and flat soft surface, such as carpet or rug to prevent from being scratched.

LIST OF PARTS		
NO	DESCRIPTION	QTY
A	BODY	1 PC.
B	DRAWER	8PCS.
C	SHELF	1 PC.
LIST OF HARDWARES		
NO	DESCRIPTION	QTY
D	WOODEN KNOB	8 PCS
E	SCREW	8 PCS.
F	ADJUST SHELF PIN	4 PCS
G	CASTOR	4 PCS



### Step: 1

- OPEN CARTON SO THAT IT CAN BE USED AS WORK SURFACE OF ASSEMBLY
- REMOVE ALL PARTS FROM CARTON
- ATTACH WOODEN KNOBS (D) TO FRONT DRAWERS (B) BY USING SCREW (E) AND TIGHTENING WITH SCREW DRIVER

### Step: 2

- ATTACH DRAWERS (B) INTO THE BODY (A)

### Step: 3

- TO TAKE ADJUST SHELF PINS (F) ATTACH INTO THE EACH ATTACH SHELF INTO THE BODY (A)

### Step: 4

- TO TAKE CASTORS (G) ATTACH INTO THE SOCKET ON EACH LEGS

