



Sunset Trading®

a div of Sunset Furniture Intl.LLC

11 Delta Dr
Londonderry NH 03053
877-364-8464

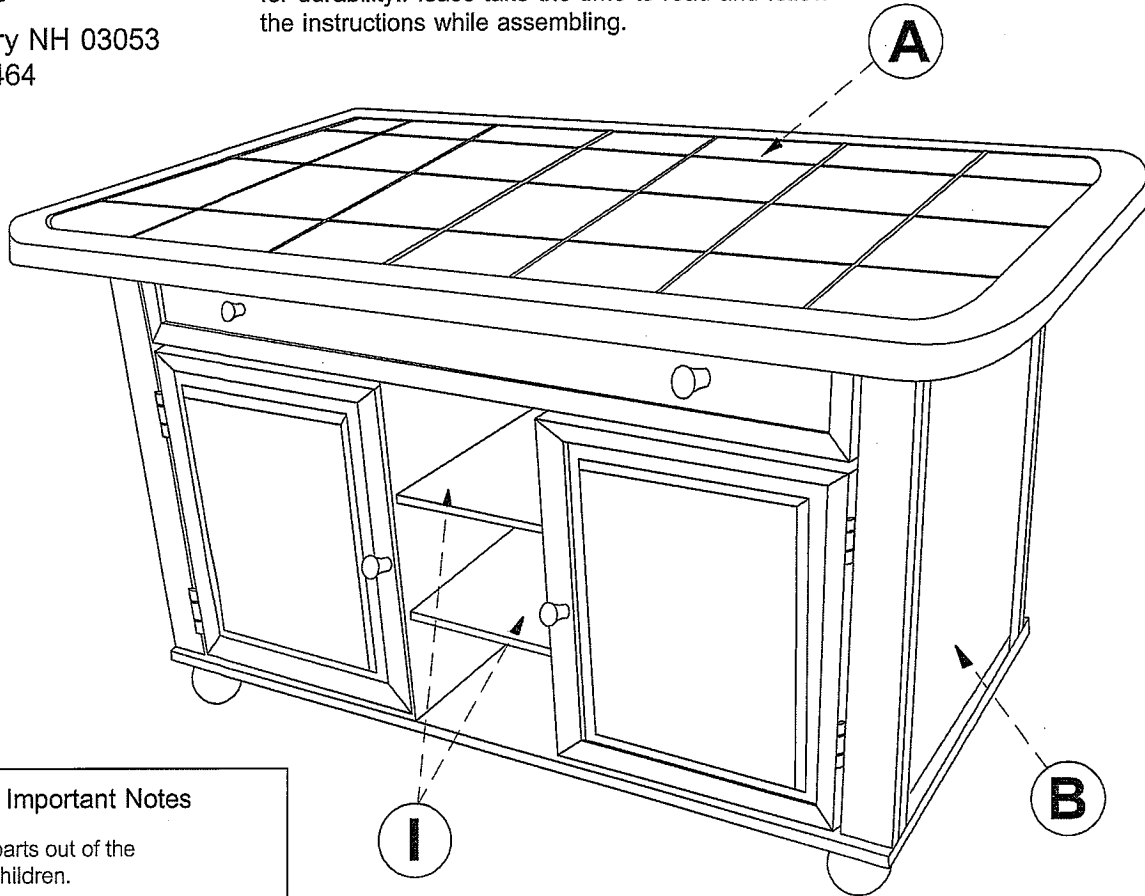
Pls Check to make sure you will have all parts otherwise contact local retailer or Sunset Trading customer service at 877-364-8464

ASSEMBLY INSTRUCTIONS

KITCHEN ISLAND
24"W x 60-1/2"L x 35"H

Model : CY-KI-TT-02

Thank you for purchasing this Quality product. It has been engineered for easy assembly yet constructed for durability. Please take the time to read and follow the instructions while assembling.

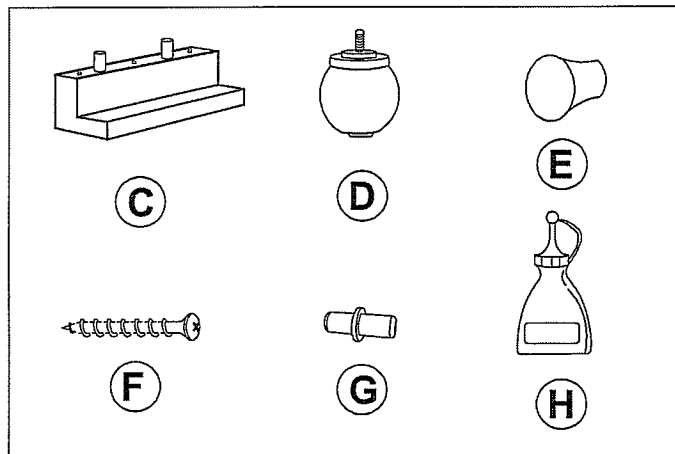


⚠ Important Notes

- Keep all parts out of the reach of children.
- Must tighten nuts periodically. with use nuts will become loose. Check tightness of all nuts every 6-8 weeks.
- Do not attempt to repair or modify parts that are broken or defective. Please contact your local retailer immediately.
- Do not tighten all nuts until all completely assembled.

LIST OF PARTS&HARDWARES

No.	Description	Qty.
(A)	TOP	1 PC.
(B)	BASE	1 PC.
(C)	WOODEN SLIDE	4 PCS.
(D)	LEGS	4 PCS.
(E)	WOODEN KNOB	4 PCS.
(F)	WOODEN SCREW	16 PCS.
(G)	ADJUSTABLE	8 PCS.
(H)	GLUE	1 PC.
(I)	SHELF	2 PCS.





Sunset Trading®

a div of Sunset Furniture Intl.LLC

11 Delta Dr
Londonderry NH 03053
877-364-8464

Pls Check to make sure you will have all parts otherwise contact local retailer or Sunset Trading customer service at 877-364-8464

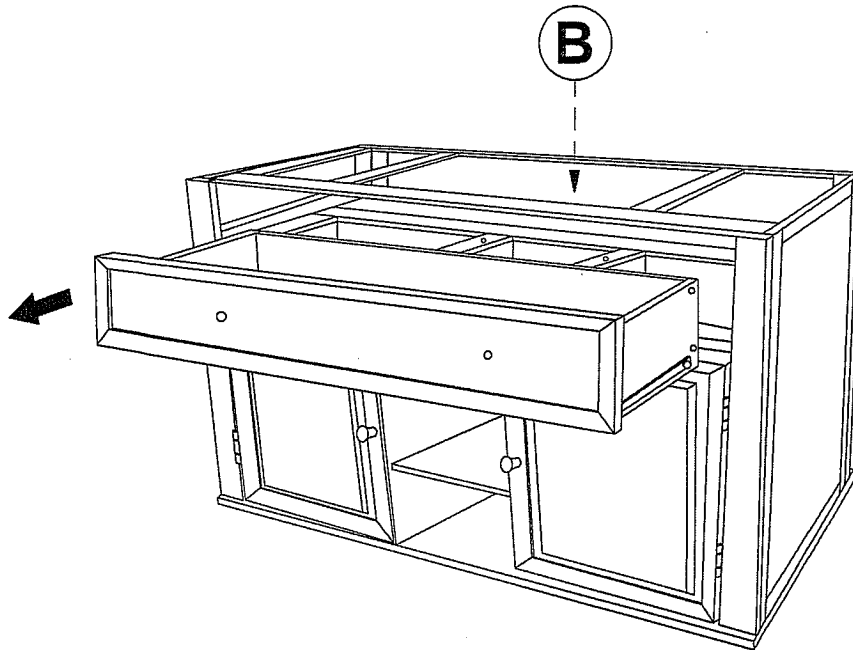
ASSEMBLY INSTRUCTIONS

KITCHEN ISLAND

24"W x 60-1/2"L x 35"H

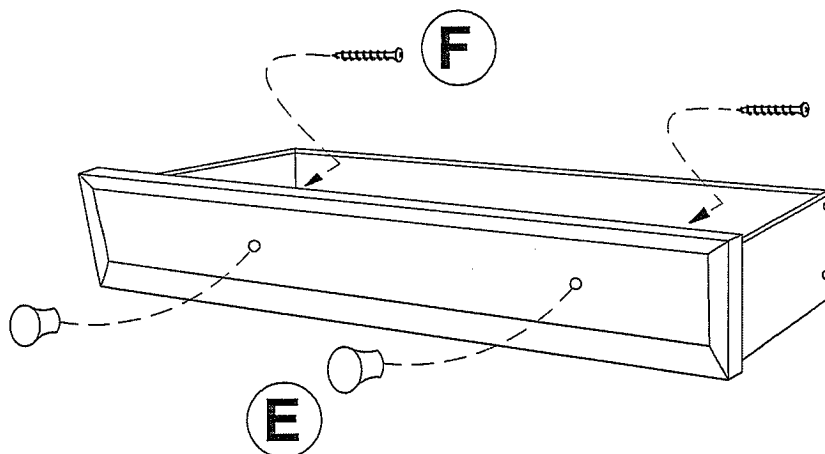
Model : CY-KI-TT-02

Thank you for purchasing this Quality product. It has been engineered for easy assembly yet constructed for durability. Please take the time to read and follow the instructions while assembling.



Step: 1

- OPEN CARTON SO THAT IT CAN BE USED AS WORK SURFACE OF ASSEMBLY.
- REMOVE ALL PARTS FROM CARTON.
- TAKE OFF DRAWER ON EACH DRAWER SLIDE.



Step: 2

- ATTACH WOODEN KNOB (E) TO FRONT DOORS BY USING SCREW (F) AND TIGHTENING WITH SCREW DRIVER. (NOT PROVIDED)



Sunset Trading®

a div of Sunset Furniture Intl.LLC

11 Delta Dr
Londonderry NH 03053
877-364-8464

Pls Check to make sure you will have all parts otherwise contact local retailer or Sunset Trading customer service at 877-364-8464

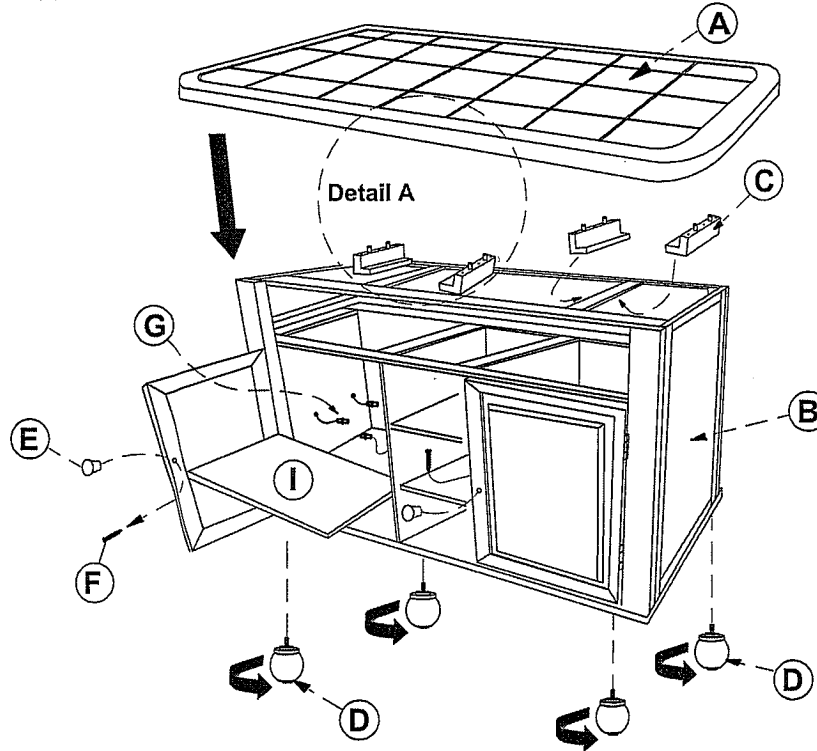
ASSEMBLY INSTRUCTIONS

KITCHEN ISLAND

24"W x 60-1/2"L x 35"H

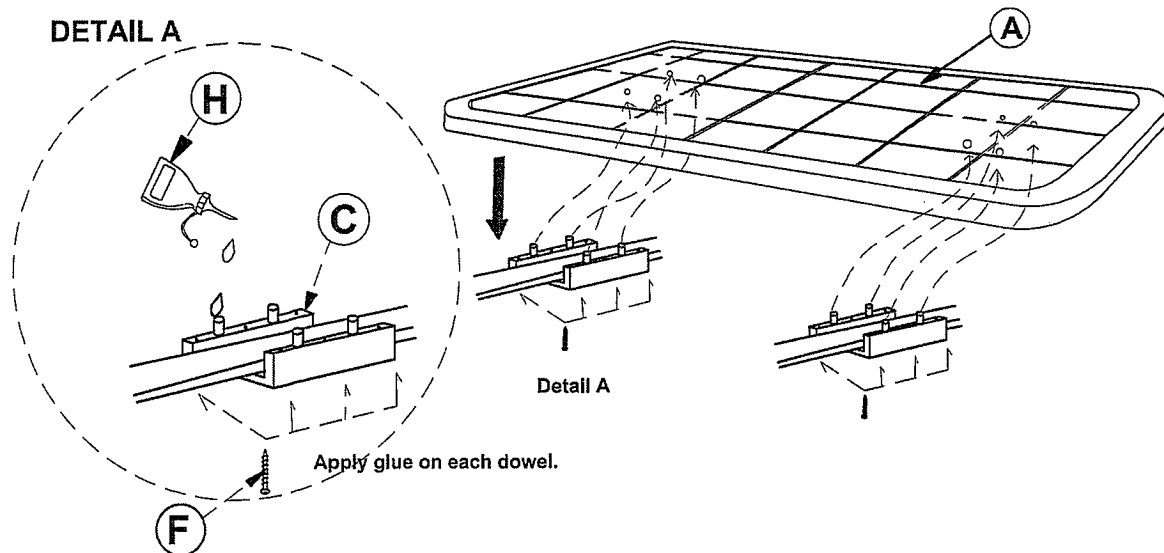
Model : CY-KI-TT-02

Thank you for purchasing this Quality product. It has been engineered for easy assembly yet constructed for durability. Please take the time to read and follow the instructions while assembling.



Step: 3

- INSERT ADJUSTABLE (G) INTO UNIT AND PUT THE SHELF (I) TO INSIDE.
- ATTACH LEG (D) TO UNIT BY SCREWING ONE LEG INTO EACH CORNER OF BOTTOM PANEL, UNTIL TIGHT .



Step: 4

- ALIGN TOP (A) TO THE CENTER OF UNIT AND ATTACH WOODEN SLIDE (C) BY SCREWING SCREW (F) UNTIL TIGHT.



Sunset Trading®

a div of Sunset Furniture Intl.LLC

11 Delta Dr
Londonderry NH 03053
877-364-8464

Pls Check to make sure you will have all parts otherwise contact local retailer or Sunset Trading customer service at 877-364-8464

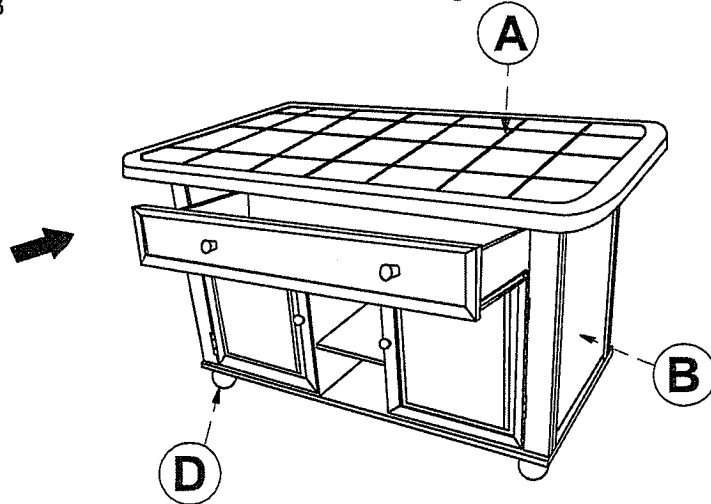
ASSEMBLY INSTRUCTIONS

KITCHEN ISLAND

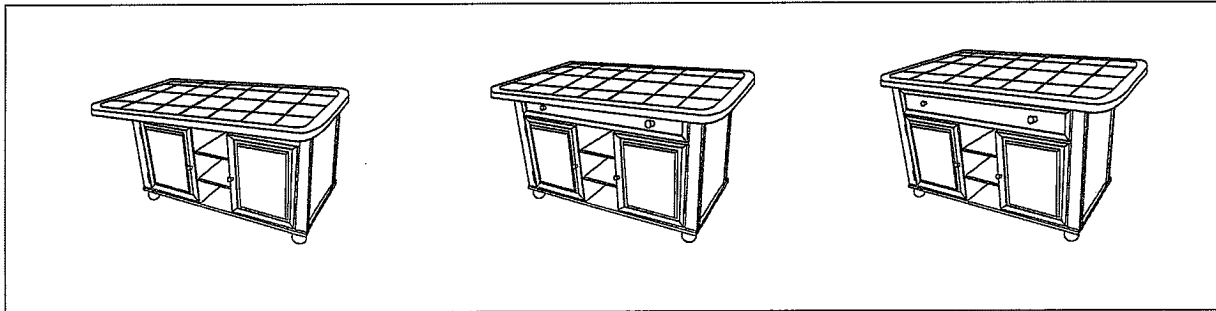
24"W x 60-1/2"L x 35"H

Model : CY-KI-TT-02

Thank you for purchasing this Quality product. It has been engineered for easy assembly yet constructed for durability. Please take the time to read and follow the instructions while assembling.



Step: 5 - REINSTALL DRAWER INTO UNIT

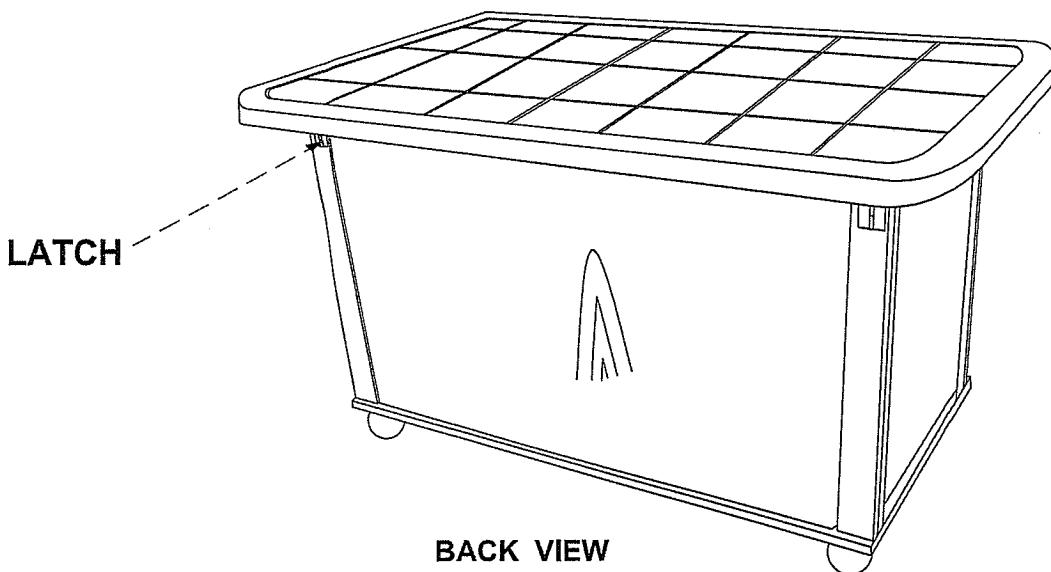


FRONT

MIDDLE

BACK

3 POSITION FIXED TOP AS SHOWN BY USING LATCH ON EACH BACK SIDE





Sunset Trading®

a div of Sunset Furniture Intl.LLC

11 Delta Dr
Londonderry NH 03053
877-364-8464

Pls Check to make sure you will have all parts otherwise contact local retailer or Sunset Trading customer service at 877-364-8464

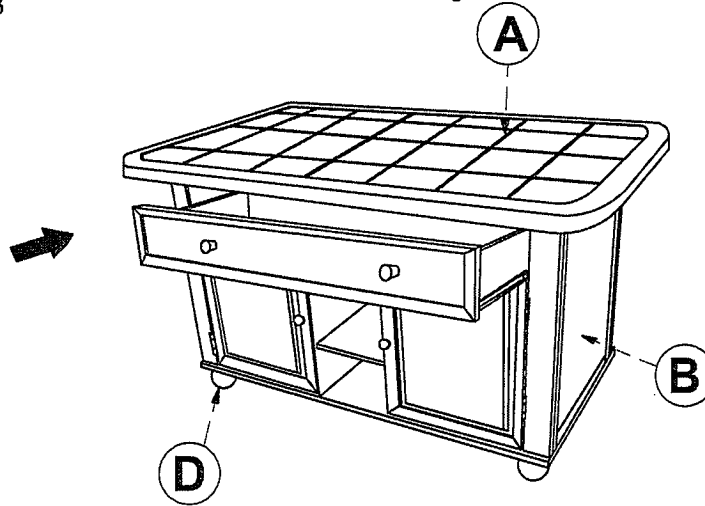
ASSEMBLY INSTRUCTIONS

KITCHEN ISLAND

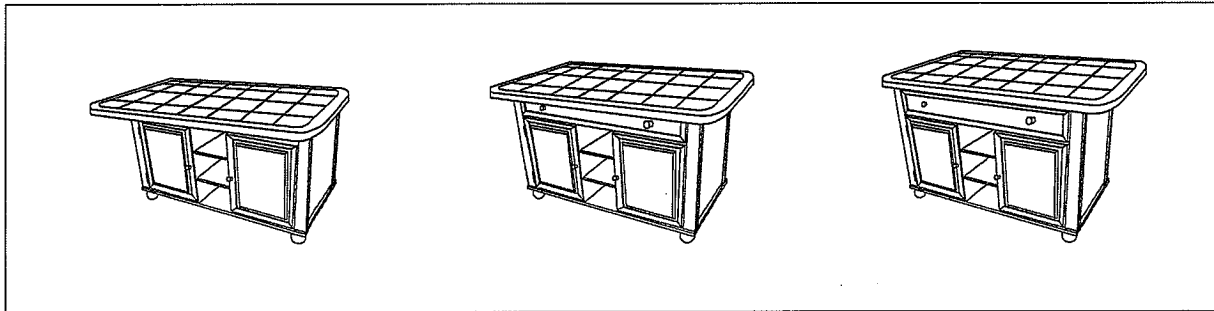
24"W x 60-1/2"L x 35"H

Thank you for purchasing this Quality product. It has been engineered for easy assembly yet constructed for durability. Please take the time to read and follow the instructions while assembling.

Model : CY-KI-TT-02



Step: 5 - REINSTALL DRAWER INTO UNIT

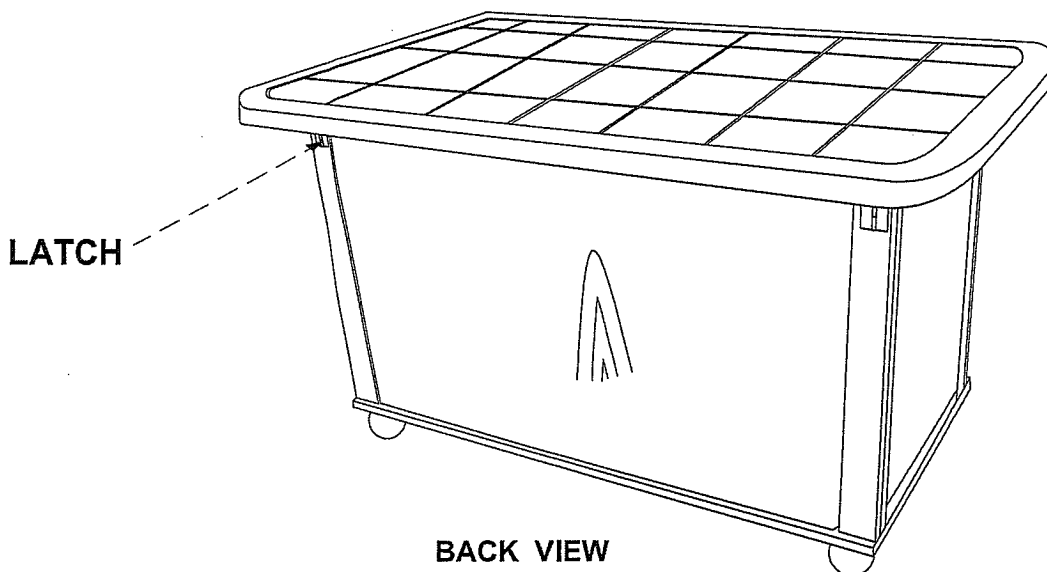


FRONT









MIDDLE

BACK

3 POSITION FIXED TOP AS SHOWN BY USING LATCH ON EACH BACK SIDE



BACK VIEW

Parts		QTY
Top Seat Unit (Pre-Assembled)		1
Base (Pre-Assembled)		1
Swivel Plate		1
Seat Machine Bolts		4
Lock Washers		4
Flat Washers		8
#10 Philips Screws		4
4mm Allen Wrench		1

BEFORE YOU BEGIN

- Check to be sure that you have all parts and hardware
- Place all wooden pieces on a clean and smooth surface like a carpet to avoid parts being scratched
- Do not tighten all screws/ bolts until completely assembled
- *Swivel plate top & bottom are pre-turned 90-degrees prior to installation. To troubleshoot swivel turning issues, please place swivel plate on your floor, use packaging carton to protect the surface, step on swivel TOP to twist using your body weight
- If missing parts or have questions, please email info@sunsettrading.com or call Sunset Trading 877-364-8464, M-F 8am-4pm EST.

(Fig 1)



Step 1. Place swivel on base with 'TOP FRONT' markings on swivel facing upward. Attach swivel to base using four (4) #10 Philips screws and four (4) flat washers. Tighten with a #10 Philips screwdriver (Not Provided). **(Fig 1)**

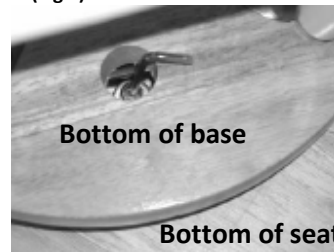
(Fig 2)



Step 2. Place seat upside down on table or bench (lay a towel down to protect from scratches) or on the edge of mattress. Flip base upside down and place on top of Seat Unit bottom. Line up the four (4) slots in the swivel top with the four (4) nut inserts that are mounted in the seat. **(Fig 2)**

***IMPORTANT:** Make note of marking on top of swivel that reads 'TOP FRONT'. This side of the swivel must be mounted toward the front of the barstool seat in order to provide proper angle for sitting.

(Fig 3)



Step 3. Put one (1) Lock Washer and one (1) Flat Washer on each Seat Machine Bolt. Attach the swivel to the seat bottom through the access hole in the bottom of the base Unit with all four (4) bolts. **(Fig 3)**



Step 4. Screw all 4 bolts in half way with Allen wrench provided. Turning base unit as needed to access the nuts that are inserted on the barstool seat. Tighten all bolts fully when done. Assembly is complete!