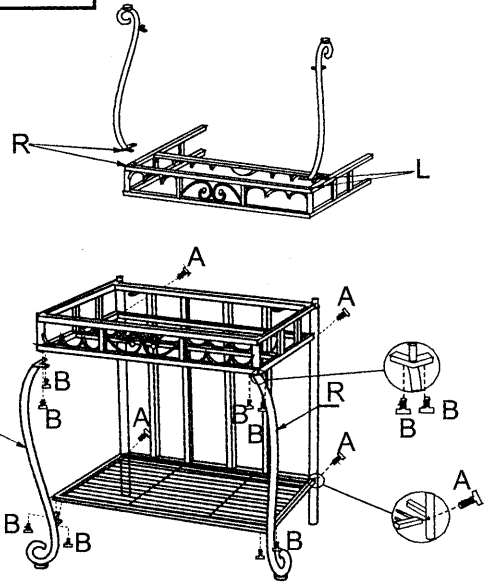
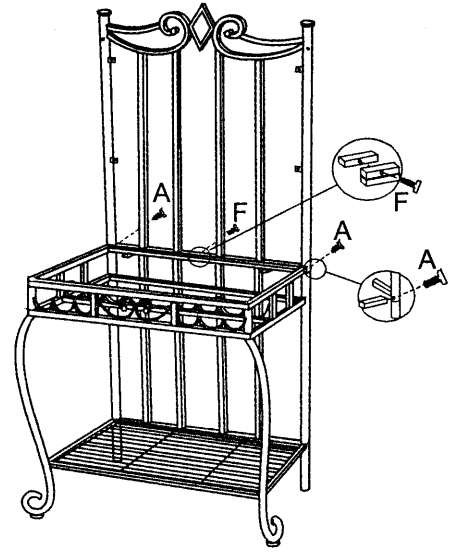


ASSEMBLY INSTRUCTION

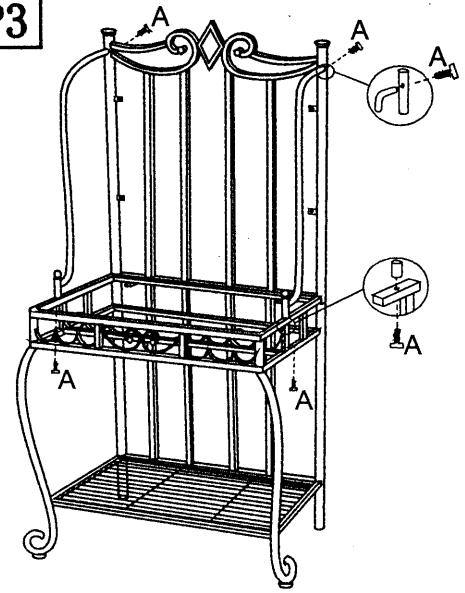
STEP1



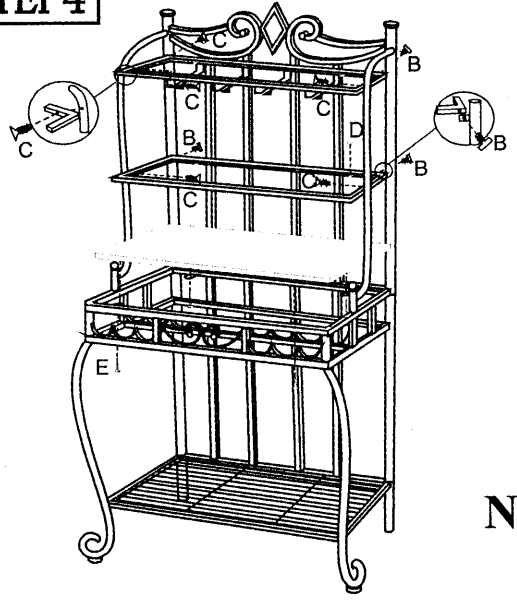
STEP2





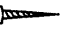
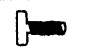



STEP3

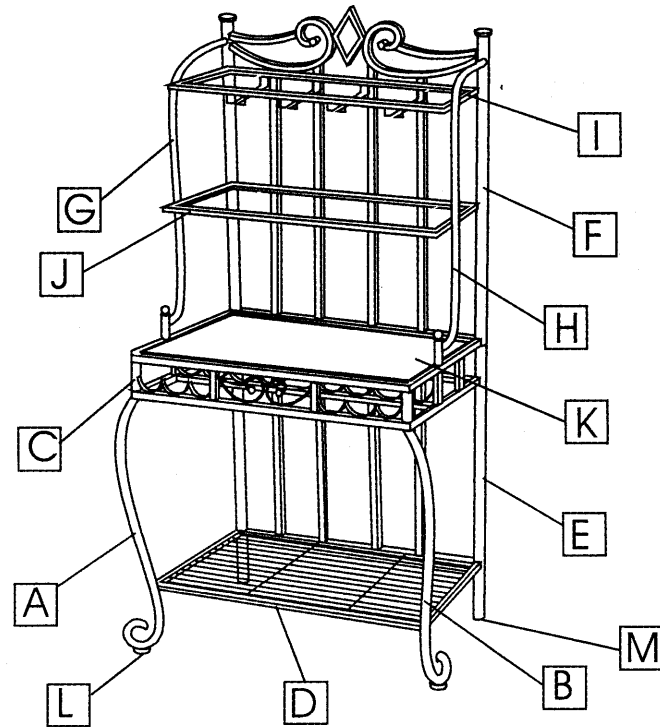


STEP4



A	Bolts		10pcs	1/4" * 40mm
B	Bolts		12pcs	1/4" * 15mm
C	Bolts		4pcs	1/4" * 25mm
D	Glass pad		8pcs	
E	Wood screw		4pcs	
F	Bolts		1pc	1/4" * 30mm
G	Allen wrench		1pc	

Note: Pls do not tighten all bolts until the rack is assembled completely.



	Part Description	Quantity		Part Description	Quantity
A	Left front Leg	1	H	Side frame(right)	1
B	Right front Leg	1	I	Upper frame 1	1
C	Middle frame	1	J	Upper frame 2	1
D	Bottom frame	1	K	Wood top	1
E	Base back	1	L	Glide(φ24*1/4*10)	2
F	Upper back	1	M	Glide(φ25.4)	2
G	Side frame(left)	1			