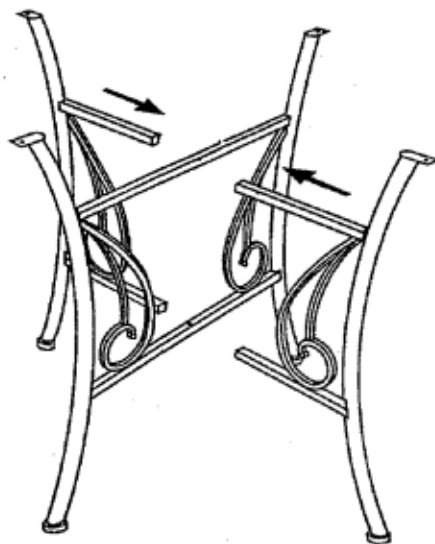
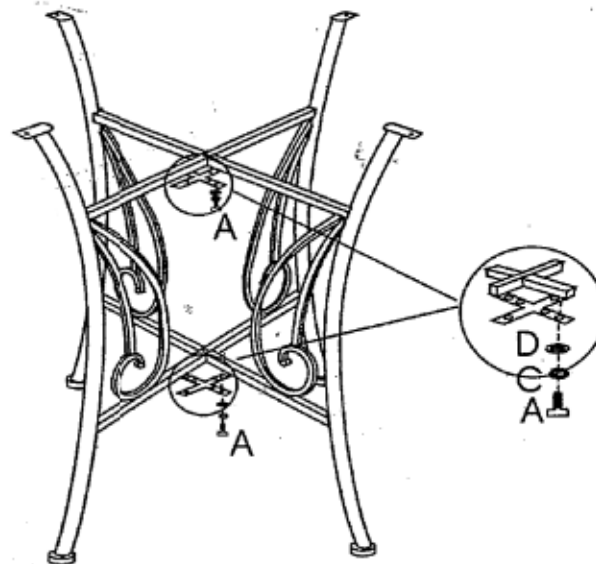


# ASSEMBLY INSTRUCTION

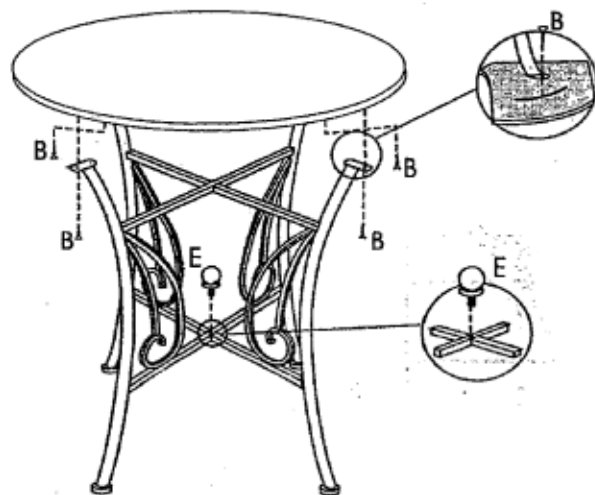
**STEP1**









**STEP2**

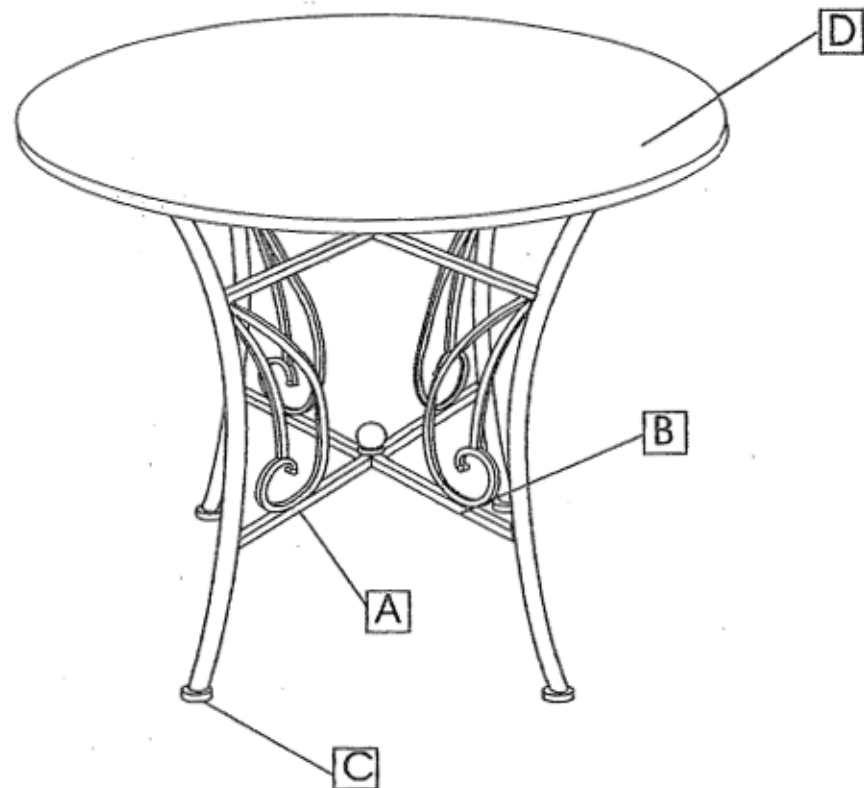


**STEP3**



|   |               |   |       |           |
|---|---------------|---|-------|-----------|
| A | Bolts         |    | 12pcs | 1/4"*15mm |
| B | Screw         |  | 4pcs  | M5*16mm   |
| C | Spring washer |  | 12pcs | Φ6.5*Φ12  |
| D | Flat washer   |  | 12pcs | Φ6.5      |
| E | Ornament ball |  | 1pc   |           |
| F | Allen wrench  |  | 1pc   |           |

**NOTE: PLEASE DO NOT FULLY TIGHTEN BOLTS UNTIL ASSEMBLY IS COMPLETE**



|   | Part Description              | Quantity |
|---|-------------------------------|----------|
| A | Big Leg                       | 1        |
| B | Small Leg                     | 2        |
| C | Glide( $\phi 45 * 1/4 * 10$ ) | 4        |
| D | Wood Top                      | 1        |