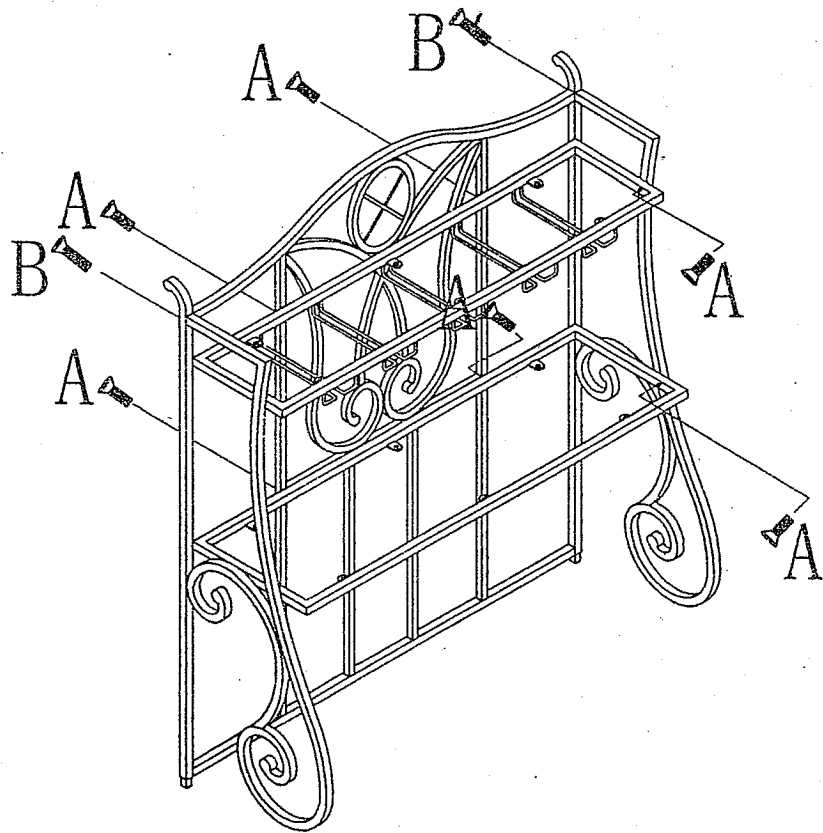
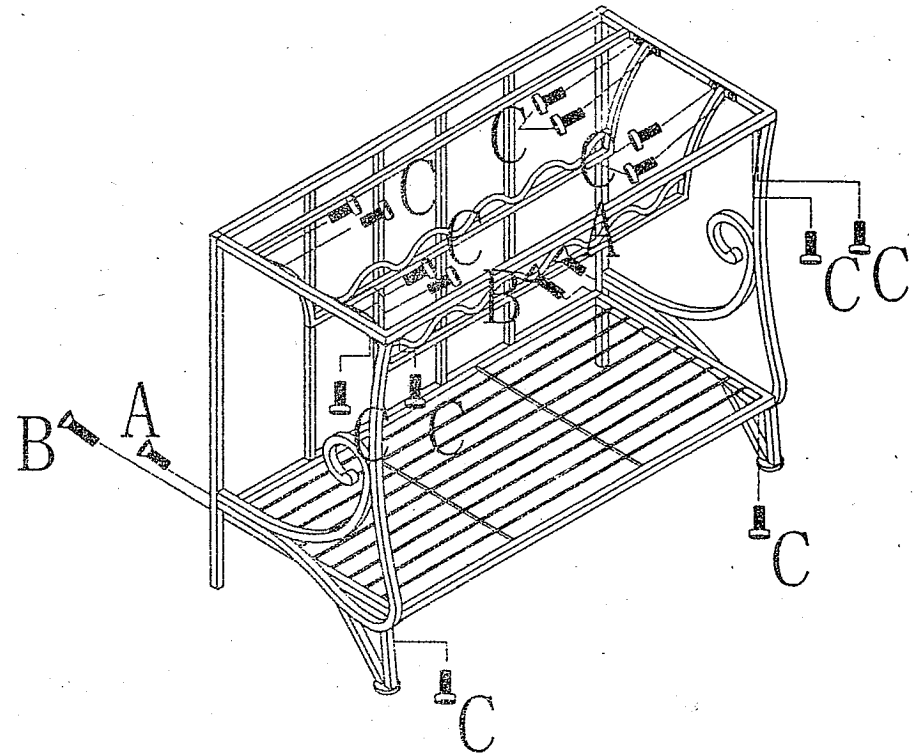


ASSEMBLY INSTRUCTION




STEP1



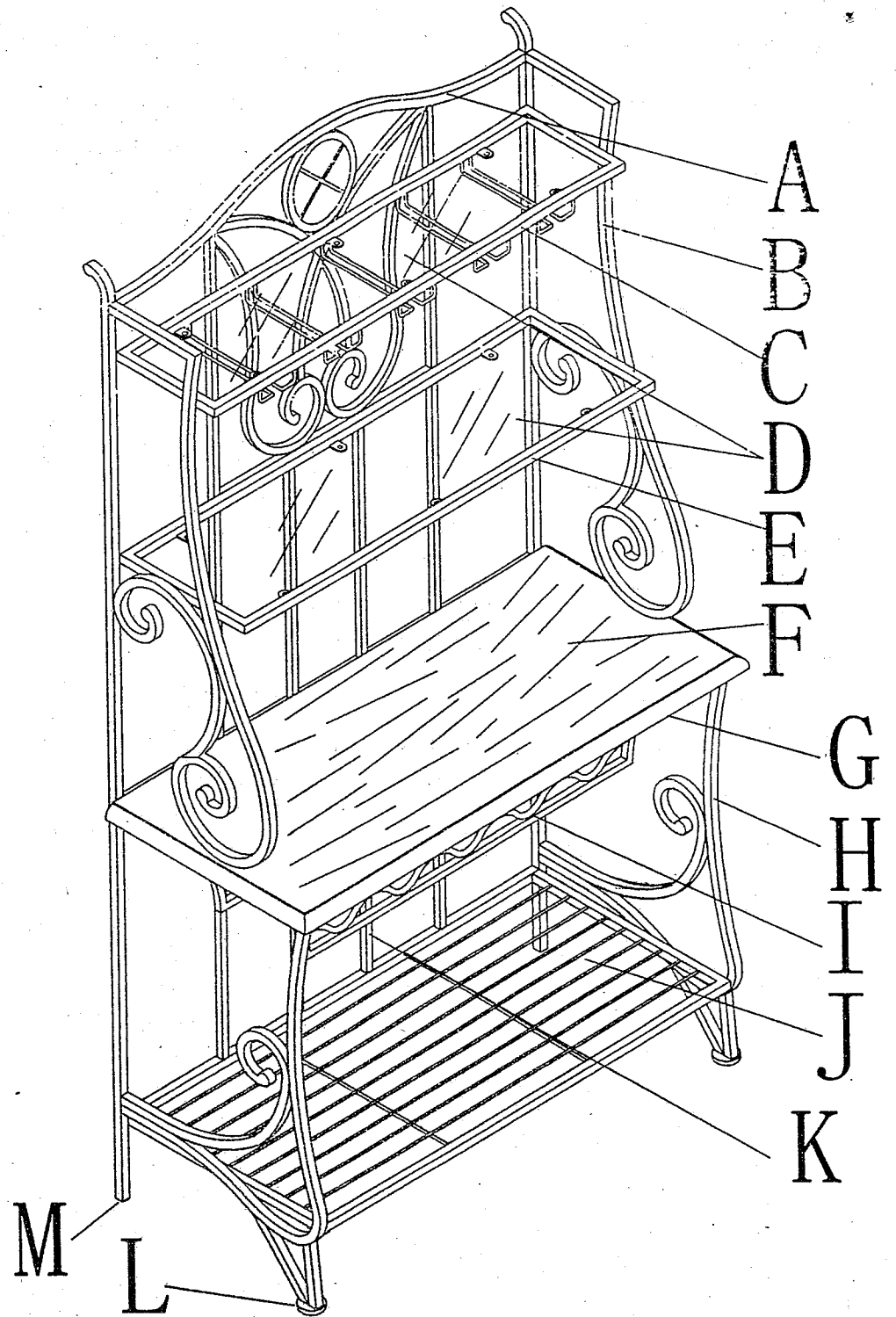
STEP2



Note: Pls do not tighten all bolts until the baker's rack is assembled completely.

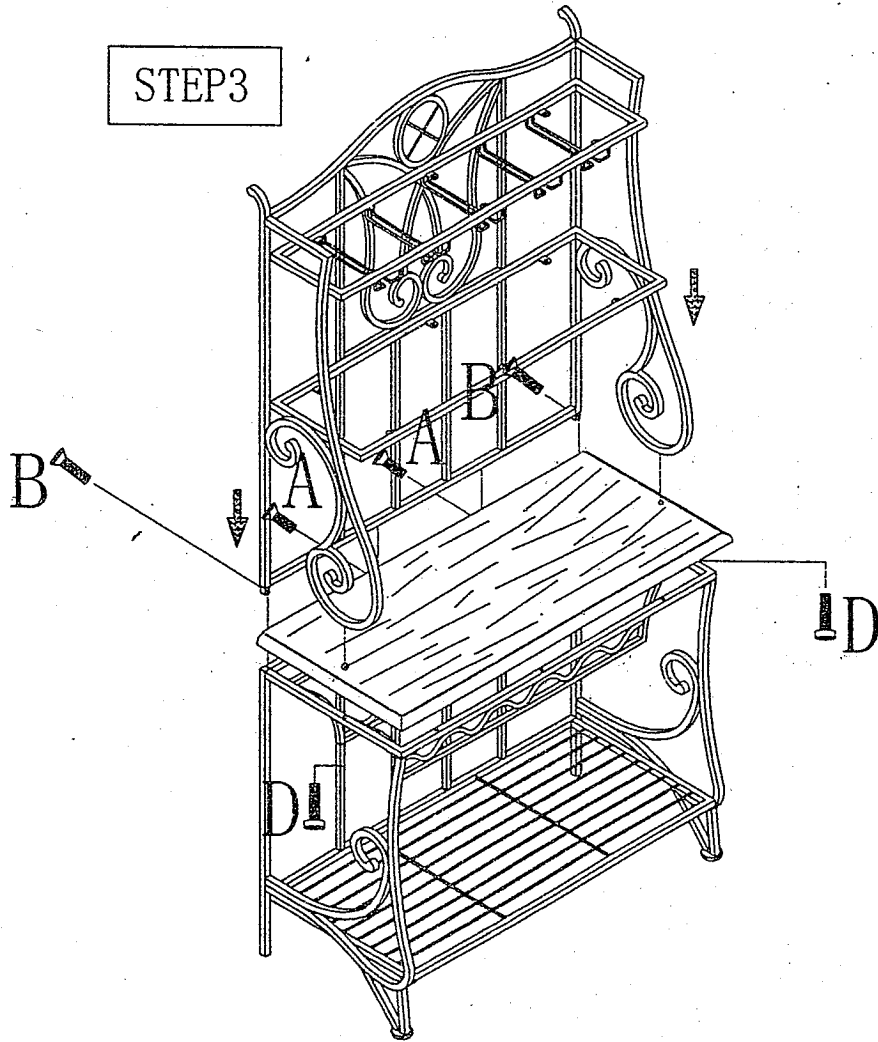
A		10pcs	1/4"×25mm Flat Head Bolt
B		4pcs	1/4"×35mm Flat. Head Bolt
C		14pcs	1/4"×12mm Pan Head Bolt

	Parts Description	Quantity
A	TOP BACK	1
B	TOP SIDE	2
C	WINE CUP HANGER	1
D	GLASS	2
E	GLASS FRAME	1
F	MIDDLE PANEL	1
G	MIDDLE FRAME	1
H	LEG SIDE	2
I	WINE BOTTLE HANGER	2
J	METAL SHELF	1
K	BASE BACK	1
L	ADJUSTABLE GLIDE (1/4*ø24*10mm)	2
M	PLASTIC PLUG (16*16)	2

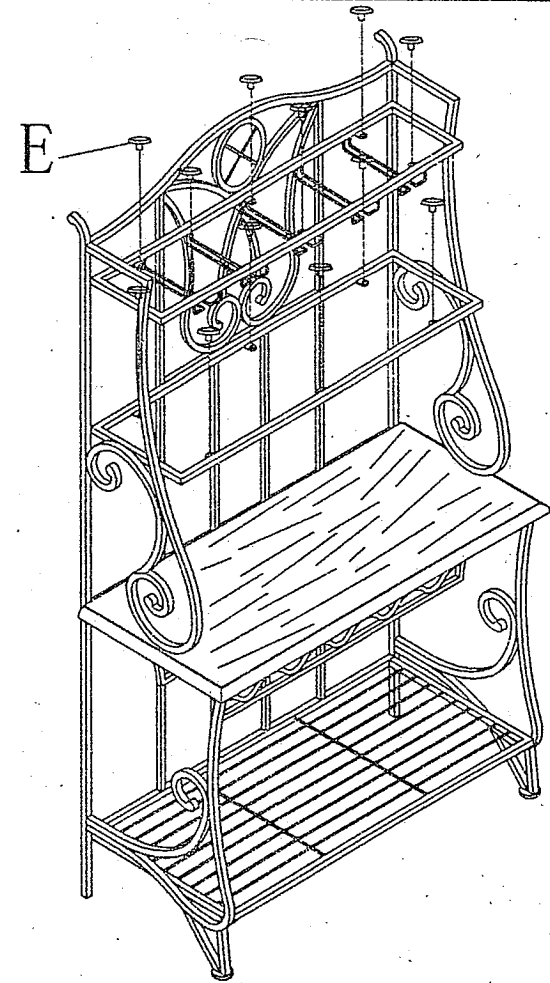


ASSEMBLY INSTRUCTION






STEP3



STEP4



Note: Pls do not tighten all bolts until the baker's rack is assembled completely.

A		2pcs	1/4" x 25mm Flat Head Bolt
B		2pcs	1/4" x 35mm Flat Head Bolt
D		2pcs	1/4" x 50mm Pan Head Bolt
E		12pcs	GLASS SHELF SUCTION
F		1pc	Allen Key

	Parts Description	Quantity
A	TOP BACK	1
B	TOP SIDE	2
C	WINE CUP HANGER	1
D	GLASS	2
E	GLASS FRAME	1
F	MIDDLE PANEL	1
G	MIDDLE FRAME	1
H	LEG SIDE	2
I	WINE BOTTLE HANGER	2
J	METAL SHELF	1
K	BASE BACK	1
L	ADJUSTABLE GLIDE (1/4*ø24*10mm)	2
M	PLASTIC PLUG (16*16)	2

