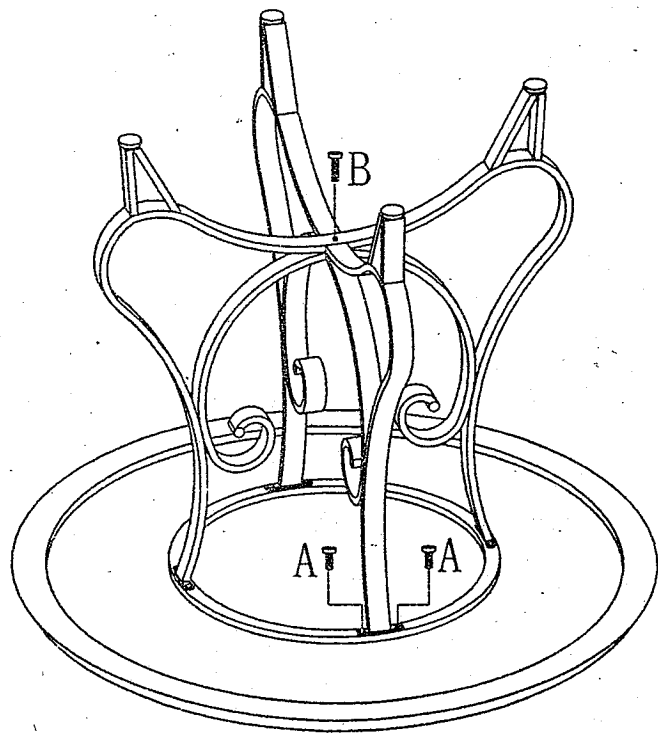
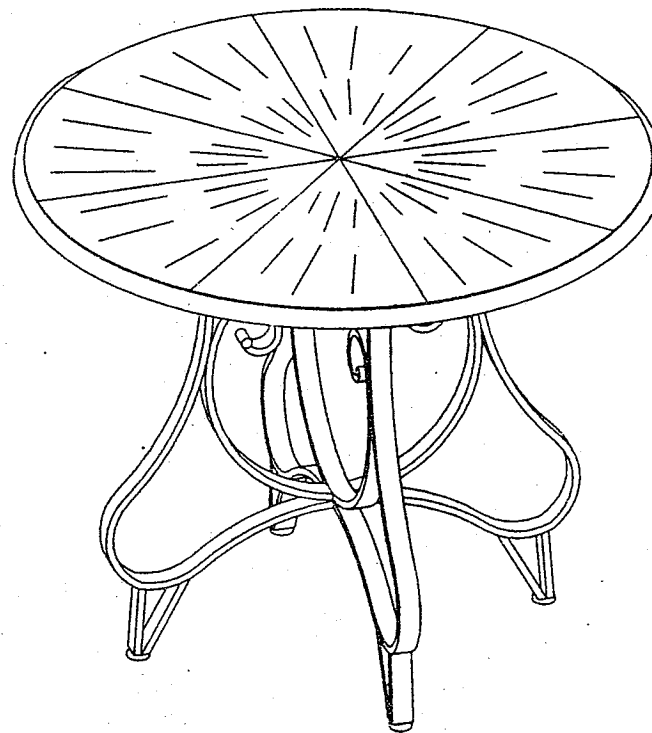


ASSEMBLY INSTRUCTION

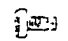

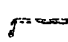
STEP1

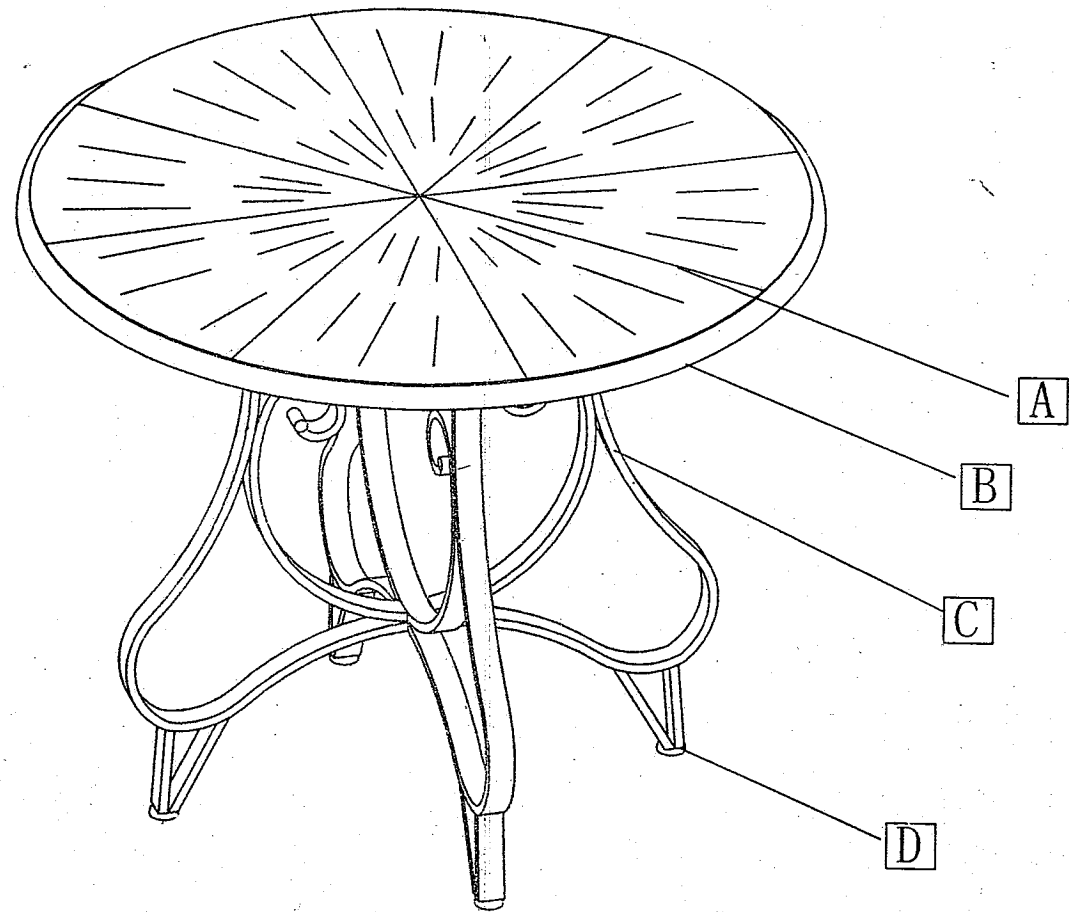


STEP2

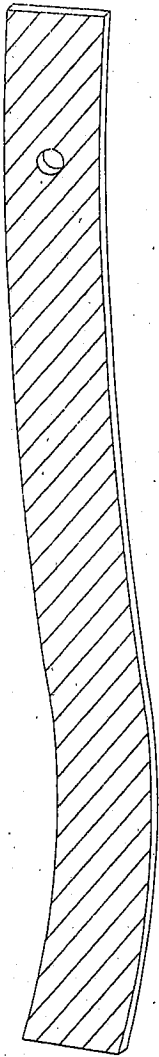


Note: Pls do not tighten all bolts until the table is assembled completely.

A		8pcs	1/4" x 12mm Pan Head Bolt
B		1pc	1/4" x 20mm Pan Head Bolt
C		1pc	Allen Key

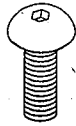


	Parts Description	Quantity
A	Top	1
B	Top Frame	1
C	Leg	2
D	Adjustable Glide (1/4" * Φ 24 * 10mm)	4



1PC

IMPORTANT. The screw supplied together with the anti-topple bracket is to be used only for fixing the anti-topple bracket to the furniture. In addition to this, you will need to choose a screw or fitting which is suitable for securing the bracket to the kind of walls you have. If you are unsure about what type of screw to use, please contact your local hardware store.



1PC

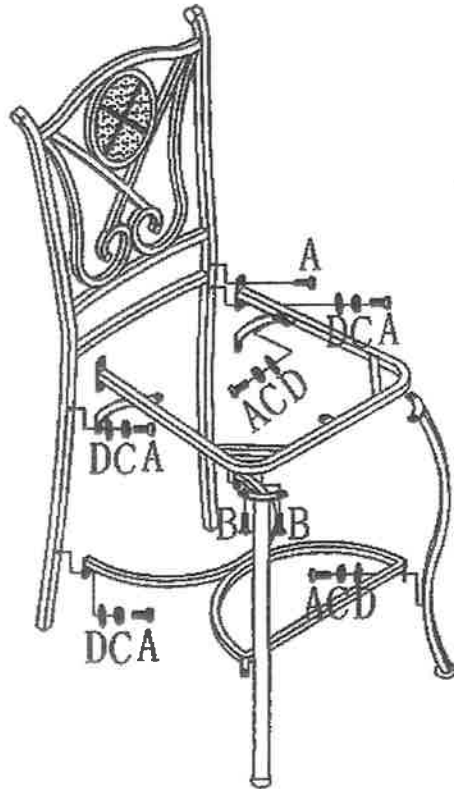


1PC

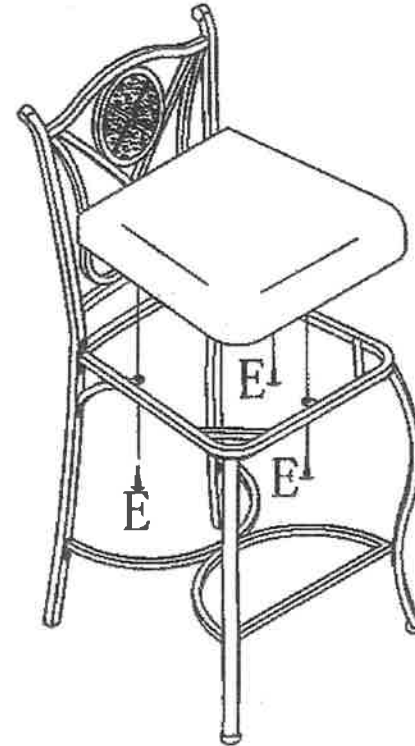
ASSEMBLY INSTRUCTION

CR-W2597-24-RTA

STEP1

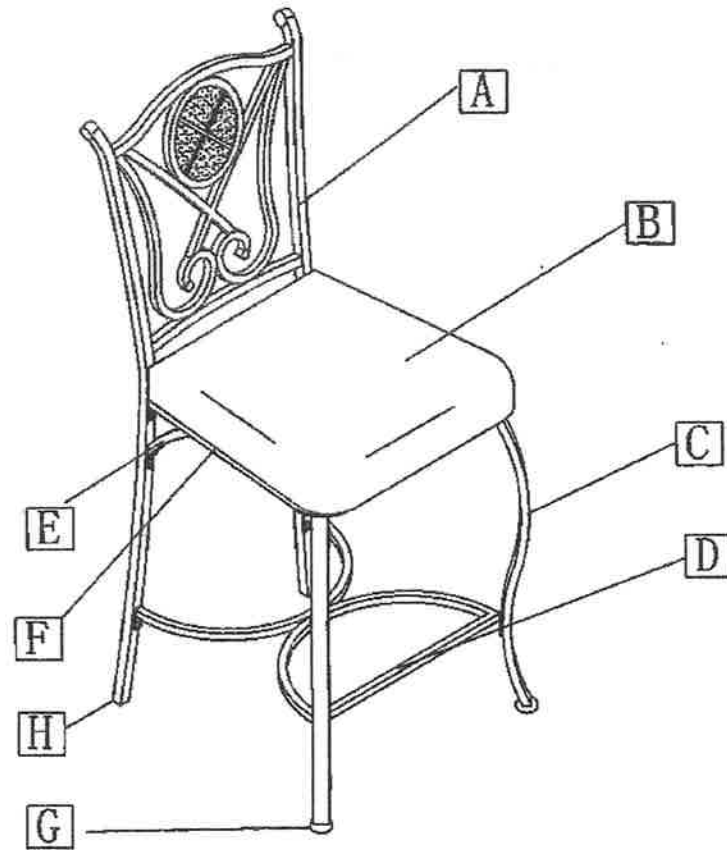


STEP2



Note: Pls do not tighten all bolts until the chair is assembled completely.

A		12pcs	1/4"×15mm Pan Head Bolt
B		4pcs	1/4"×15mm Flat Head Bolt
C		10pcs	φ 6.5 Lock Washer
D		10pcs	φ 13* δ 1.5 Flat Washer
E		3pcs	M5×19mm WOOD SCREW
F		1pc	Allen Key



	Parts Description	Quantity
A	Chair Back	1
B	Seat cushion	1
C	Leg	2
D	Stretcher	1
E	Connection Rod	2
F	Seat Frame	1
G	Round Plastic Plug($\varnothing 32*10\text{mm}$)	2
H	Plastic Plug($18*18\text{mm}$)	2