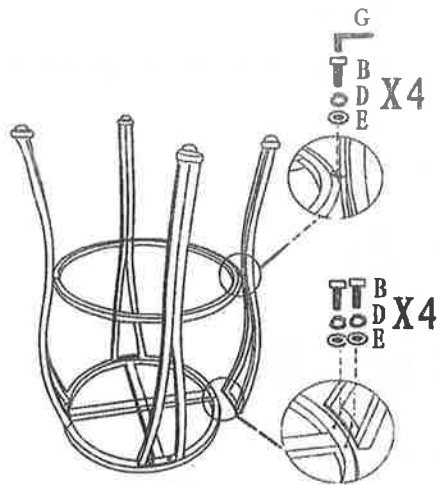


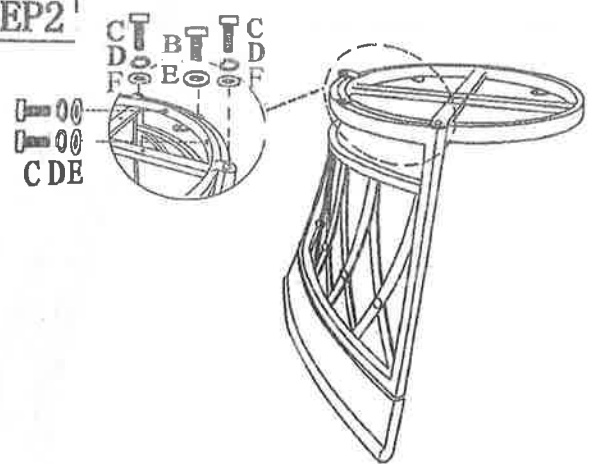
ASSEMBLY INSTRUCTION

ITEM#: J3009

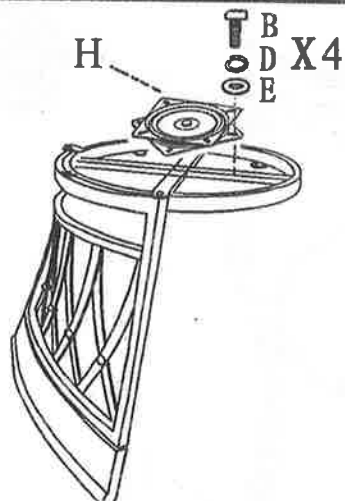
STEP 1



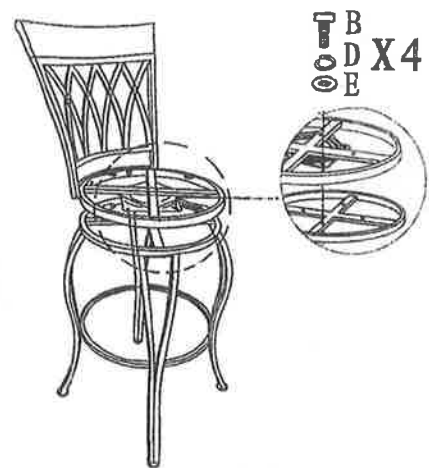
STEP 2



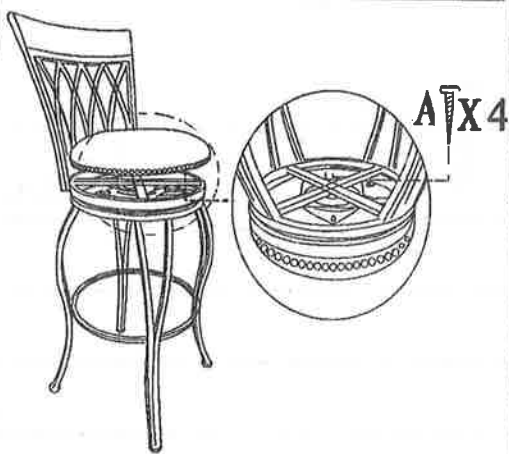
STEP 3



STEP 4

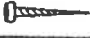









STEP 5

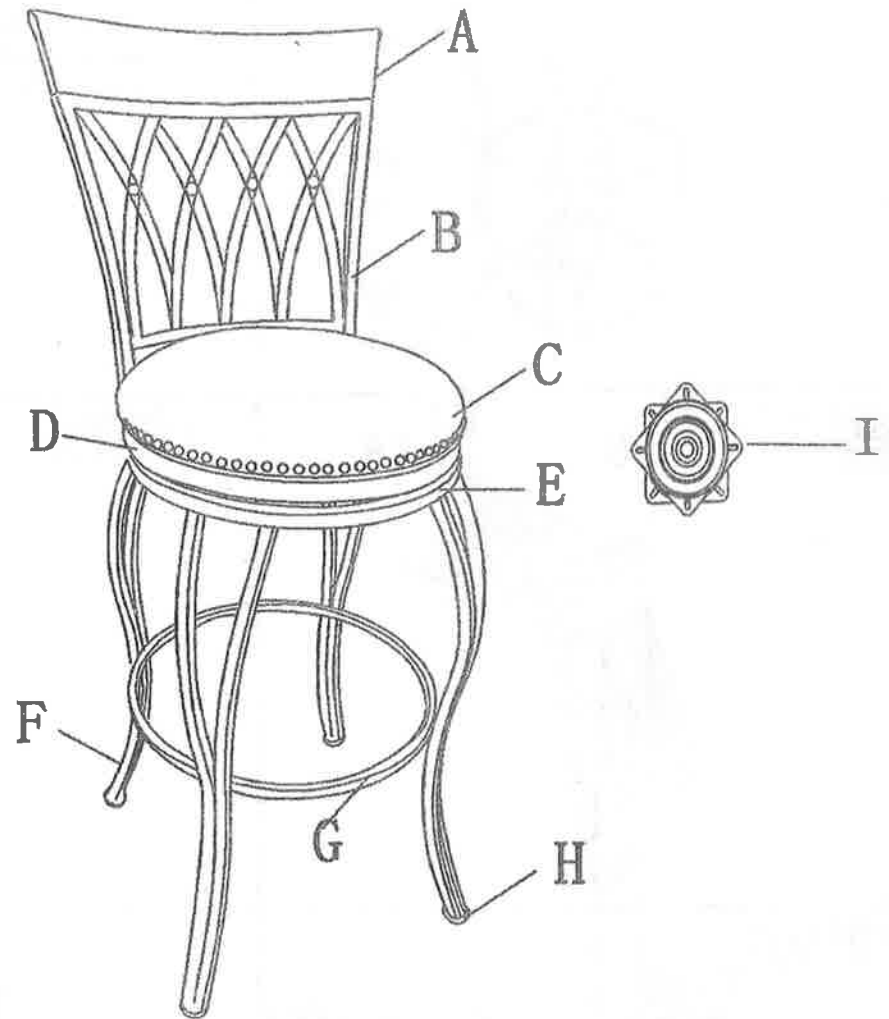


Note:

Please do not tighten all bolts until the chair is assembled completely.
Not for commercial use.

A		4PCS	M4*18mm
B		21PCS	1/4" * 15mm
C		4 PCS	1/4" * 20 mm
D		24PCS	Φ6.5 * 8 1.2
E		23 PCS	Φ6.5 * 8 1.2
F		2 PCS	Φ6.5 * 8 1.2
G		1PC	4#
H		1PC	6"

PARTS LIST



	Part Description	Quantity
A	Wood top	1
B	Chair back	1
C	Seat cushion	1
D	Seat frame	1
E	Top ring	1
F	Leg	4
G	Footrest ring	1
H	Leveler (Ø17*24*7*1/4)	4
I	Swivel plate (6")	1