

QUEEN/KING HEADBOARD BED

Balwin

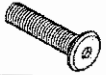
Page 1 of 2

Assembly Instructions

Made in Viet Nam

Components and Hardware List

Ø8 x 45mm
Allen Head Bolt



(H1) 10 pcs.

Ø9 x Ø13mm
Spring Washer



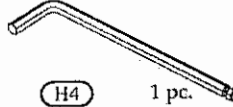
(H2) 10 pcs.

Ø8 x Ø20mm
Flat Washer

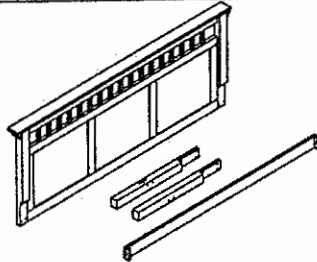


(H3) 10 pcs.

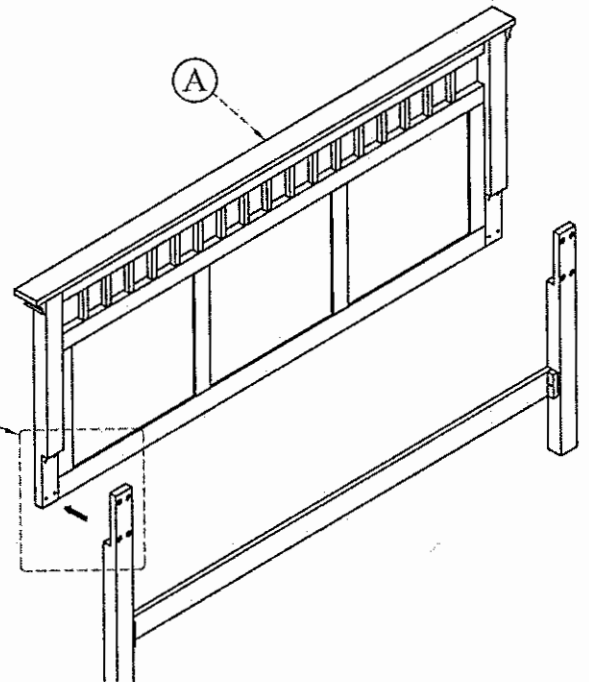
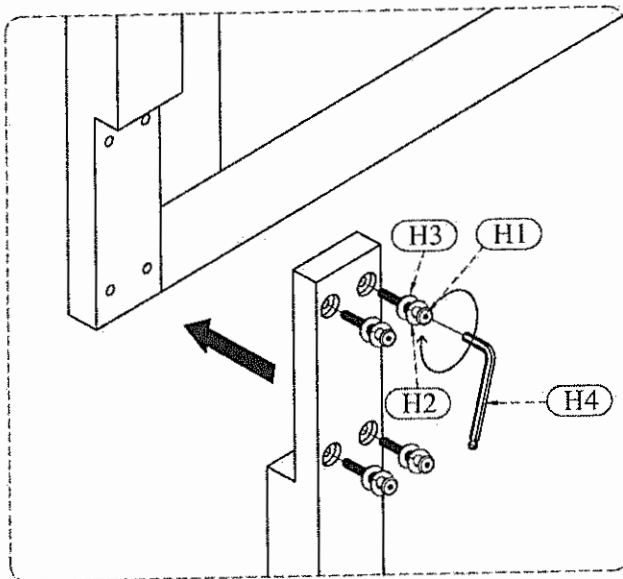
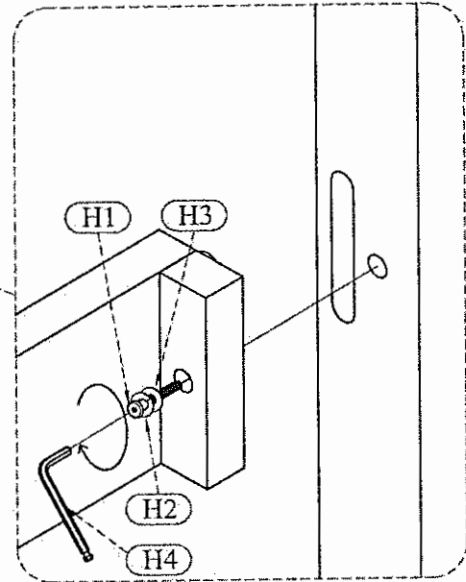
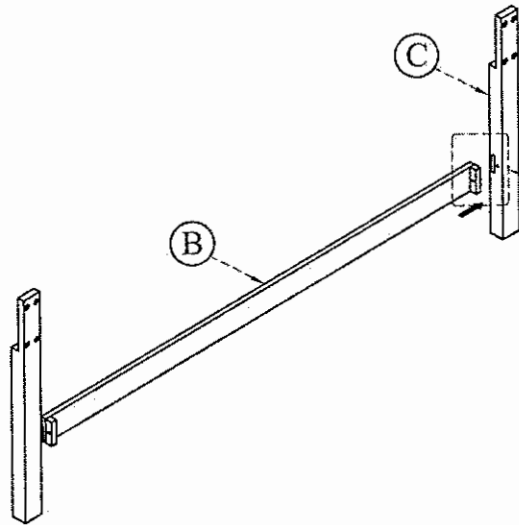
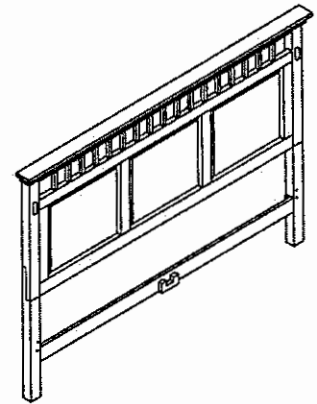
4 x 110mm
Wrench



(H4) 1 pc.



A. HEADBOARD 1PC
B. LOWER CROSSBAR 1PC
C. BED FEET 2PCS
D. HARDWARE BOX 2PCS



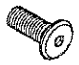





QUEEN/KING BED Assembly Instructions

Balwin

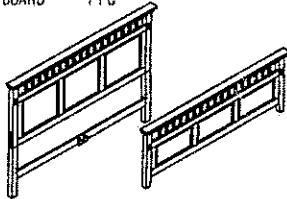
Page 2 of 2

Made in Viet Nam

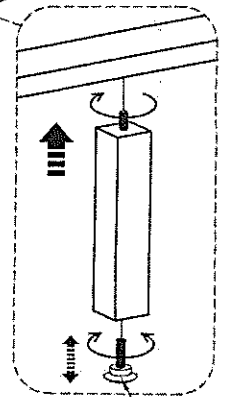
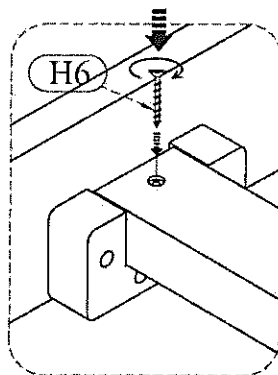
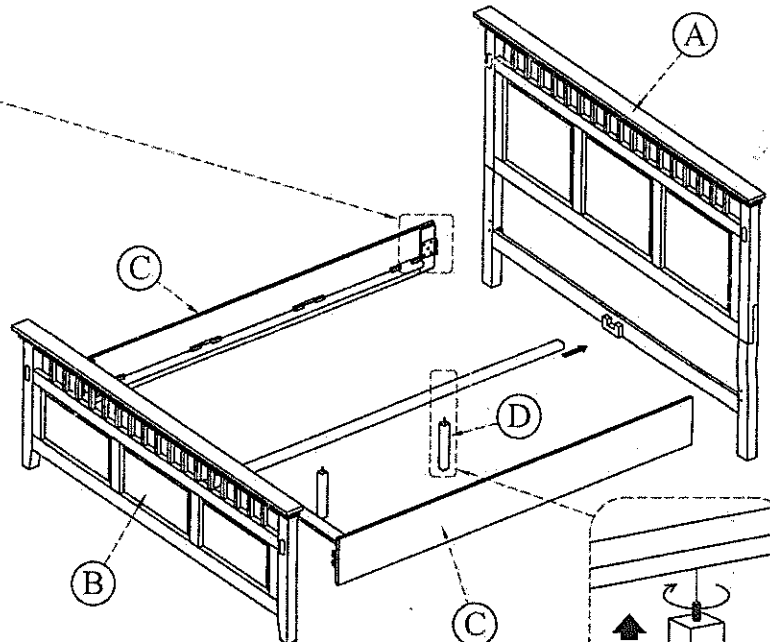
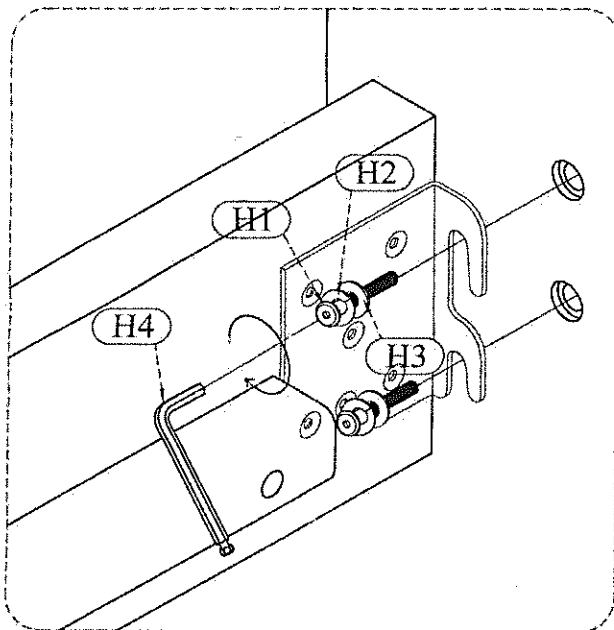
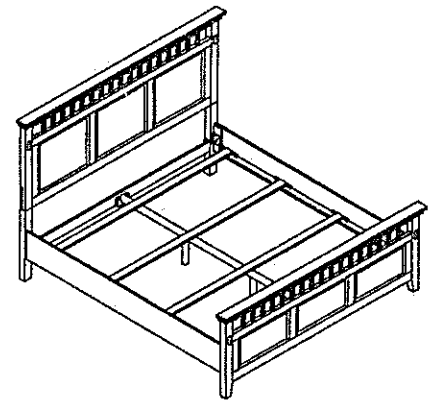
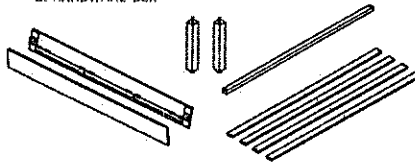
Components and Hardware List

<p>Ø8 x 20mm Allen Head Bolt</p>  <p>(H1) 8 pcs.</p>	<p>Ø9 x Ø13mm Spring Washer</p>  <p>(H2) 8 pcs.</p>	<p>Ø8 x Ø20mm Flat Washer</p>  <p>(H3) 8 pcs.</p>	<p>4 x 110mm Wrench</p>  <p>(H4) 1 pc.</p>	<p>Ø4 x 30mm Wood Screw</p>  <p>(H5) 12 pcs.</p>	<p>Ø4 x 35mm Wood Screw</p>  <p>(H6) 2 pcs.</p>
---	--	--	---	---	---

BOX #1
A. HEADBOARD 1 PC
B. FOOTBOARD 1 PC



BOX #2
C. SIDERAILS 2 PCS
D. LEGS SUPPORTS 2 PCS
E. CENTER SUPPORT 1 PC
F. BED SLATS 4 PCS
G. HARDWARE BOX



leveling

