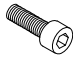





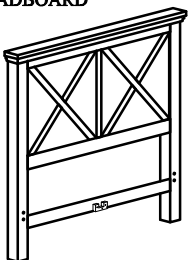
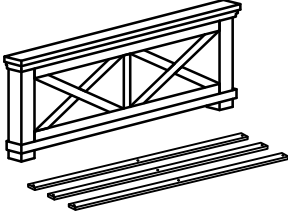
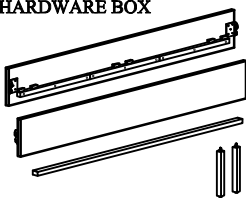
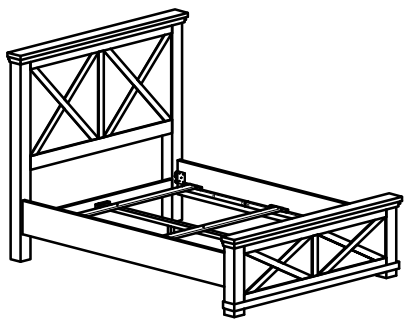


CROSSING LAKES QUEEN/KING BED

Assembly Instructions

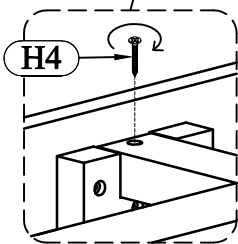
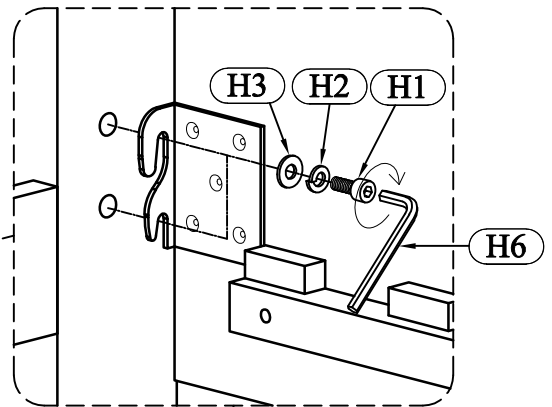
Made in Viet Nam

Components and Hardware List

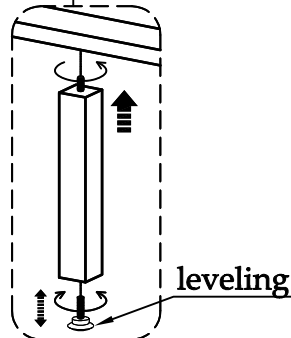
Allen Bolt Ø8 x 20mm  (H1) 8pcs	Lock Washer Ø9xØ13mm  (H2) 8pcs	Flat Washer Ø8 x Ø20mm  (H3) 8pcs	Wood Screw Ø4xØ35mm  (H4) 2pcs	Wood Screw Ø4xØ30mm  (H5) 9pcs	Allen Key 6 x 80mm  (H6) 1pc
BOX #1 A. HEADBOARD : 1PC 	BOX #2 B. FOOTBOARD : 1PC C. BED SLATS : 3PCS 	BOX #3 D. SIDERAILS : 2PCS E. CENTER SUPPORT : 1PC F. LEGS SUPPORT : 2PCS G. HARDWARE BOX 			

Be sure to check all packing material carefully for small parts, which may have come loose inside the carton during shipment.

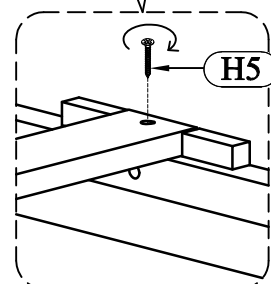
*STEP 1:



*STEP 2:



*STEP 3:

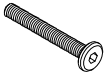


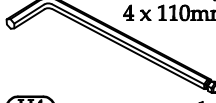


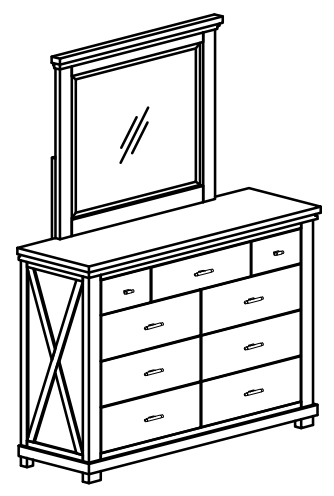
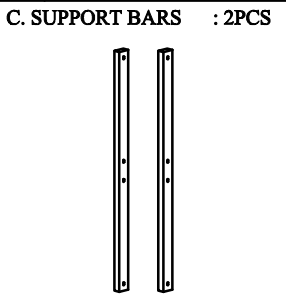
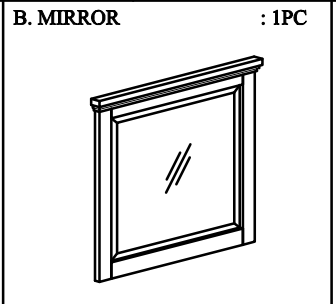
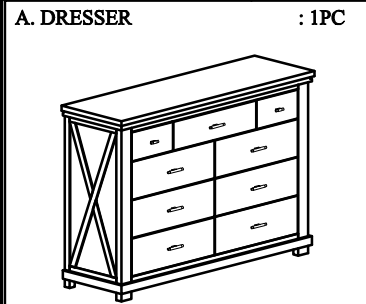
CROSSING LAKES MIRROR

Assembly Instructions

Made in Viet Nam

Components and Hardware List

Allen Head Bolt Ø6 x 45mm  (H1) 8pcs	Lock Washer Ø9 x Ø13mm  (H2) 8pcs	Flat Washer Ø8 x Ø20mm  (H3) 8pcs	Allen Key 4 x 110mm  (H4) 1pc
---	--	--	---



Be sure to check all packing material carefully for small parts, which may have come loose inside the carton during shipment.

