

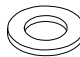
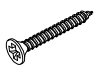

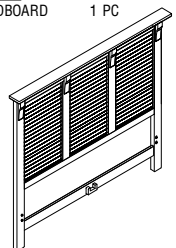
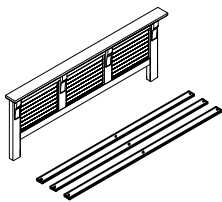
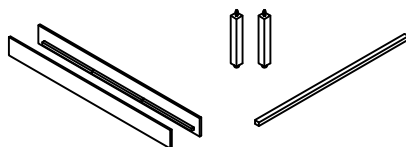
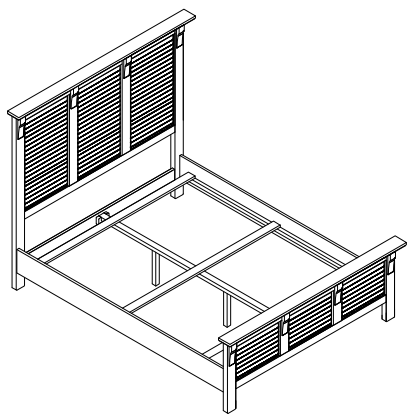
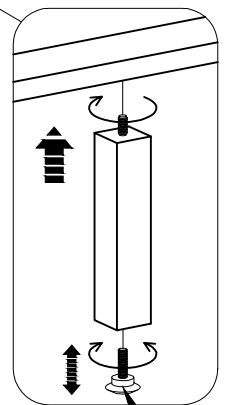
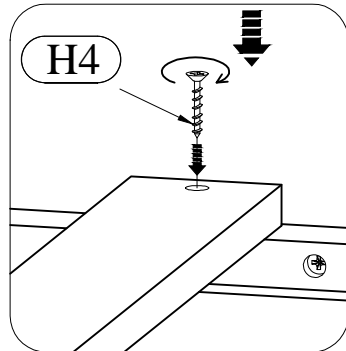
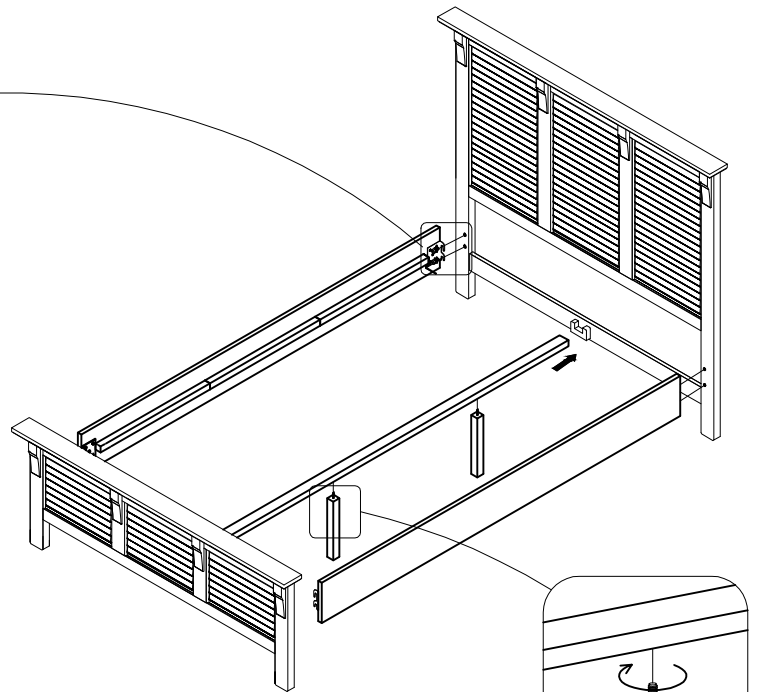
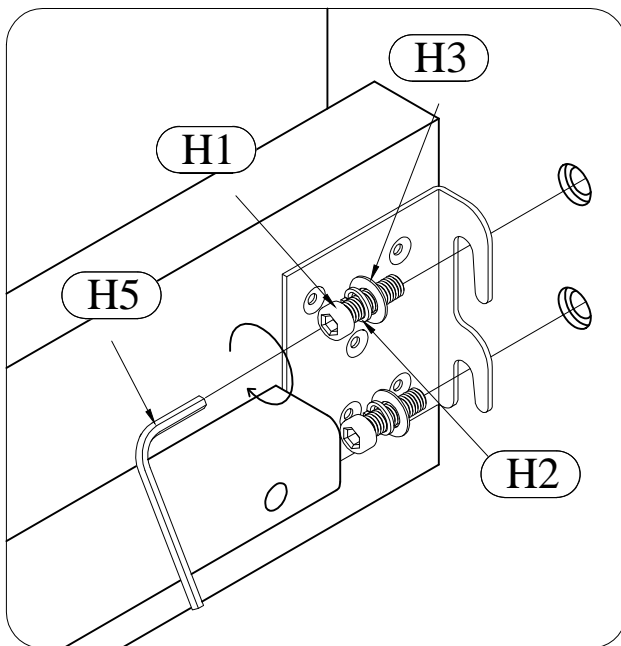


Assembly Instructions

Made in Viet Nam

Components and Hardware List

Ø8 x 20mm Allen Head Bolt  H1 8 pcs.	Ø8 x Ø12mm Spring Washer  H2 8 pcs.	Ø8 x Ø20mm Flat Washer  H3 8 pcs.	Ø4 x 25mm Wood Screw  H4 9 pcs.	6 x 80mm Wrench  H5 1 pc.
BOX #1 A. HEADBOARD 1 PC 	BOX #2 B. FOOTBOARD 1 PC C. BED SLATS 3 PCS 	BOX #3 D. SIDERAILS 2 PCS E. CENTER SUPPORT 1 PC F. LEG SUPPORTS 2 PCS G. HARDWARE BOX 		



leveling

