

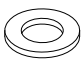


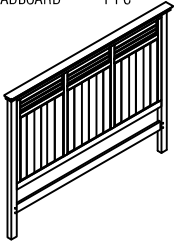
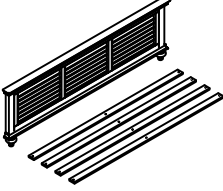
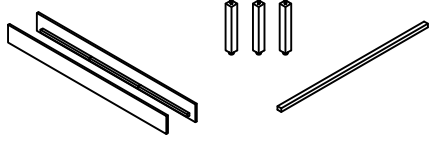
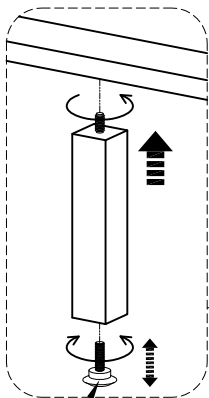
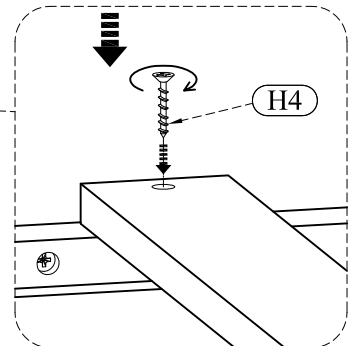
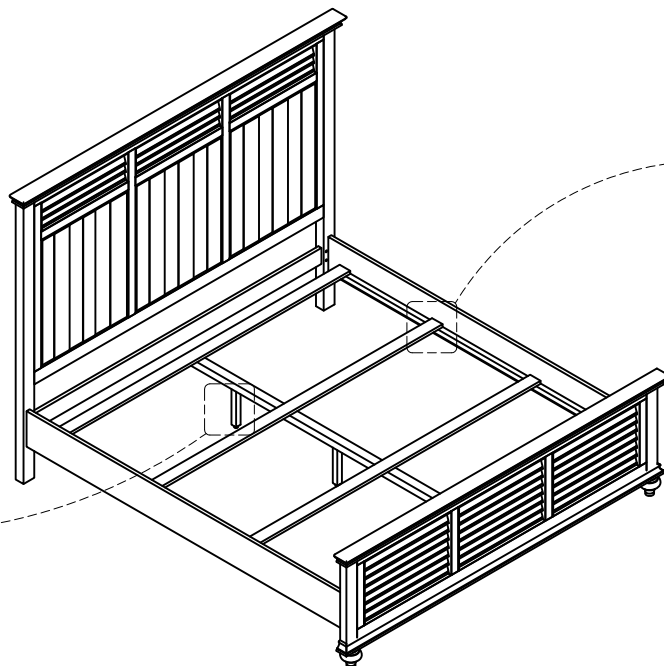
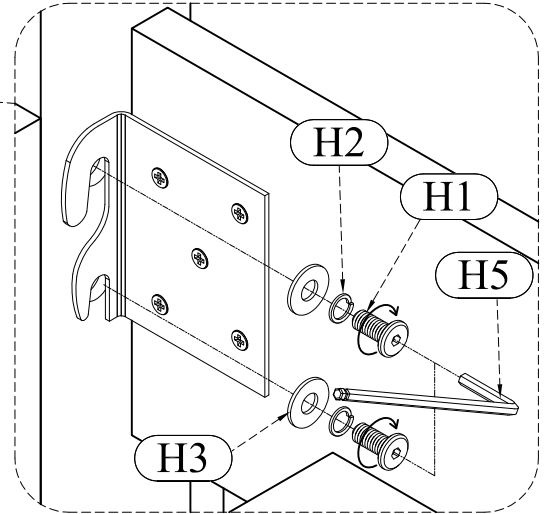
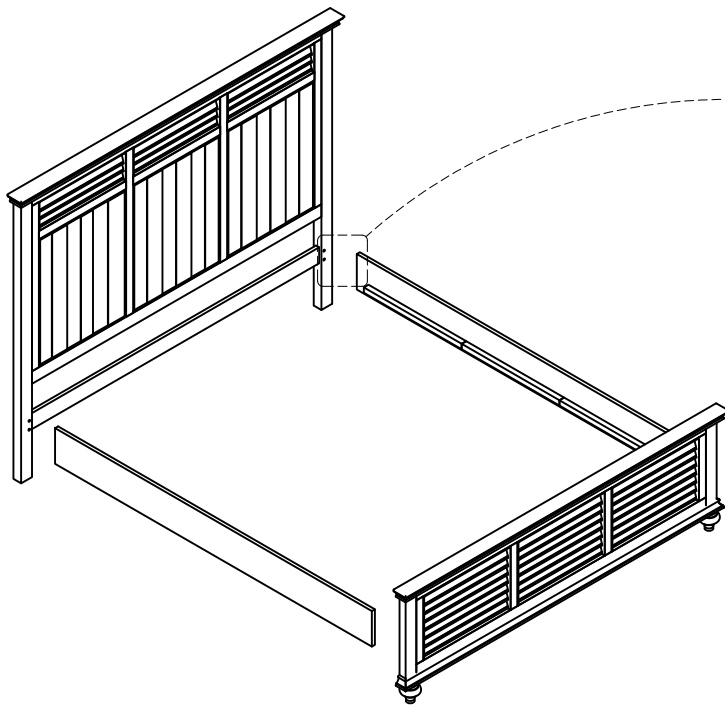
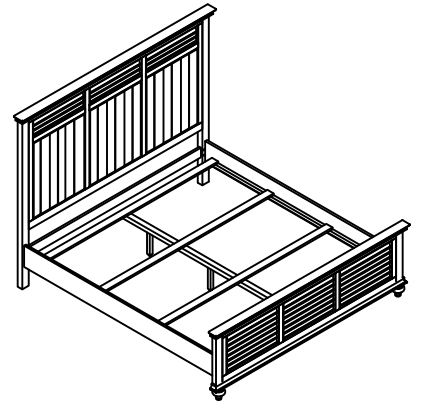


# Assembly Instructions

## Components and Hardware List

 Ø8 x 20mm Allen Head Bolt <b>(H1)</b> 8 pcs.	 Ø9 x Ø13mm Spring Washer <b>(H2)</b> 8 pcs.	 Ø8 x Ø20mm Flat Washer <b>(H3)</b> 8 pcs.	 Ø4 x 25mm Wood Screw <b>(H4)</b> 12 pcs.	 4 x 110mm Wrench <b>(H5)</b> 1 pc.
<b>BOX #1</b> A. HEADBOARD 1 PC 	<b>BOX #2</b> B. FOOTBOARD 1 PC C. BED SLATS 4 PCS 	<b>BOX #3</b> D. SIDERAILS 2 PCS E. CENTER SUPPORT 1 PC F. LEG SUPPORTS 3 PCS G. HARDWARE BOX 		



leveling