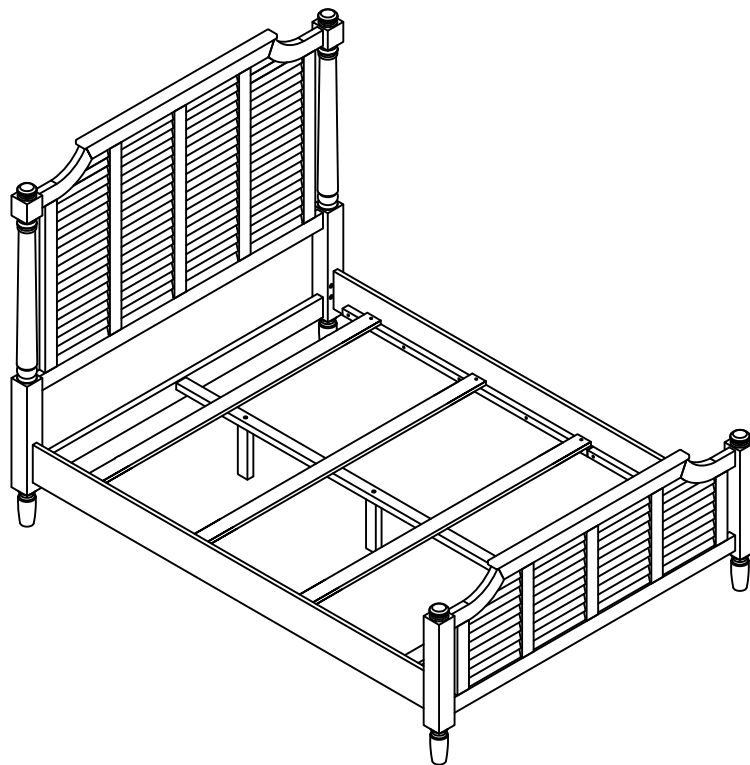
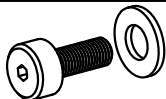
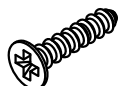
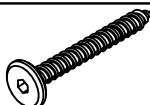


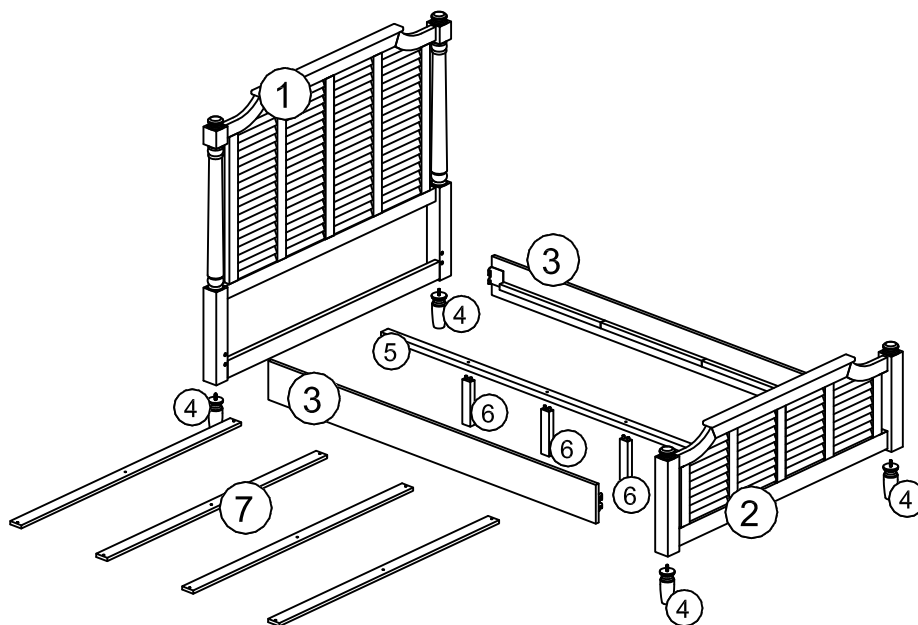






ASSEMBLY INSTRUCTION 1100 COLECTION PANEL BED

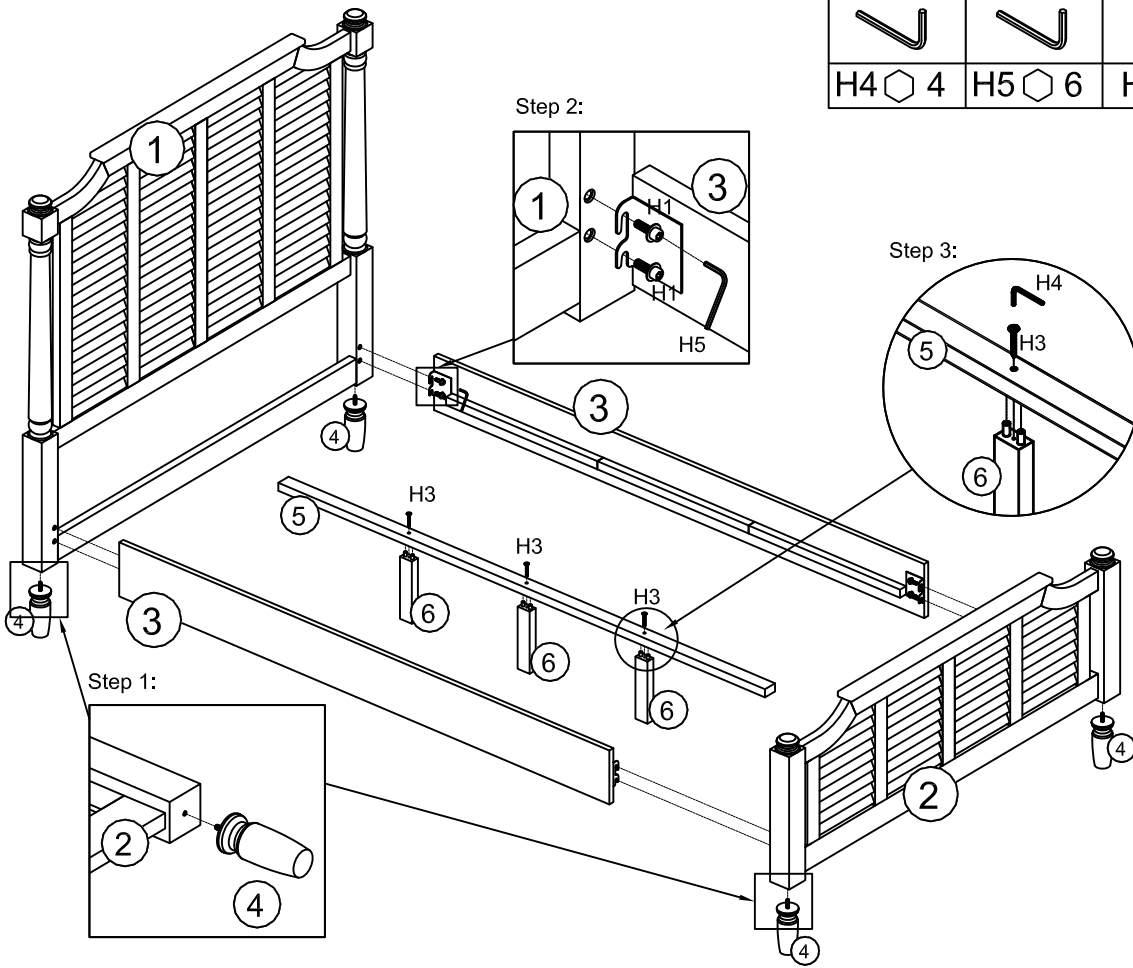


	H1	8 SETS
	H2	12 PCS
	H3	3 PCS
	H4	1 PC ◻ 4
	H5	1 PC ◻ 6




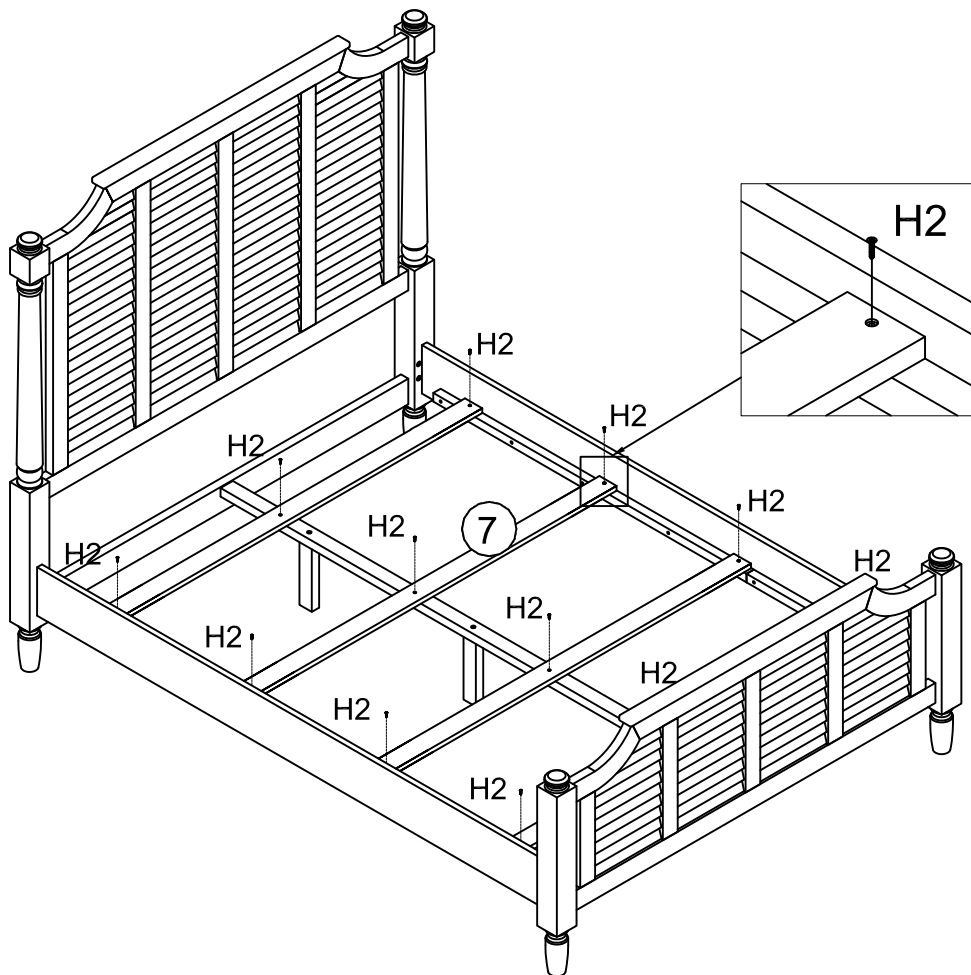
1 →

			
H4 \square 4	H5 \square 6	H1x 8	H3 x 3



2 →


H2 x 12



MIRROR

1100 MR

Assembly Instructions

Made in Viet Nam

Components and Hardware List

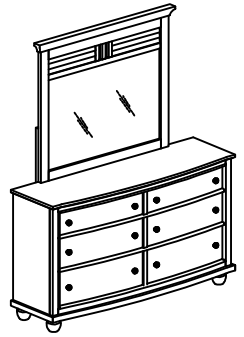
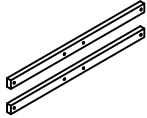
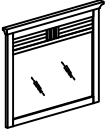
Ø4 x 35mm
Wood Screw



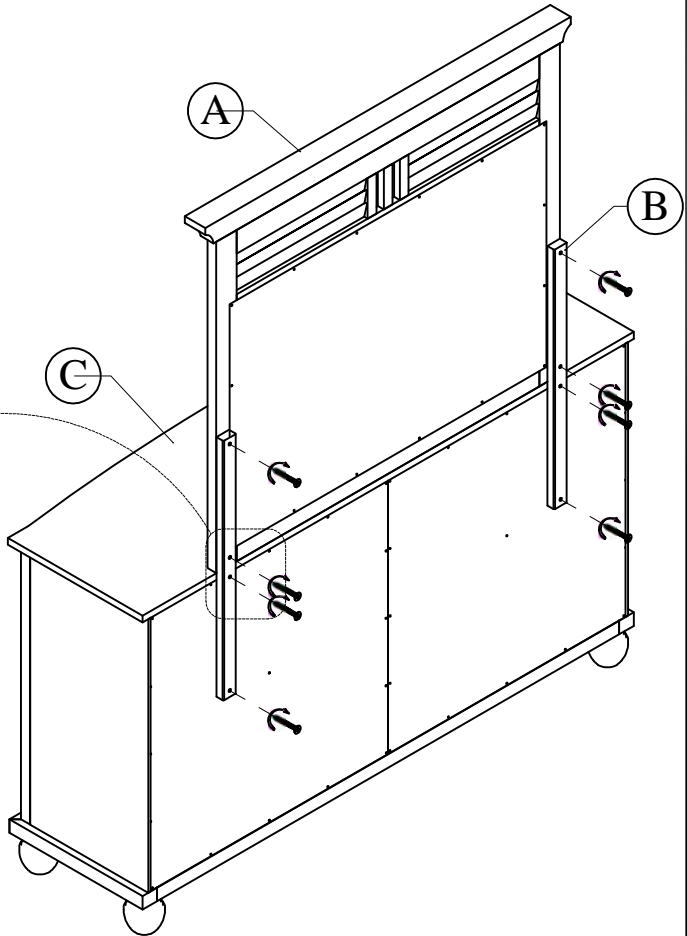
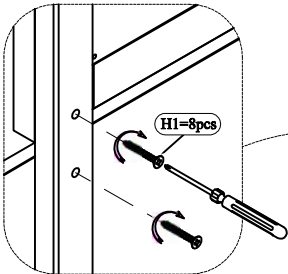
A. MIRROR 1 PC

B. Back support 2 PC

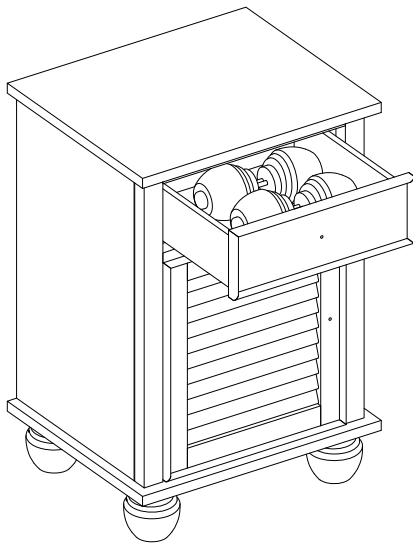
C. DRESSER 1 PC





OPTION 1



Thank you for purchasing this quality product. Be sure to check all packing material carefully for small parts they may have come loose inside the carton during shipment.

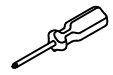


ITEM:			
No	Description	Sketch	Quantity
A	Furniture tipping restraint		1set
B	Leg (inside drawer)		4pcs

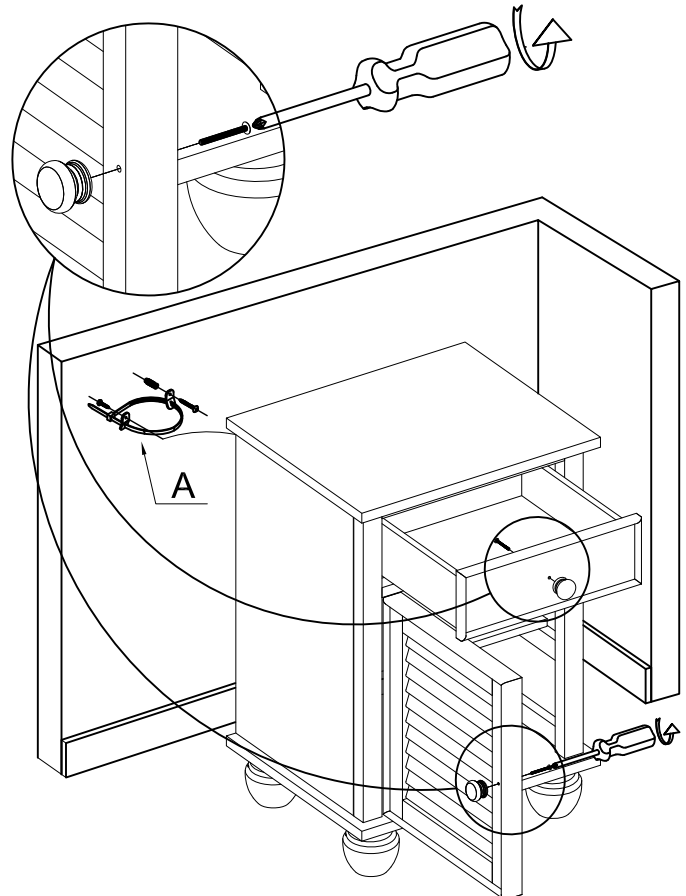
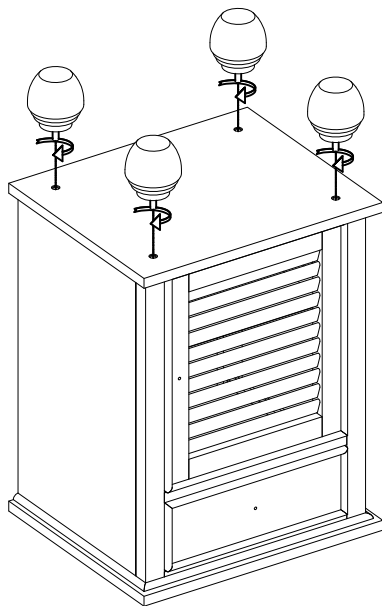
TOOLS REQUIRED (NOT PROVIDED)

Phillips screwdriver to install furniture tipping restraint

Tool:



Screwdrivers



Step 1: Clean your surface area. Put a clean blanket on the surface area to avoid putting scratches on the top of your end table.

Step 2: Put end table upside down on your clean surface area.

Step 3: Attach table legs (B) to the base of the end table by simply turning male threading on leg bolts clockwise into the pilot holes. Attach each leg securely one at a time.

Step 4: After all four legs are securely bolted, have 2 people carefully flip the end table over onto it's legs.

Step 5: For safety, secure the furniture tipping restraint onto the back of your end table and screw into a solid wall. Follow instructions in restraint package and install before using end table.