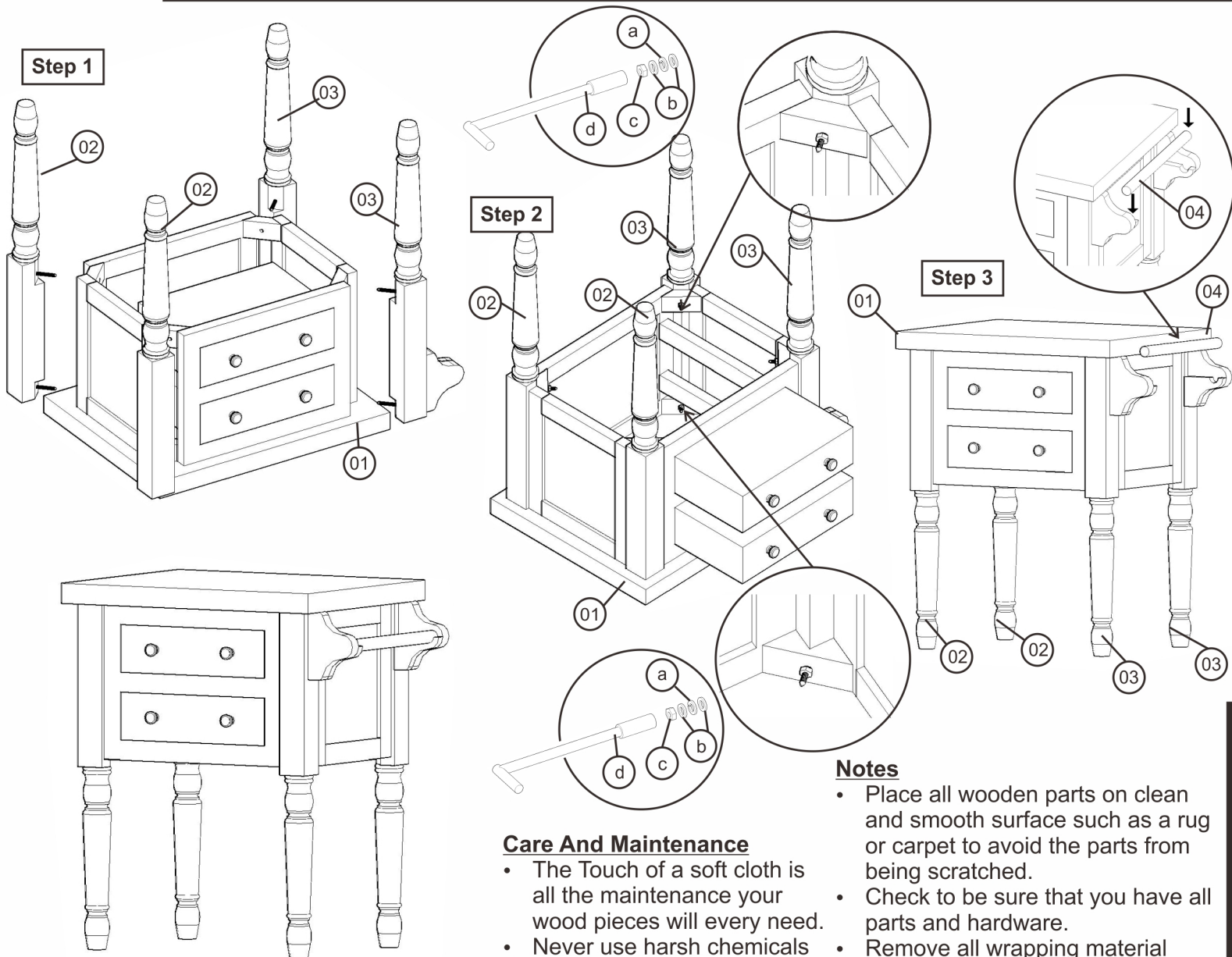


\*\* Pls Check to make sure you have all parts otherwise contact local retailer.

Thank You for purchasing this quality product. It has been engineered for easy assembly yet constructed for durability. Please take time to read and follow the instruction while assembling.

# ASSEMBLY INSTRUCTION

## CODE : TAB 814 SO



### List of Part For 1 Set

Code	Figure	Parts	Qty.
01		Body	1
02		Corner Leg A	2
03		Corner Leg B	2
04		Hanger	1

### List of Hardware For 1 Set

Code	Figure	Parts	Qty.
a		Spring Washer 5/8"	8
b		Flat Washer 7/8"	16
c		Hexagon Nut 5/8"	8
d		L Spanner 5/8"	1

**Assembly Completed !!**

### Care And Maintenance

- The Touch of a soft cloth is all the maintenance your wood pieces will every need.
- Never use harsh chemicals or abrasive cleaner as they could mark or destroy finish.

### Notes

- Place all wooden parts on clean and smooth surface such as a rug or carpet to avoid the parts from being scratched.
- Check to be sure that you have all parts and hardware.
- Remove all wrapping material including staples & packing straps before you start to assemble.



### Important Notes

- Keep all hardware parts out of reach of children.
- Must tighten screws periodically. With use screws will become loose. Check tightness of all screws every 6-8 weeks.
- Don't attempt to repair or modify parts that are broken or defective. Please contact the store immediately.
- Do not tighten all screw / bolt until all completely assembled.