









701 E Industrial Pk Dr
Manchester, NH 03109
sunsettrading.com

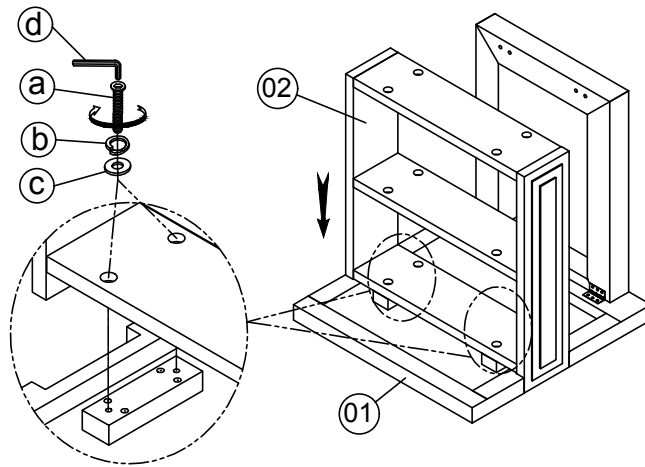
List of Parts For 1 Set

Code	Figure	Part	Qty.
01		Top	1
02		Leg Frame	1
03		Shelf Frame	1
04		Bottom Frame	1

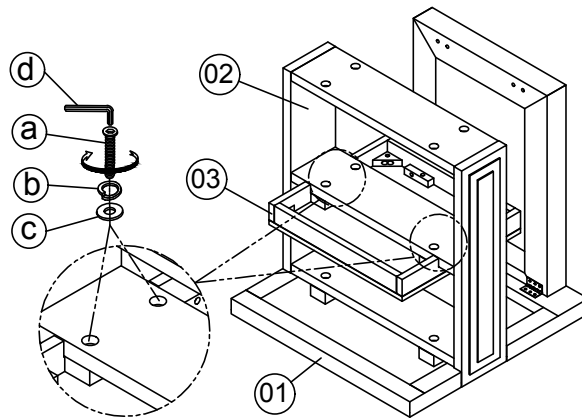
List of Hardware For 1 Set

Code	Figure	Part	Qty.
a		Bolts Φ1/4" x 38mm	14
b		Lock Washers Φ1/4"	14
c		Flat Washers Φ1/4"x19mm	14
d		Allen Wrench M4	1

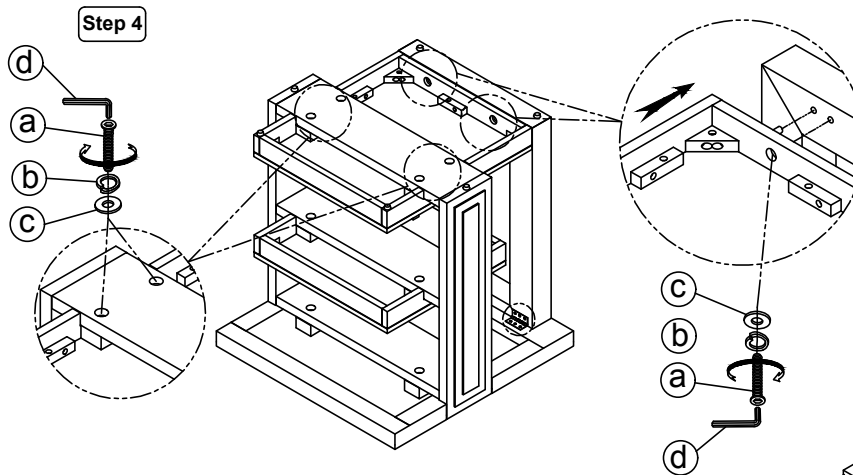
Step 1



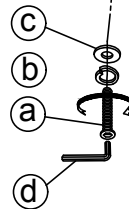
Step 2



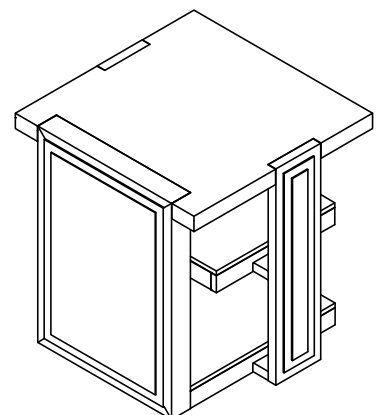
Step 3



Step 4



FINISH ASSEMBLY



MADE IN VIET NAM

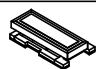



IMPORTANT NOTES:

- Keep all hardware and small parts out of reach of children.
- Remove all staples and packing straps before you start to assemble.
- Do not discard main cartons and wrapping material until assembly is complete.
- Check to be sure you have all parts and hardware.
- Place all wooden parts on a clean soft surface to avoid parts from being scratched
- Do not tighten all screws / bolts until completely assembled.
- Check tightness 3x's/year, with use screws can become loose.
- Do not attempt to repair or modify parts that are broken or defective. Please contact us immediately.
- Enjoy your new furniture!







701 E Industrial Pk Dr
Manchester, NH 03109
sunsettrading.com

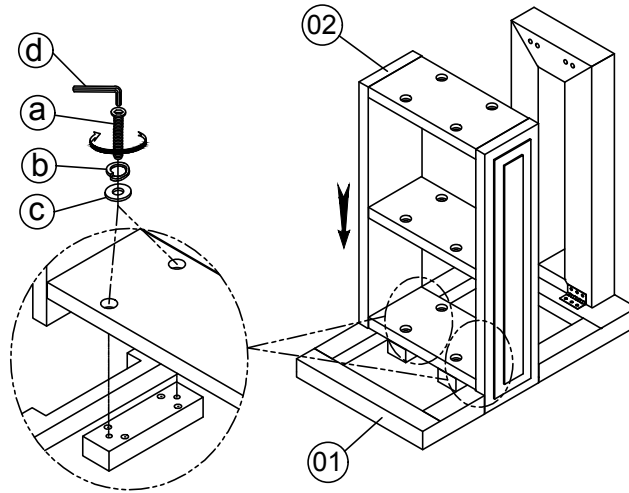
List of Parts For 1 Set

Code	Figure	Part	Qty.
01		Top	1
02		Leg Frame	1
03		Shelf Frame	1
04		Bottom Frame	1

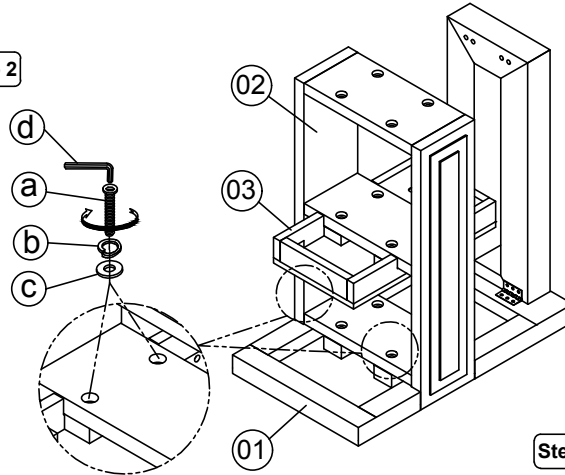
List of Hardware For 1 Set

Code	Figure	Part	Qty.
a		Bolts Φ1/4" x 38mm	14
b		Lock Washers Φ1/4"	14
c		Flat Washers Φ1/4"x19mm	14
d		Allen Wrench M4	1

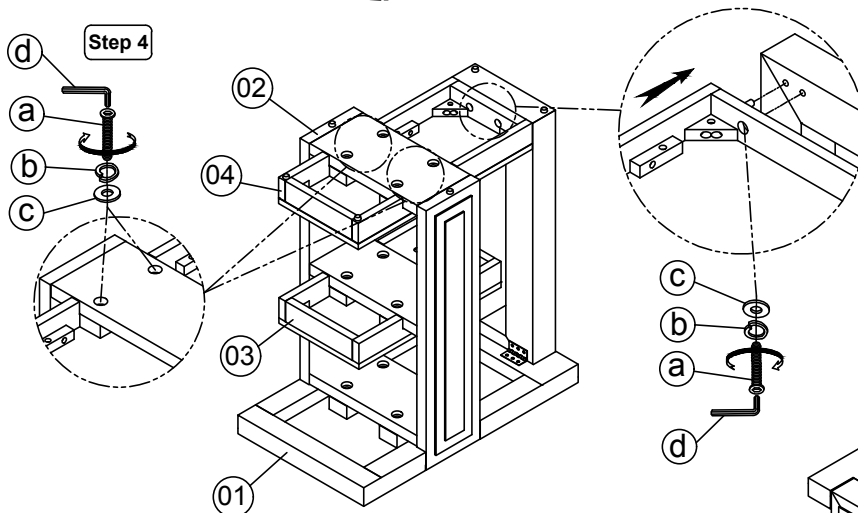
Step 1



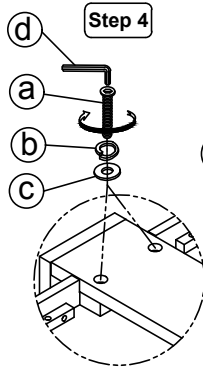
Step 2



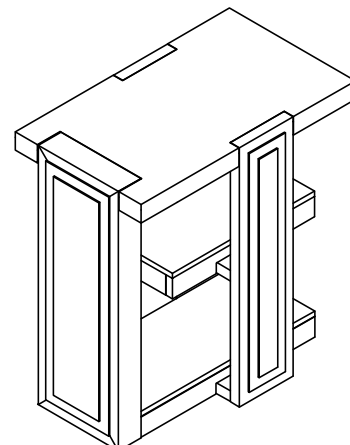
Step 3



Step 4



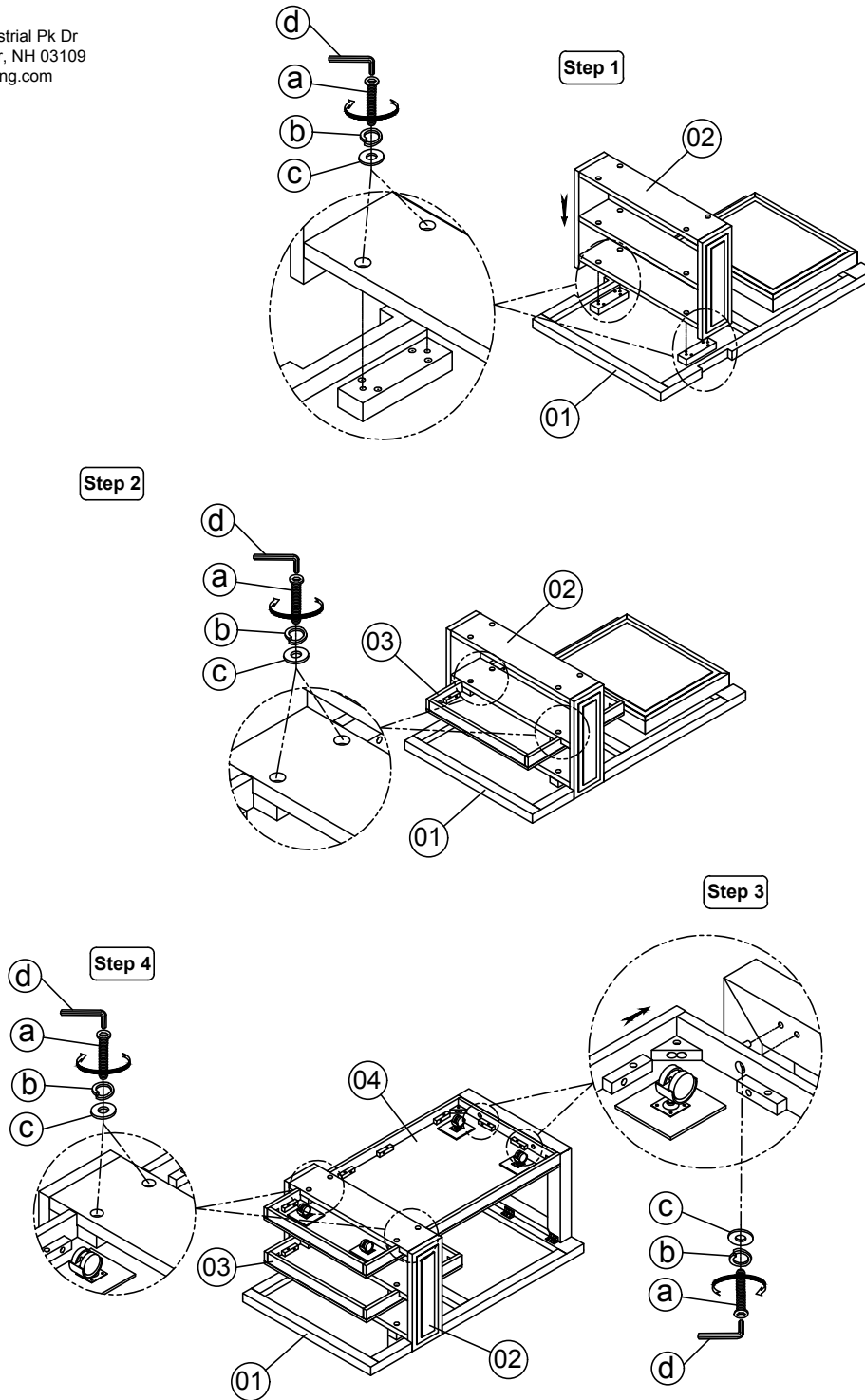
FINISH ASSEMBLY







IMPORTANT NOTES:

- Keep all hardware and small parts out of reach of children.
- Remove all staples and packing straps before you start to assemble.
- Do not discard main cartons and wrapping material until assembly is complete.
- Check to be sure you have all parts and hardware.
- Place all wooden parts on a clean soft surface to avoid parts from being scratched
- Do not tighten all screws / bolts until completely assembled.
- Check tightness 3x's/year, with use screws can become loose.
- Do not attempt to repair or modify parts that are broken or defective. Please contact us immediately.
- Enjoy your new furniture!









List of Parts For 1 Set

Code	Figure	Part	Qty.
01		Top	1
02		Leg Frame	1
03		Shelf Frame	1
04		Bottom Frame	1

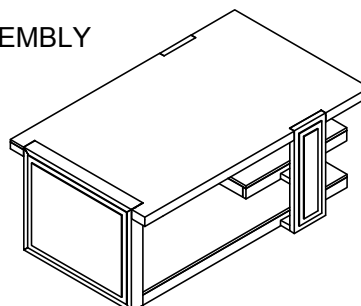
List of Hardware For 1 Set

Code	Figure	Part	Qty.
a		Bolts Φ1/4" x 38mm	14
b		Lock Washers Φ1/4"	14
c		Flat Washers Φ1/4"x19mm	14
d		Allen Wrench M4	1

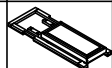



IMPORTANT NOTES:

- Keep all hardware and small parts out of reach of children.
- Remove all staples and packing straps before you start to assemble.
- Do not discard main cartons and wrapping material until assembly is complete.
- Check to be sure you have all parts and hardware.
- Place all wooden parts on a clean soft surface to avoid parts from being scratched
- Do not tighten all screws / bolts until completely assembled.
- Check tightness 3x's/year, with use screws can become loose.
- Do not attempt to repair or modify parts that are broken or defective. Please contact us immediately.
- Enjoy your new furniture!





FINISH ASSEMBLY

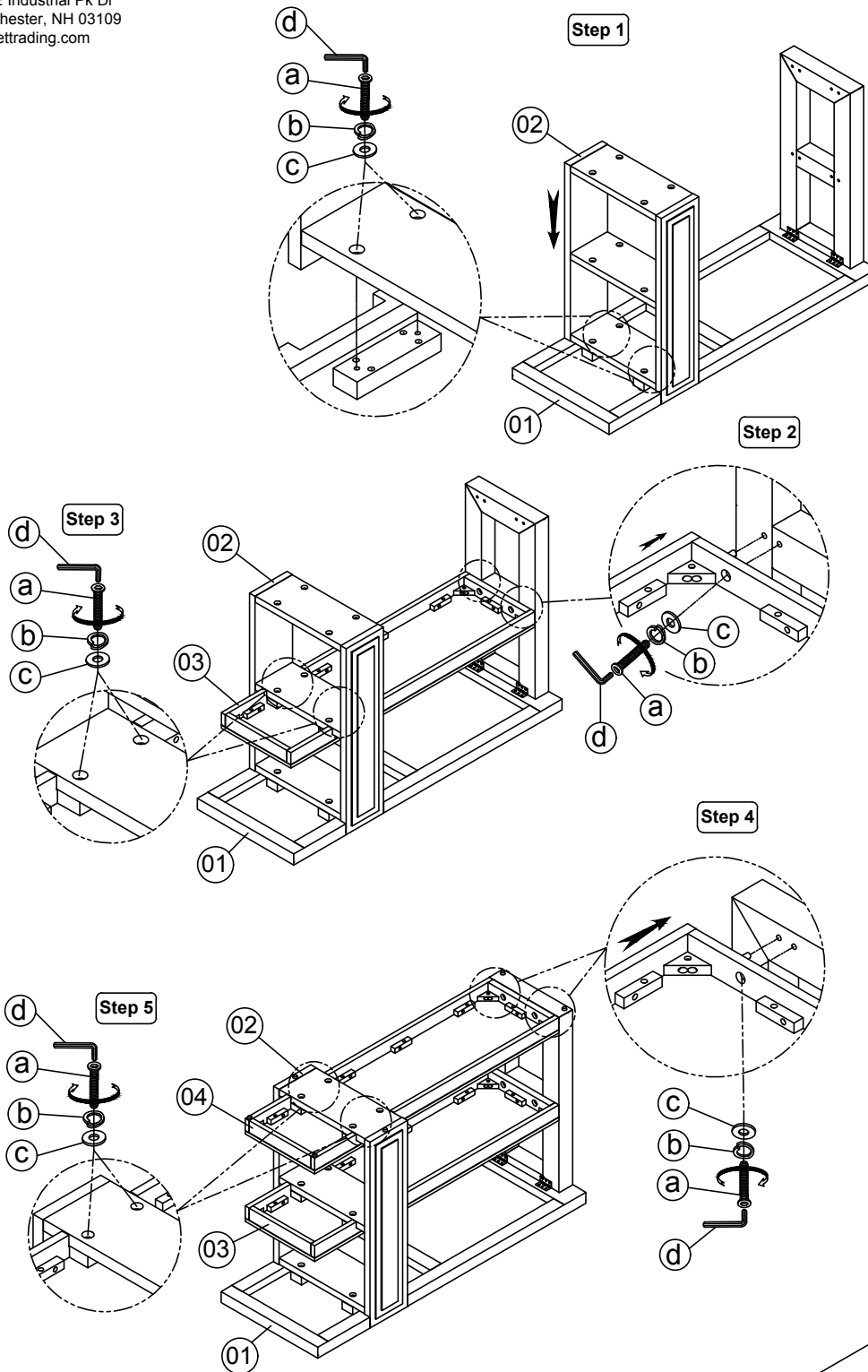


List of Parts For 1 Set

Code	Figure	Part	Qty.
01		Top	1
02		Leg Frame	1
03		Shelf Frame	1
04		Bottom Frame	1

List of Hardware For 1 Set

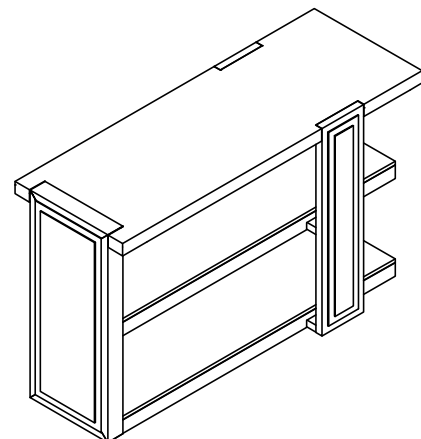
Code	Figure	Part	Qty.
a		Bolts Φ1/4" x 38mm	16
b		Lock Washers Φ1/4"	16
c		Flat Washers Φ1/4"x19mm	16
d		Allen Wrench M4	1



IMPORTANT NOTES:

- Keep all hardware and small parts out of reach of children.
- Remove all staples and packing straps before you start to assemble.
- Do not discard main cartons and wrapping material until assembly is complete.
- Check to be sure you have all parts and hardware.
- Place all wooden parts on a clean soft surface to avoid parts from being scratched
- Do not tighten all screws / bolts until completely assembled.
- Check tightness 3x's/year, with use screws can become loose.
- Do not attempt to repair or modify parts that are broken or defective. Please contact us immediately.
- Enjoy your new furniture!

FINISH ASSEMBLY



MADE IN VIET NAM

