



701 E Industrial Pk Dr  
Manchester, NH 03109  
sunsettrading.com

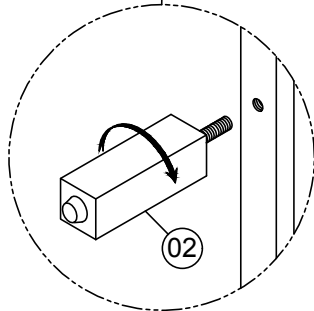
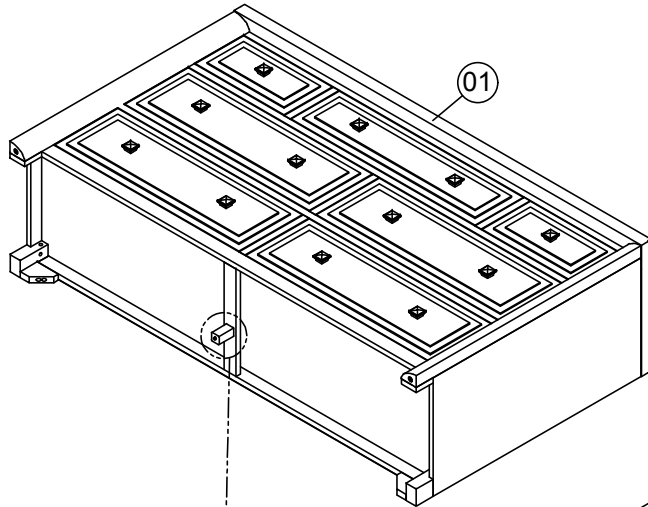
Thank you for purchasing this quality product! It has been engineered for easy assembly yet constructed for durability. Please take the time to read and follow the instructions while assembling.

Please Contact us if you are Missing Parts or have any Questions  
**877-364-8464**  
**info@sunsettrading.com**

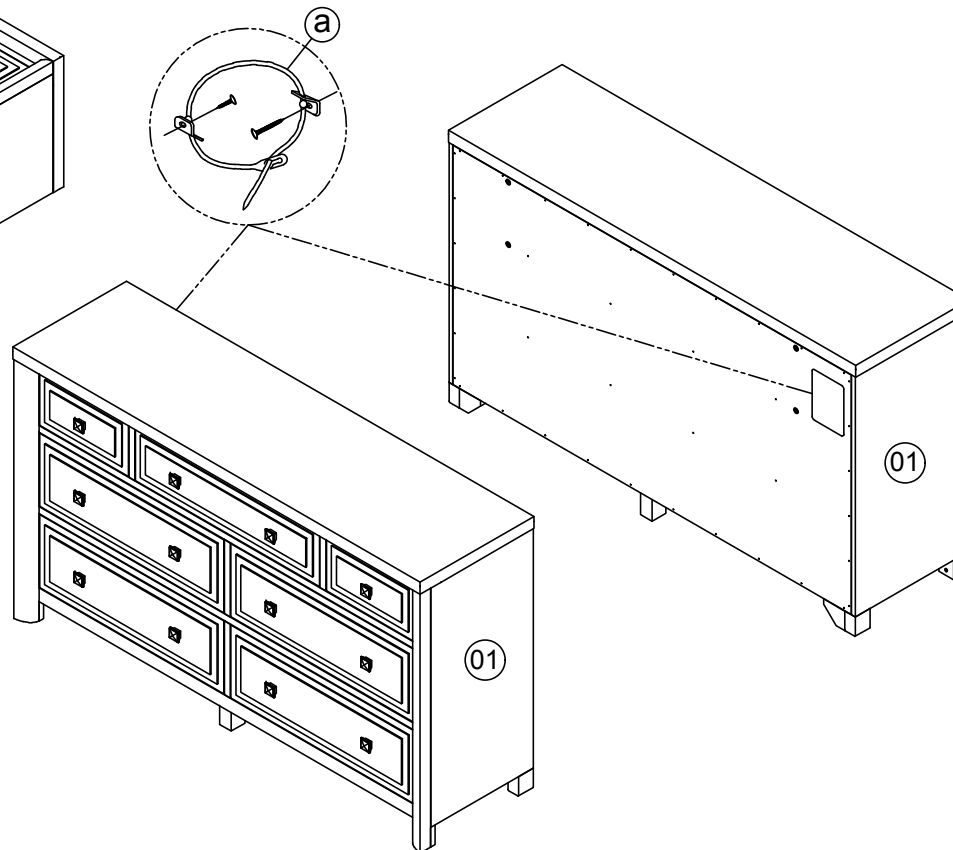
# ASSEMBLY INSTRUCTIONS

SKU: 638-650 DRESSER

## Step 1



## Step 2



### List of Parts For 1 Set

01		Dresser	1
02		Support Leg	1

### List of Hardware For 1 Set

a		Tipping Restraint	1set
---	--	-------------------	------

### ⚠ IMPORTANT NOTES:

- Keep all hardware and small parts out of reach of children.
- Remove all staples and packing straps before you start to assemble.
- Do not discard main cartons and wrapping material until assembly is complete.
- Check to be sure you have all parts and hardware.
- Place all wooden parts on a clean soft surface to avoid parts from being scratched.
- Do not tighten all screws / bolts until completely assembled.
- Check tightness 3x's/year, with use screws can become loose.
- Do not attempt to repair or modify parts that are broken or defective. Please contact us immediately.
- Enjoy your new furniture!

