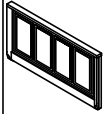
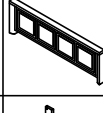











701 E Industrial Pk Dr  
Manchester, NH 03109  
sunsettrading.com




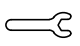

List of Parts For 1 Set

Code	Figure	Part	Qty.
01		Head Board	1
02		Foot Board	1
03		Head Board Left Post	1
04		Head Board Right Post	1
05		Side Rails	2
06		Slats	4
07		Slat Support Legs	4


List of Hardware For (HB) 1 Set

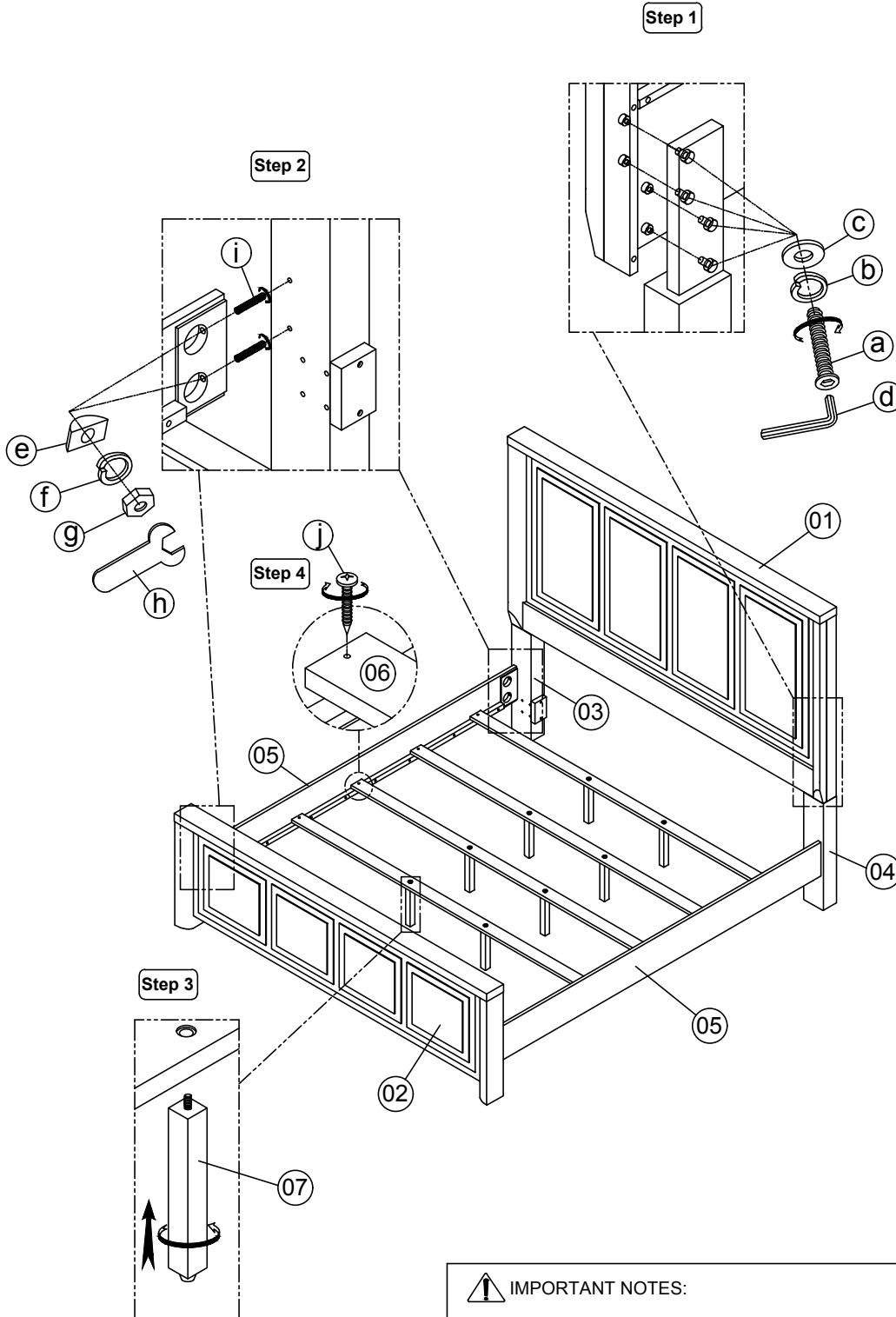
Code	Figure	Part	Qty.
a		Bolts Φ5/16" x 38mm	8
b		Lock Washers Φ5/16"	8
c		Flat Washers Φ5/16"x19mm	8
d		Allen Wrench M4	1

List of Hardware For (SR) 1 Set

Code	Figure	Part	Qty.
e		Half Moon Washers Ø5/16"	8
f		Lock Washers Φ5/16"	8
g		Hex Nuts Φ5/16"	8
h		Open Wrench Ø5/16"	1
i		Hanger Bolts Φ5/16"x89mm	8

List of Hardware For (FB) 1 Set

Code	Figure	Part	Qty.
J		Screws #8*25mm	8



**⚠ IMPORTANT NOTES:**

- Keep all hardware and small parts out of reach of children.
- Remove all staples and packing straps before you start to assemble.
- Do not discard main cartons and wrapping material until assembly is complete.
- Check to be sure you have all parts and hardware.
- Place all wooden parts on a clean soft surface to avoid parts from being scratched.
- Do not tighten all screws / bolts until completely assembled.
- Check tightness 3x's/year, with use screws can become loose.
- Do not attempt to repair or modify parts that are broken or defective. Please contact us immediately.
- Enjoy your new furniture!





701 E Industrial Pk Dr  
Manchester, NH 03109  
sunsettrading.com

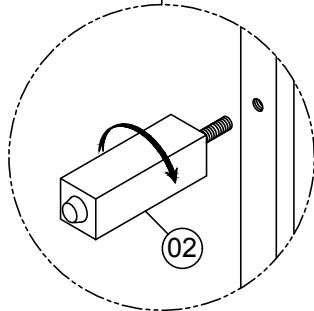
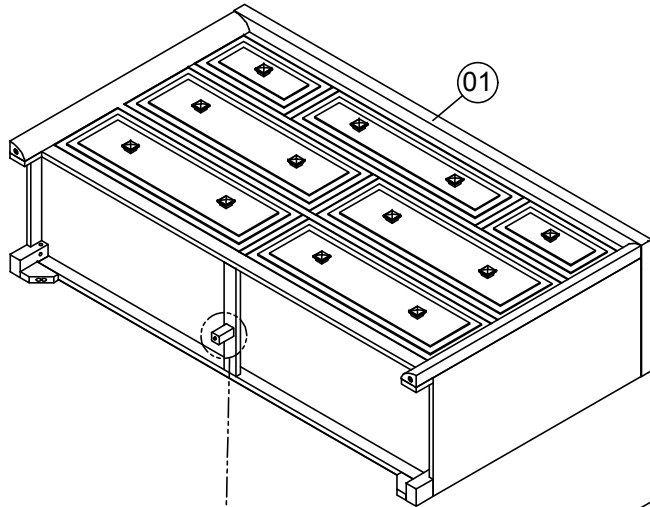
Thank you for purchasing this quality product! It has been engineered for easy assembly yet constructed for durability. Please take the time to read and follow the instructions while assembling.

Please Contact us if you are Missing Parts or have any Questions  
**877-364-8464**  
**info@sunsettrading.com**

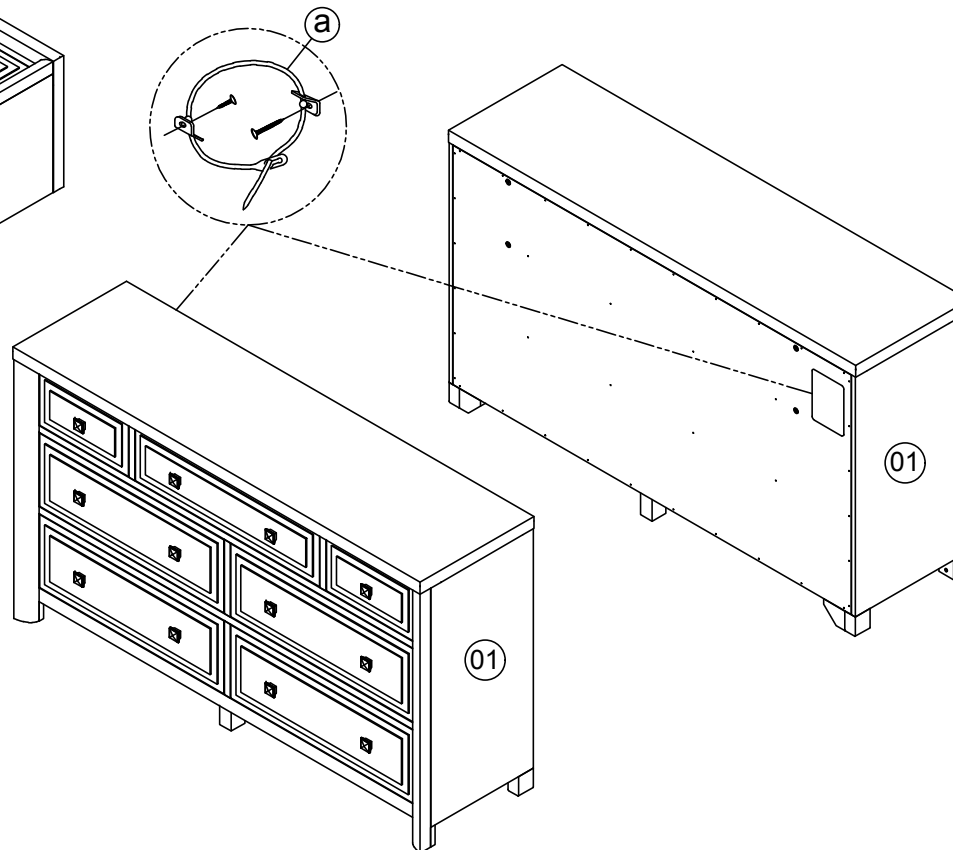
# ASSEMBLY INSTRUCTIONS

SKU: 638-650 DRESSER

## Step 1



## Step 2



### List of Parts For 1 Set

01		Dresser	1
02		Support Leg	1

### List of Hardware For 1 Set

a		Tipping Restraint	1set
---	--	-------------------	------

### ⚠ IMPORTANT NOTES:

- Keep all hardware and small parts out of reach of children.
- Remove all staples and packing straps before you start to assemble.
- Do not discard main cartons and wrapping material until assembly is complete.
- Check to be sure you have all parts and hardware.
- Place all wooden parts on a clean soft surface to avoid parts from being scratched.
- Do not tighten all screws / bolts until completely assembled.
- Check tightness 3x's/year, with use screws can become loose.
- Do not attempt to repair or modify parts that are broken or defective. Please contact us immediately.
- Enjoy your new furniture!





701 E Industrial Pk Dr  
Manchester, NH 03109  
sunsettrading.com

Thank you for purchasing this quality product!  
It has been engineered for easy assembly yet  
constructed for durability.  
Please take the time to read and follow  
the instructions while assembling.

Please Contact us if you are  
Missing Parts or have any Questions  
**877-364-8464**  
**info@sunsettrading.com**

# ASSEMBLY INSTRUCTIONS

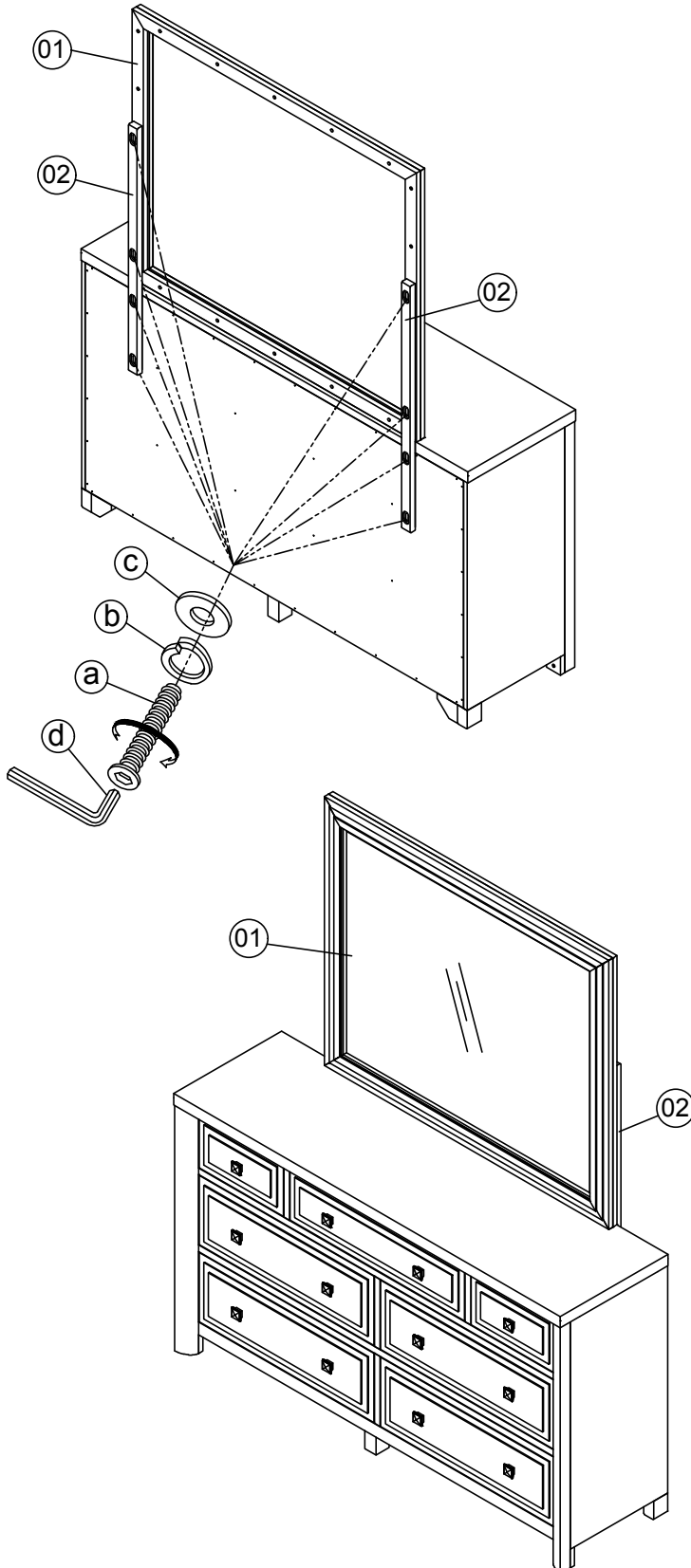
SKU: 638-660 MIRRO

## List of Parts For 1 Set

Code	Figure	Part	Qty.
01		Mirro	1
02		Support Bar	2

## List of Hardware For 1 Set

Code	Figure	Part	Qty.
a		Bolts Φ1/4" x 35mm	8
b		Lock Washers Φ1/4"	8
c		Flat Washers Φ1/4"x19mm	8
d		Allen Wrench M4	1



### IMPORTANT NOTES:

- Keep all hardware and small parts out of reach of children.
- Remove all staples and packing straps before you start to assemble.
- Do not discard main cartons and wrapping material until assembly is complete.
- Check to be sure you have all parts and hardware.
- Place all wooden parts on a clean soft surface to avoid parts from being scratched
- Do not tighten all screws / bolts until completely assembled.
- Check tightness 3x's/year, with use screws can become loose.
- Do not attempt to repair or modify parts that are broken or defective. Please contact us immediately.
- Enjoy your new furniture!



MADE IN VIET NAM



701 E Industrial Pk Dr  
Manchester, NH 03109  
sunsettrading.com

Thank you for purchasing this quality product! It has been engineered for easy assembly yet constructed for durability. Please take the time to read and follow the instructions while assembling.

Please Contact us if you are Missing Parts or have any Questions  
877-364-8464  
info@sunsettrading.com


# ASSEMBLY INSTRUCTIONS

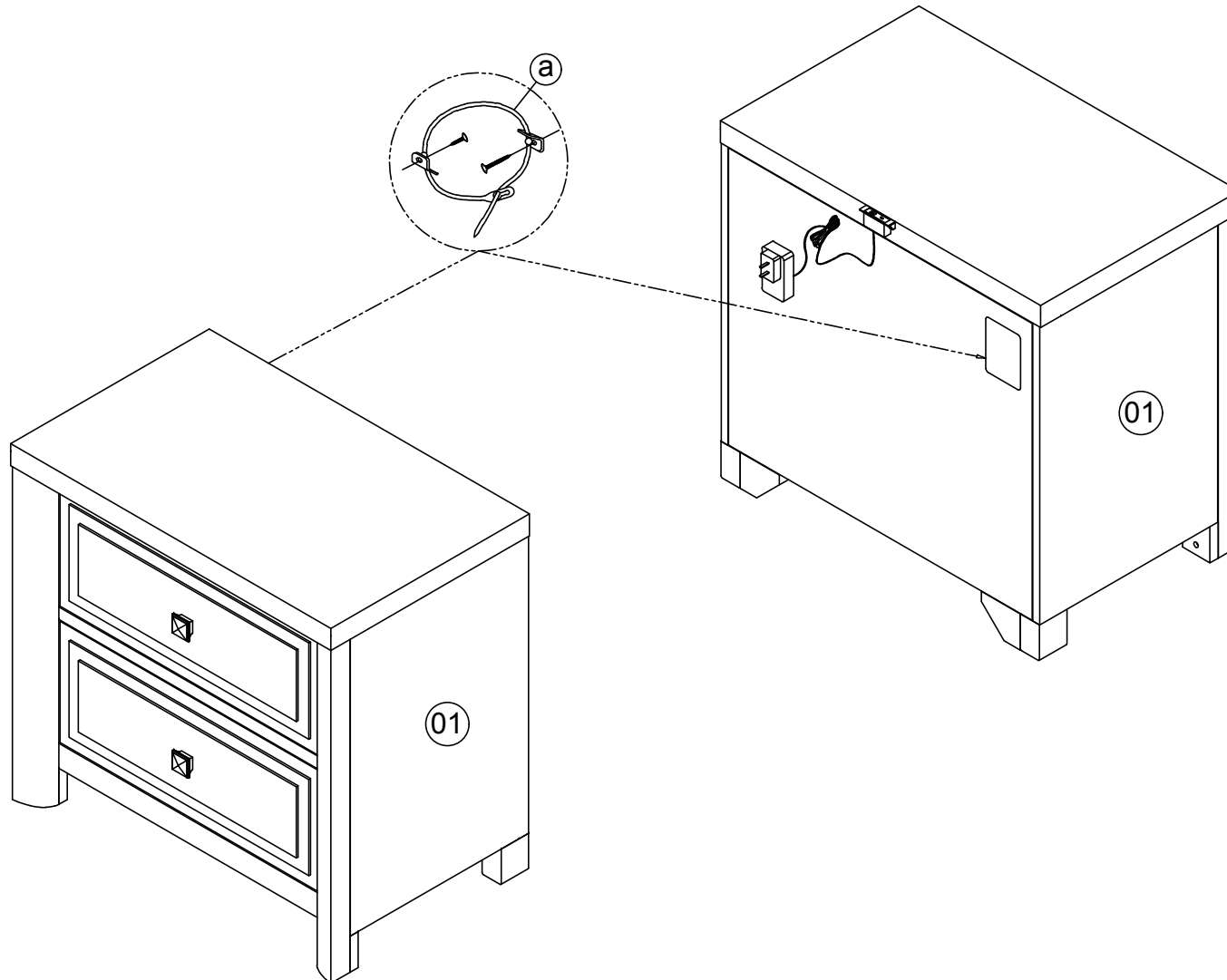
SKU: 638-670 NIGHT STAND

### List of Parts For 1 Set

01		Night Stand	1
----	---	-------------	---

### List of Hardware For 1 Set

a		Tipping Restraint	1set
---	---	-------------------	------



### ⚠ IMPORTANT NOTES:

- Keep all hardware and small parts out of reach of children.
- Remove all staples and packing straps before you start to assemble.
- Do not discard main cartons and wrapping material until assembly is complete.
- Check to be sure you have all parts and hardware.
- Place all wooden parts on a clean soft surface to avoid parts from being scratched.
- Do not tighten all screws / bolts until completely assembled.
- Check tightness 3x/year, with use screws can become loose.
- Do not attempt to repair or modify parts that are broken or defective. Please contact us immediately.
- Enjoy your new furniture!





701 E Industrial Pk Dr  
Manchester, NH 03109  
sunsettrading.com

Thank you for purchasing this quality product! It has been engineered for easy assembly yet constructed for durability. Please take the time to read and follow the instructions while assembling.

Please Contact us if you are Missing Parts or have any Questions  
**877-364-8464**  
info@sunsettrading.com

# ASSEMBLY INSTRUCTIONS

SKU: 638-681 DRAWER CHEST

### List of Parts For 1 Set

01		Drawer Chest	1
02		Jewelry Tray	1

### List of Hardware For 1 Set

a		Tipping Restraint	1set
---	--	-------------------	------

**⚠ IMPORTANT NOTES:**

- Keep all hardware and small parts out of reach of children.
- Remove all staples and packing straps before you start to assemble.
- Do not discard main cartons and wrapping material until assembly is complete.
- Check to be sure you have all parts and hardware.
- Place all wooden parts on a clean soft surface to avoid parts from being scratched.
- Do not tighten all screws / bolts until completely assembled.
- Check tightness 3x's/year, with use screws can become loose.
- Do not attempt to repair or modify parts that are broken or defective. Please contact us immediately.
- Enjoy your new furniture!

